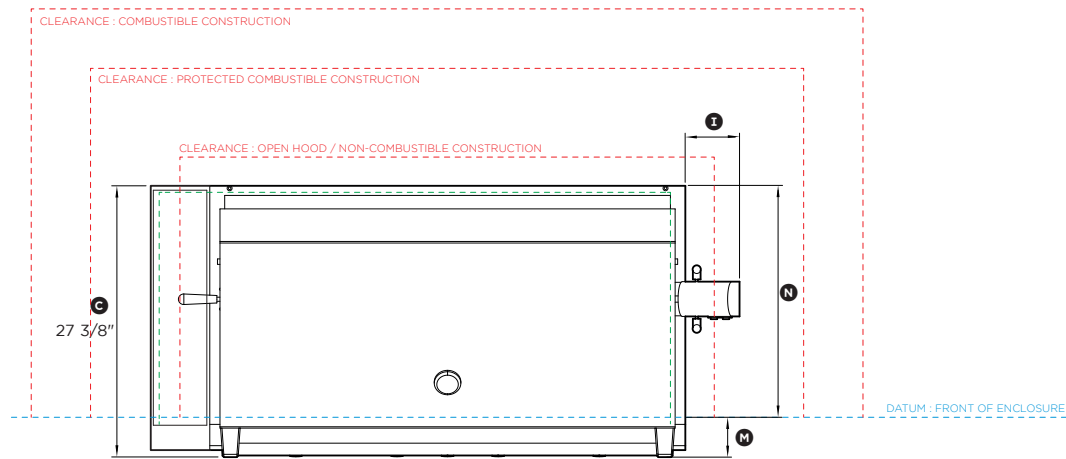
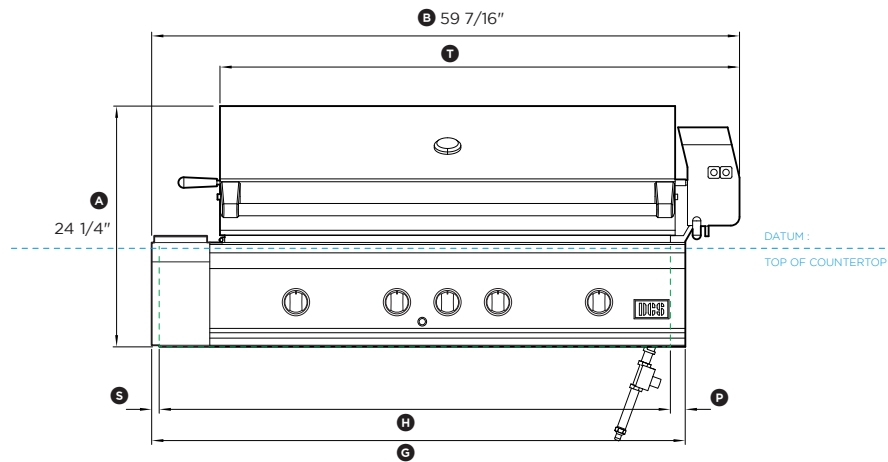


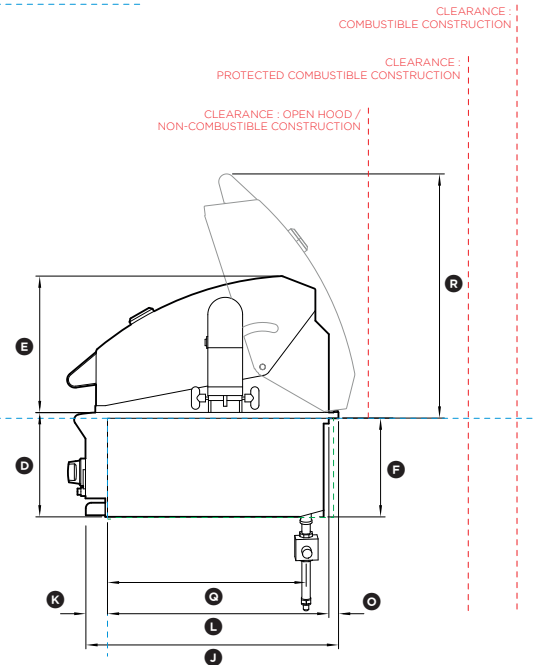
Data sheet



PLAN VIEW



FRONT VIEW



PROFILE VIEW



48" Outdoor Grill

Model no:

BH1-48RI-N, BH1-48RI-L with ASE6-48

(refer page 2 for metric measurements)

Dimensions	in
Ⓐ Overall height of grill	24 1/4"
Ⓑ Overall width of grill	59 7/16"
Ⓒ Overall depth of grill	27 5/16"
Ⓓ Height of chassis	10 1/2"
Ⓔ Height from top of hood to top of chassis	13 3/4"
Ⓕ Height of chassis below countertop	9 15/16"
Ⓖ Overall width of chassis	53 15/16"
Ⓗ Width of chassis inside enclosure	52"
Ⓙ Width from right side of chassis to right side of motor cover	5 1/2"
Ⓚ Depth from control panel to rear of product	25 1/2"
Ⓛ Depth from control panel to front datum	2 3/16"
Ⓜ Depth from front datum to rear of chassis below countertop	22 5/16"
Ⓝ Depth from front of product to front datum	4 1/16"
Ⓞ Depth from rear of product to front datum	23 5/16"
Ⓟ Depth of rear flange	1"
Ⓠ Width of side flanges	1 9/16"
Ⓡ Distance from center of gas inlet to front datum	20 1/16"
Ⓢ Height from top of open hood to top of countertop	23 3/4"
Ⓣ Width of left side flange	13/16"
Ⓤ Overall width of grill without grip	52 3/8"

Minimum Clearances	in
Overall width of cavity	52 1/8"
Overall depth of cavity	22 3/4"
Overall height of cavity	10 1/8"
Clearance to combustible construction*	18"
Clearance to protected combustible construction*	12"
Clearance to non-combustible construction*	3"

* Minimum clearance measured from grill base.

NOTE: See installation manual for full installation requirements and definitions.

INDICATES CUTOUT
 INDICATES PRODUCT DATUM
 INDICATES CLEARANCES

DATE: 09.12.2022

90002896A

IMPORTANT NOTE: Throughout this guide, dimensions may vary by ±2mm (1/16"). Please read the installation manual for detailed information on installing the product. For full installation instructions & specifications visit www.dcsappliances.com

DCS

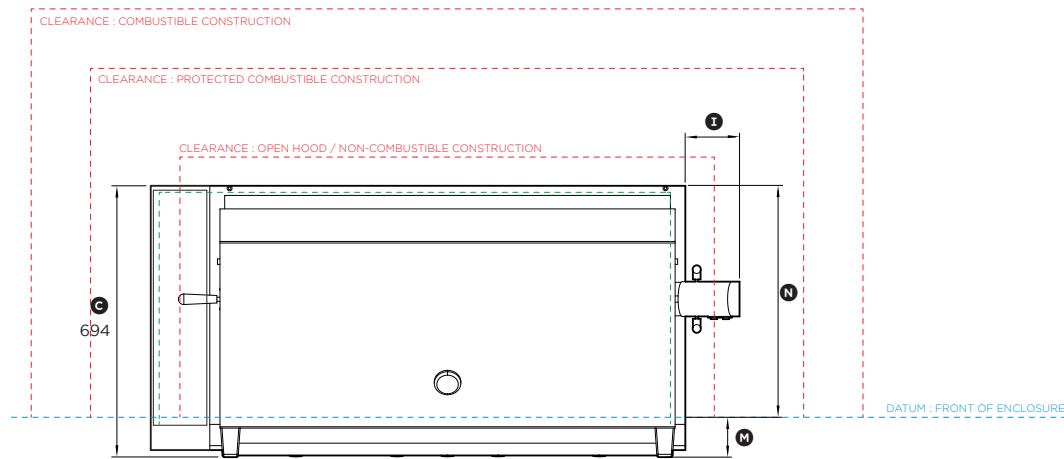
Data sheet

48" Outdoor Grill

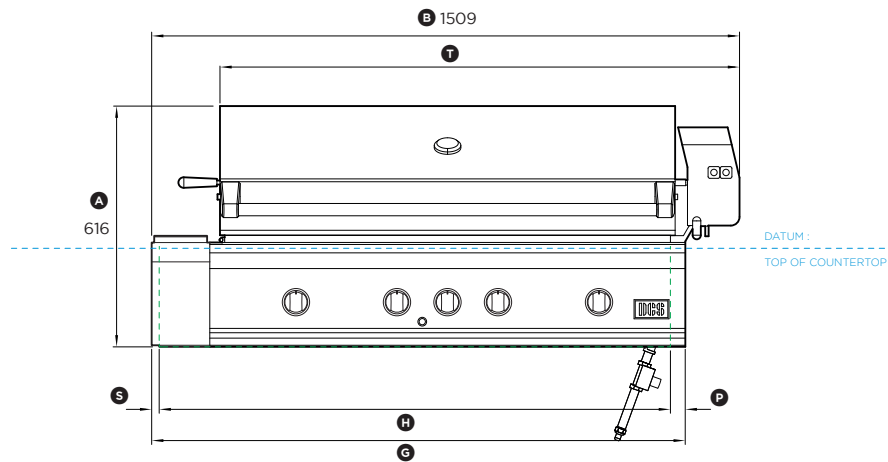
Model no:

BH1-48RI-N, BH1-48RI-L with ASE6-48

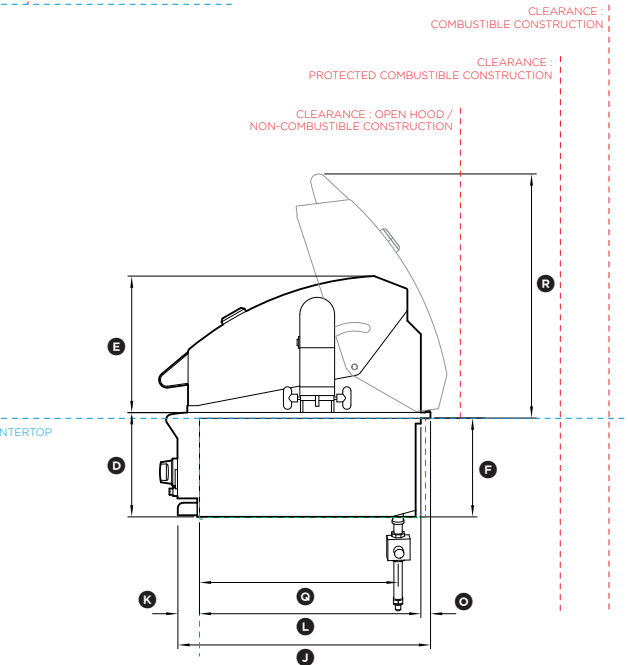
(refer page 1 for imperial measurements)



PLAN VIEW



FRONT VIEW



PROFILE VIEW

Dimensions	mm
Ⓐ Overall height of grill	616
Ⓑ Overall width of grill	1509
Ⓒ Overall depth of grill	694
Ⓓ Height of chassis	267
Ⓔ Height from top of hood to top of chassis	349
Ⓕ Height of chassis below countertop	252
Ⓖ Overall width of chassis	1370
Ⓗ Width of chassis inside enclosure	1320
Ⓛ Width from right side of chassis to right side of motor cover	139
Ⓜ Depth from control panel to rear of product	647
Ⓝ Depth from control panel to front datum	56
Ⓟ Depth from front datum to rear of chassis below countertop	567
Ⓠ Depth from front of product to front datum	103
Ⓡ Depth from rear of product to front datum	592
Ⓢ Depth of rear flange	25
Ⓣ Width of side flanges	39
Ⓤ Distance from center of gas inlet to front datum	509
Ⓡ Height from top of open hood to top of countertop	618
Ⓢ Width of left side flange	20
Ⓣ Overall width of grill without grip	1330

Minimum Clearances	mm
Overall width of cavity	1324
Overall depth of cavity	578
Overall height of cavity	257
Clearance to combustible construction*	457
Clearance to protected combustible construction*	305
Clearance to non-combustible construction*	76

* Minimum clearance measured from grill base.

NOTE: See installation manual for full installation requirements and definitions.

INDICATES CUTOUT
 INDICATES PRODUCT DATUM
 INDICATES CLEARANCES

DATE: 09.12.2022

90002896A

IMPORTANT NOTE: Throughout this guide, dimensions may vary by $\pm 2\text{mm}$ (1/16"). Please read the installation manual for detailed information on installing the product. For full installation instructions & specifications visit www.dcsappliances.com



DCS