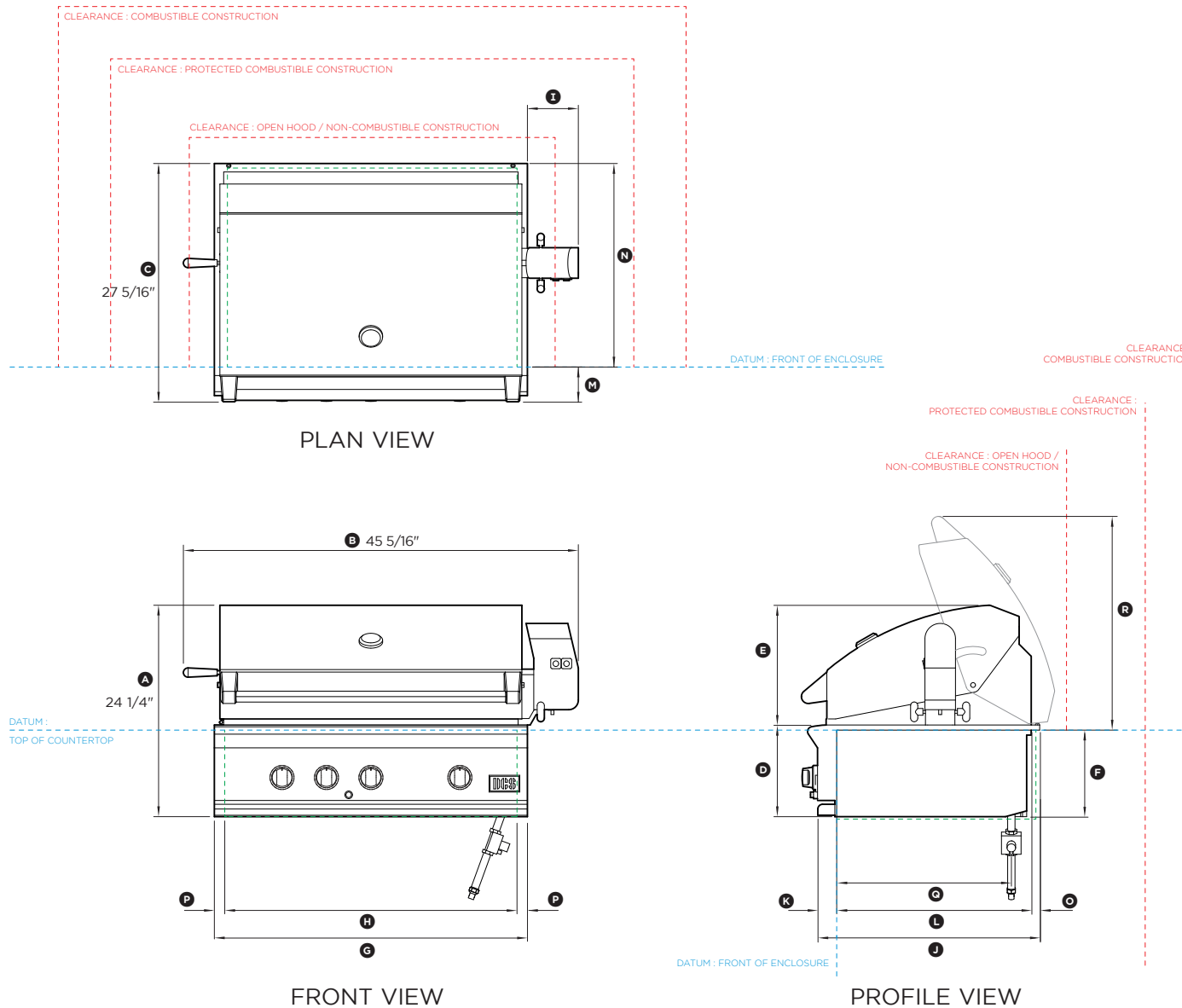


## Data sheet



## 36" Outdoor Grill

Model no:

**BH1-36RI-N, BH1-36RI-L**

(refer page 2 for metric measurements)

Dimensions	in
Ⓐ Overall height of grill	24 1/4"
Ⓑ Overall width of grill	45 5/16"
Ⓒ Overall depth of grill	27 5/16"
Ⓓ Height of chassis	10 1/2"
Ⓔ Height from top of hood to top of chassis	13 3/4"
Ⓕ Height of chassis below countertop	9 15/16"
Ⓖ Overall width of chassis	35 15/16"
Ⓗ Width of chassis inside enclosure	33 11/16"
Ⓘ Width from right side of chassis to right side of motor cover	5 13/16"
Ⓚ Depth from control panel to rear of product	25 1/2"
Ⓛ Depth from control panel to front datum	2 3/16"
Ⓚ Depth from front datum to rear of chassis below countertop	20 1/16"
Ⓜ Depth from front of product to front datum	4 1/16"
Ⓨ Depth from rear of product to front datum	23 5/16"
Ⓩ Depth of rear flange	1"
Ⓟ Width of side flanges	1 1/8"
Ⓢ Distance from center of gas inlet to front datum	20 1/16"
Ⓣ Height from top of open hood to top of countertop	24 5/16"

Minimum Clearances	in
Overall width of cavity	34 1/2"
Overall depth of cavity	22 3/4"
Overall height of cavity	10 1/8"
Clearance to combustible construction*	18"
Clearance to protected combustible construction*	12"
Clearance to non-combustible construction*	3"

\* Minimum clearance measured from grill base.

NOTE: See installation manual for full installation requirements and definitions.

INDICATES CUTOUT .....  
 INDICATES PRODUCT DATUM .....  
 INDICATES CLEARANCES .....

DATE: 09.12.2022

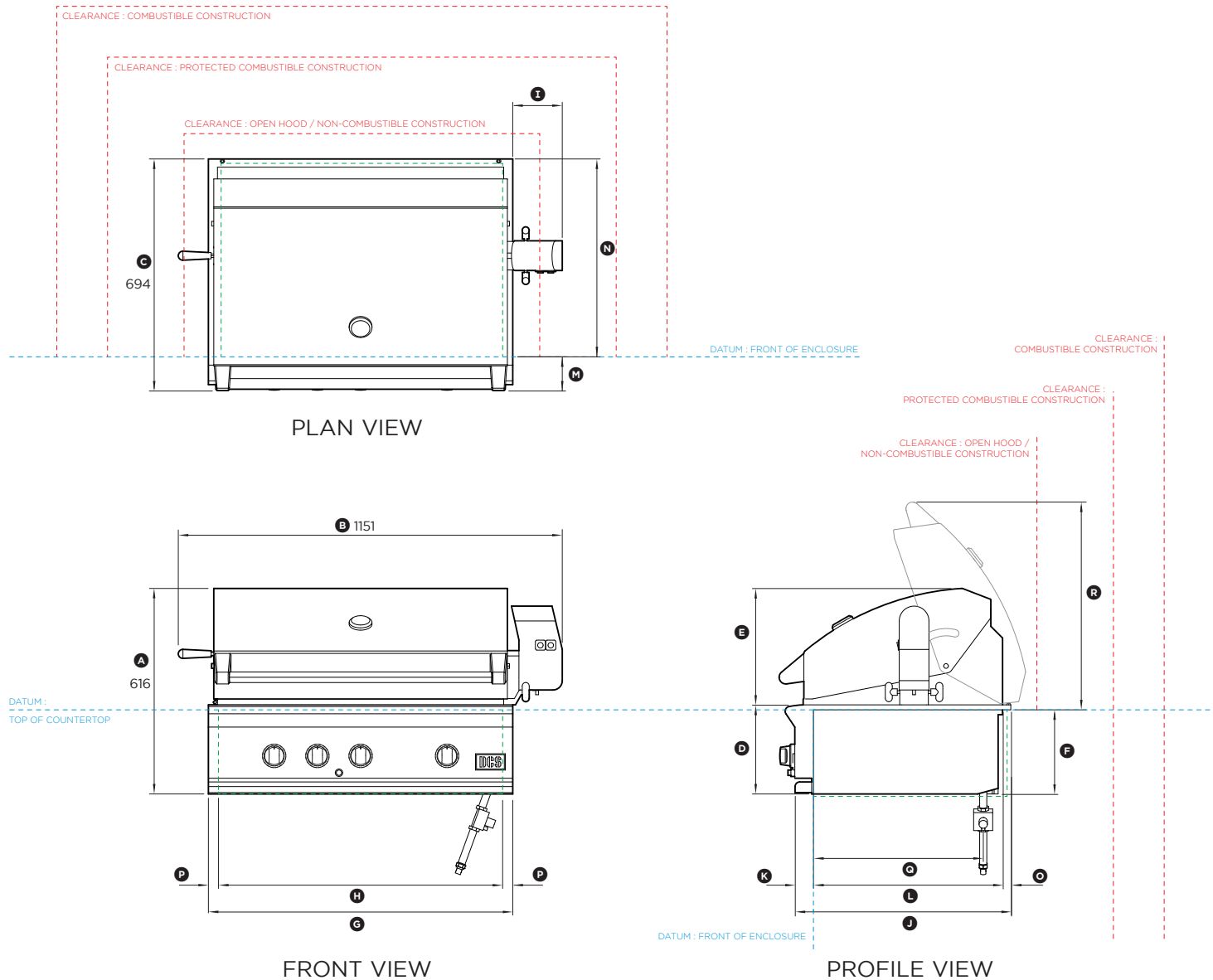
90002897A

IMPORTANT NOTE: Throughout this guide, dimensions may vary by ±2mm (1/16"). Please read the installation manual for detailed information on installing the product. For full installation instructions & specifications visit [www.dcsappliances.com](http://www.dcsappliances.com)



**DCS**

## Data sheet



## 36" Outdoor Grill

Model no:

**BH1-36RI-N, BH1-36RI-L**

(refer page 1 for imperial measurements)

Dimensions	mm
Ⓐ Overall height of grill	616
Ⓑ Overall width of grill	1151
Ⓒ Overall depth of grill	694
Ⓓ Height of chassis	267
Ⓔ Height from top of hood to top of chassis	349
Ⓕ Height of chassis below countertop	252
Ⓖ Overall width of chassis	912
Ⓗ Width of chassis inside enclosure	855
Ⓘ Width from right side of chassis to right side of motor cover	148
Ⓚ Depth from control panel to rear of product	647
Ⓛ Depth from control panel to front datum	55
Ⓜ Depth from front datum to rear of chassis below countertop	509
Ⓝ Depth from front of product to front datum	103
Ⓞ Depth from rear of product to front datum	592
Ⓟ Depth of rear flange	25
Ⓠ Width of side flanges	29
Ⓡ Distance from center of gas inlet to front datum	509
Ⓢ Height from top of open hood to top of countertop	618

Minimum Clearances	mm
Overall width of cavity	876
Overall depth of cavity	578
Overall height of cavity	257
Clearance to combustible construction*	457
Clearance to protected combustible construction*	305
Clearance to non-combustible construction*	76

\* Minimum clearance measured from grill base.

NOTE: See installation manual for full installation requirements and definitions.

INDICATES CUTOUT .....  
 INDICATES PRODUCT DATUM .....  
 INDICATES CLEARANCES .....

DATE: 09.12.2022

90002897A

IMPORTANT NOTE: Throughout this guide, dimensions may vary by  $\pm 2\text{mm}$  (1/16"). Please read the installation manual for detailed information on installing the product. For full installation instructions & specifications visit [www.dcsappliances.com](http://www.dcsappliances.com)

0 100 200 400  
 millimetres

**DCS**