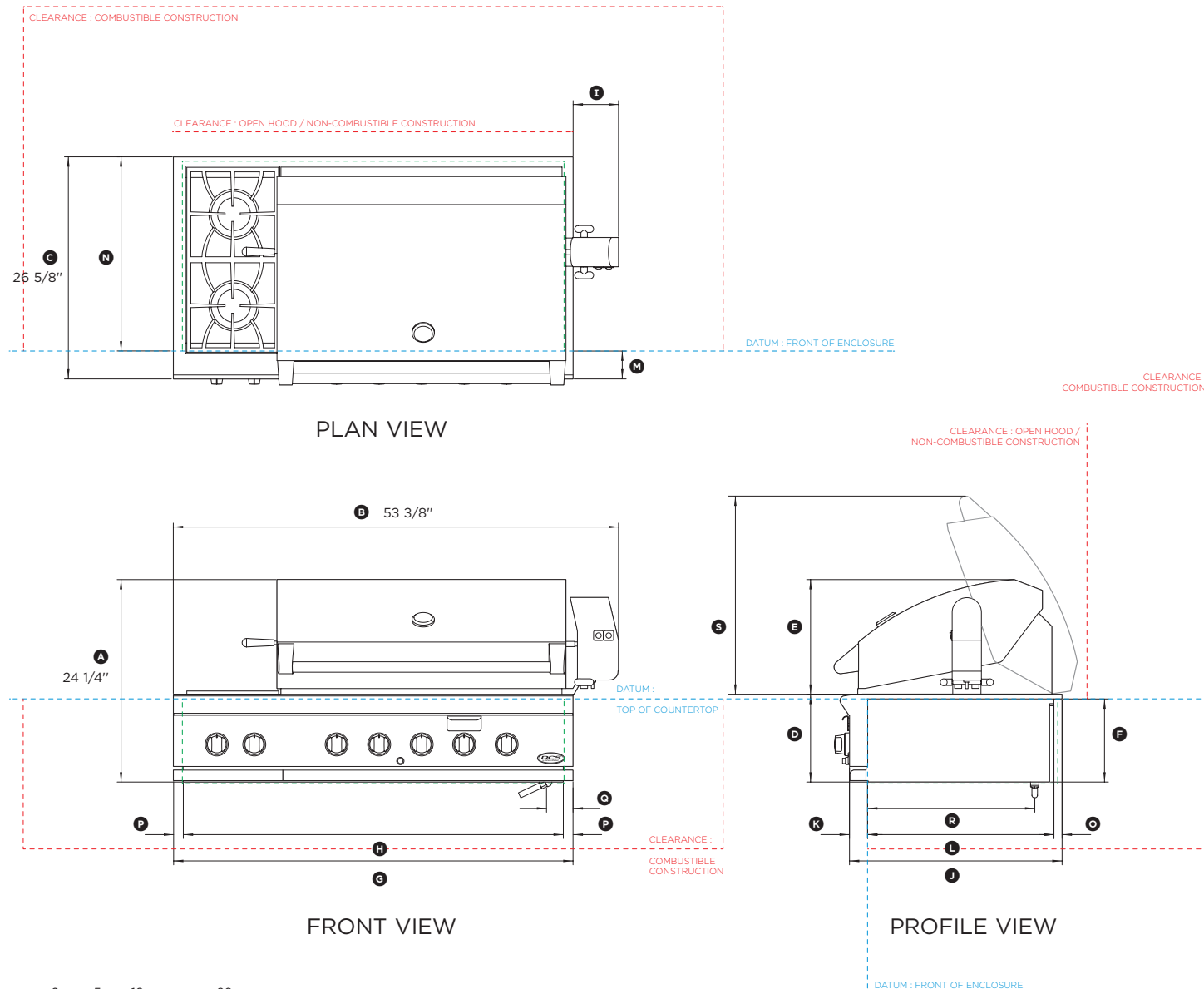


# Data sheet

# 48" Outdoor Grill

Model no:

**BH1-48RS** (refer page 2 for metric measurements)



Dimensions	in
Ⓐ Overall height of grill	24 1/4"
Ⓑ Overall width of grill	53 3/8"
Ⓒ Overall depth of grill (excluding handle and dials)	26 5/8"
Ⓓ Height of chassis	10 1/2"
Ⓔ Height from top of hood to top of chassis	13 3/4"
Ⓕ Height of chassis below countertop	10"
Ⓖ Overall width of chassis	47 15/16"
Ⓗ Width of chassis inside enclosure	45 9/16"
Ⓘ Width from right side of chassis to right side of motor cover	5 7/16"
Ⓚ Depth from control panel to rear of product	25 1/2"
Ⓛ Depth from control panel to front datum	2 3/16"
Ⓚ Depth from front datum to rear of chassis below countertop	22 5/16"
Ⓜ Depth from front of grill to front datum (excluding handle and dials)	3 3/8"
Ⓝ Depth from rear of product to front datum	23 1/4"
Ⓞ Depth of rear flange	1"
Ⓟ Width of side flanges	1 3/16"
Ⓠ Distance from gas inlet to right edge of chassis	3 3/16"
Ⓡ Distance from gas inlet to front datum	20 1/16"
Ⓢ Height from top of open hood to top of chassis	24 5/8"

Minimum Clearances	in
Overall width of cavity	45 3/4"
Overall depth of cavity	22 3/4"
Overall height of cavity	10 1/8"
Clearance from grill chassis to combustible construction	18"
Clearance below countertop to combustible construction	18"
Clearance for hood at rear / non-combustible construction	3"

INDICATES CUTOUT -----  
 INDICATES PRODUCT DATUM -----  
 INDICATES CLEARANCES -----

DATE: **22.02.2016**

IMPORTANT NOTE: Throughout this guide, dimensions may vary by ±2mm (3/32"). Please read the installation manual for detailed information on installing the product. [www.dcsappliances.com](http://www.dcsappliances.com)

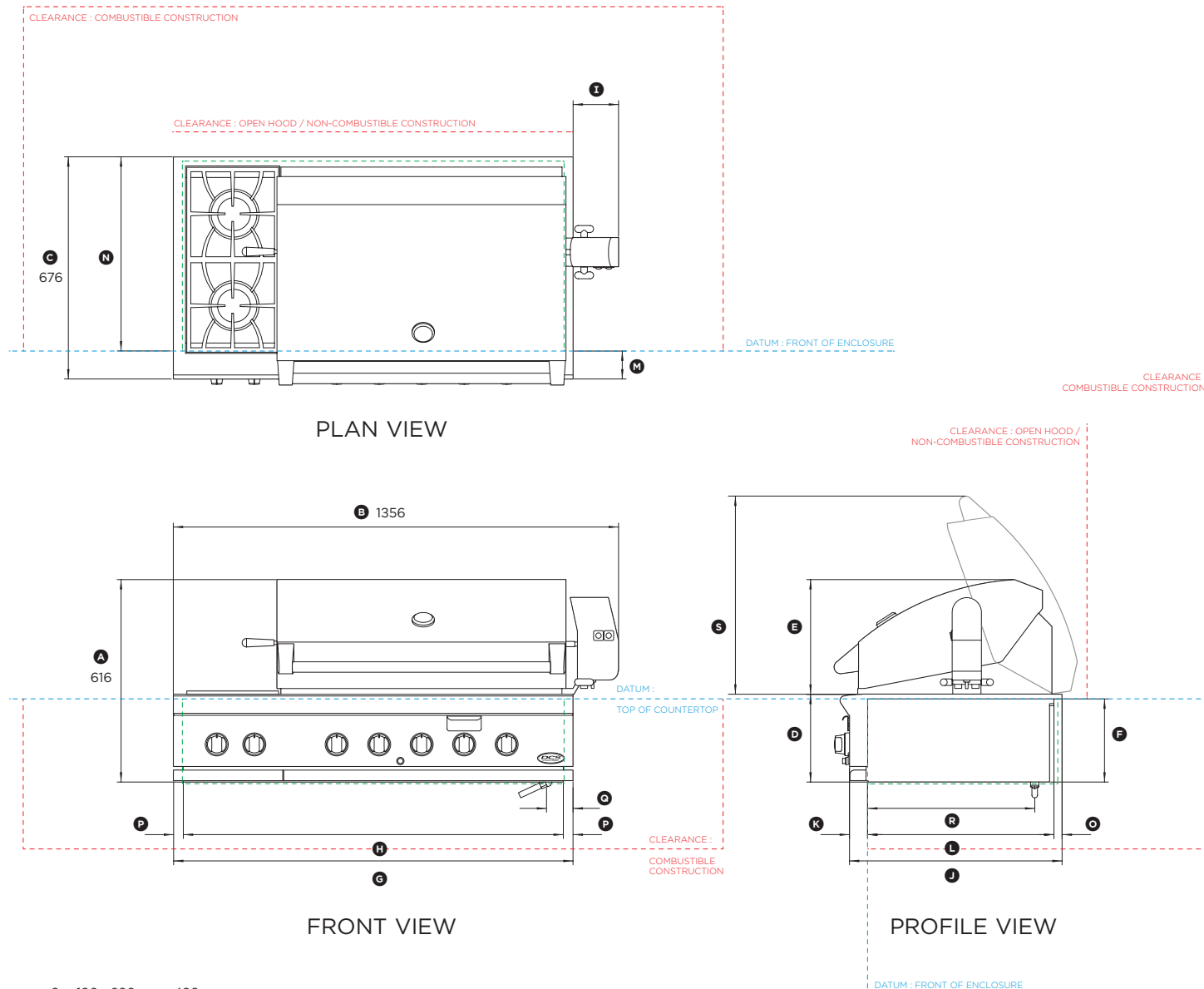


Data sheet

48" Outdoor Grill

Model no:

**BH1-48RS** (refer page 1 for imperial measurements)



Dimensions	mm
Ⓐ Overall height of grill	616
Ⓑ Overall width of grill	1356
Ⓒ Overall depth of grill (excluding handle and dials)	676
Ⓓ Height of chassis	267
Ⓔ Height from top of hood to top of chassis	349
Ⓕ Height of chassis below countertop	254
Ⓖ Overall width of chassis	1217
Ⓗ Width of chassis inside enclosure	1158
Ⓘ Width from right side of chassis to right side of motor cover	139
Ⓚ Depth from control panel to rear of product	647
Ⓛ Depth from control panel to front datum	55
Ⓚ Depth from front datum to rear of chassis below countertop	567
Ⓜ Depth from front of grill to front datum (excluding handle and dials)	85
Ⓝ Depth from rear of product to front datum	591
Ⓞ Depth of rear flange	25
Ⓟ Width of side flanges	29.5
Ⓠ Distance from gas inlet to right edge of chassis	81
Ⓡ Distance from gas inlet to front datum	509
Ⓢ Height from top of open hood to top of chassis	626

Minimum Clearances	mm
Overall width of cavity	1162
Overall depth of cavity	578
Overall height of cavity	257
Clearance from grill chassis to combustible construction	457
Clearance below countertop to combustible construction	457
Clearance for hood at rear / non-combustible construction	76

INDICATES CUTOUT -----  
 INDICATES PRODUCT DATUM -----  
 INDICATES CLEARANCES -----

DATE: 22.02.2016

IMPORTANT NOTE: Throughout this guide, dimensions may vary by ±2mm (3/32"). Please read the installation manual for detailed information on installing the product. [www.dcsappliances.com](http://www.dcsappliances.com)

