

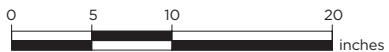
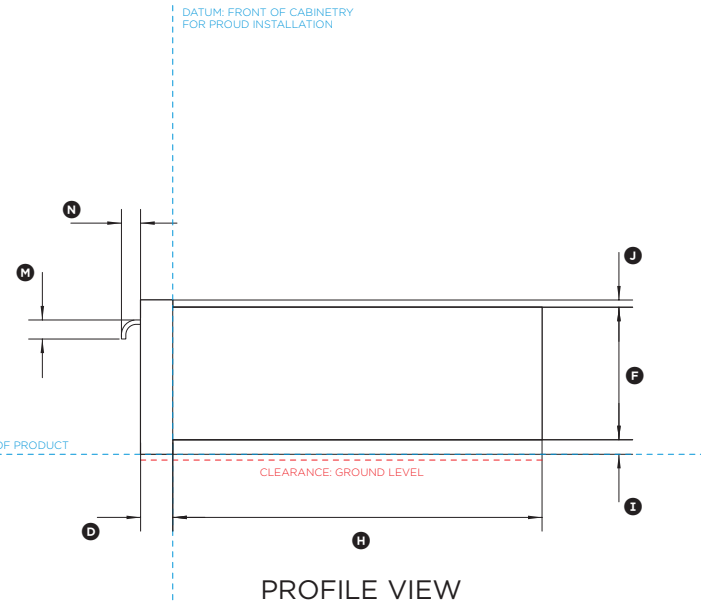
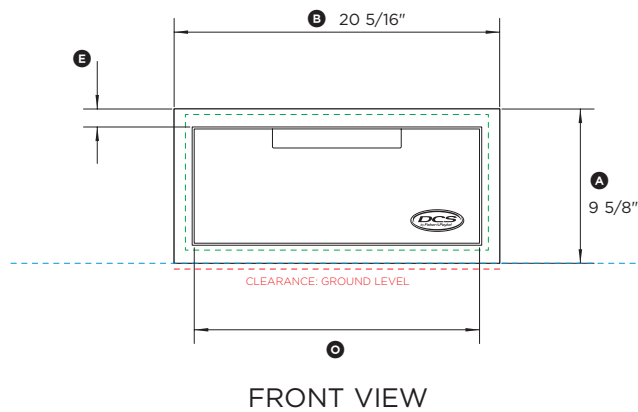
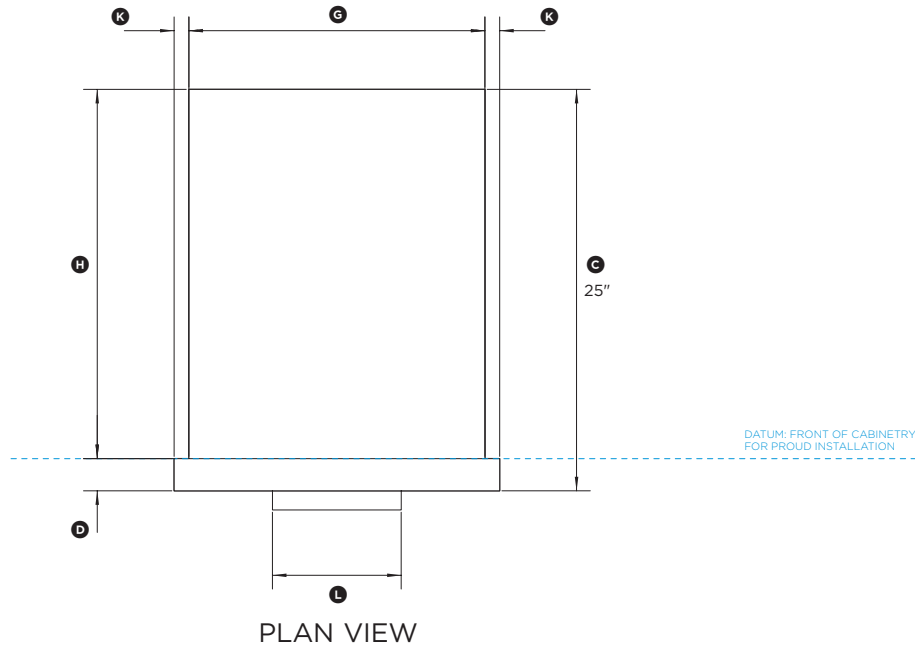
# Data sheet

# Tower Drawer Single

Model no:

**TDS1-20**

(refer page 2 for metric measurements)



Product Dimensions	in
Ⓐ Overall height of product	9 5/8"
Ⓑ Overall width of product	20 5/16"
Ⓒ Overall depth of product (excluding handles)	25"
Ⓓ Depth of front frame	2"
Ⓔ Width of front frame	1 1/8"
Ⓕ Height of chassis	8 5/16"
Ⓖ Width of chassis	18 1/2"
Ⓖ Depth of chassis	23"
Ⓗ Height of bottom flange	29/32"
Ⓗ Height of top flange	11/16"
Ⓖ Width of side flanges	29/32"
Ⓙ Width of handle	8"
Ⓚ Height of handle	1 3/16"
Ⓚ Depth of handle	1 3/16"
Ⓚ Width of drawer front	17 13/16"

Cutout Dimensions	in
Overall width of cutout	18 7/8"
Overall height of cutout	8 7/16"

Clearance Dimensions	in
Minimum height from ground to bottom of cutout	1 3/16"

IMPORTANT NOTE: This datasheet shows only the proud installation option. For full installation and clearance details please refer to our installation manual.

INDICATES CABINERY / PRODUCT DATUM  
 INDICATES CUTOUT  
 INDICATES CLEARANCES

DATE: 28.08.2015

IMPORTANT NOTE: Throughout this guide, dimensions may vary by ±2mm (3/32"). Please read the installation manual for detailed information on installing the product. [www.dcsappliances.com](http://www.dcsappliances.com)



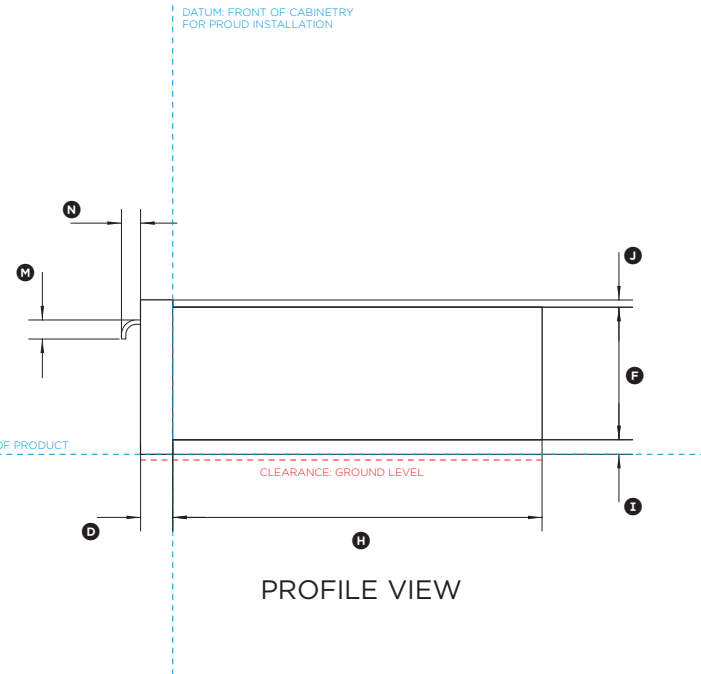
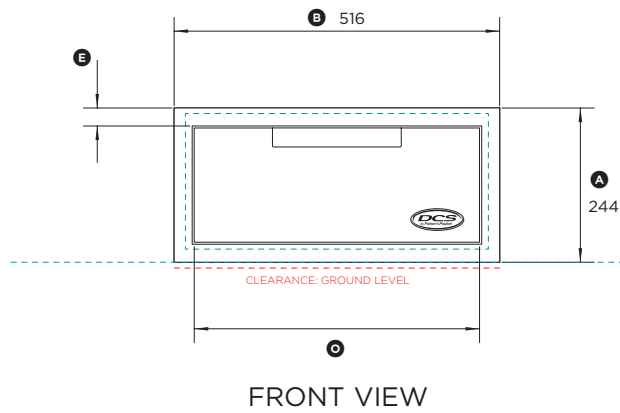
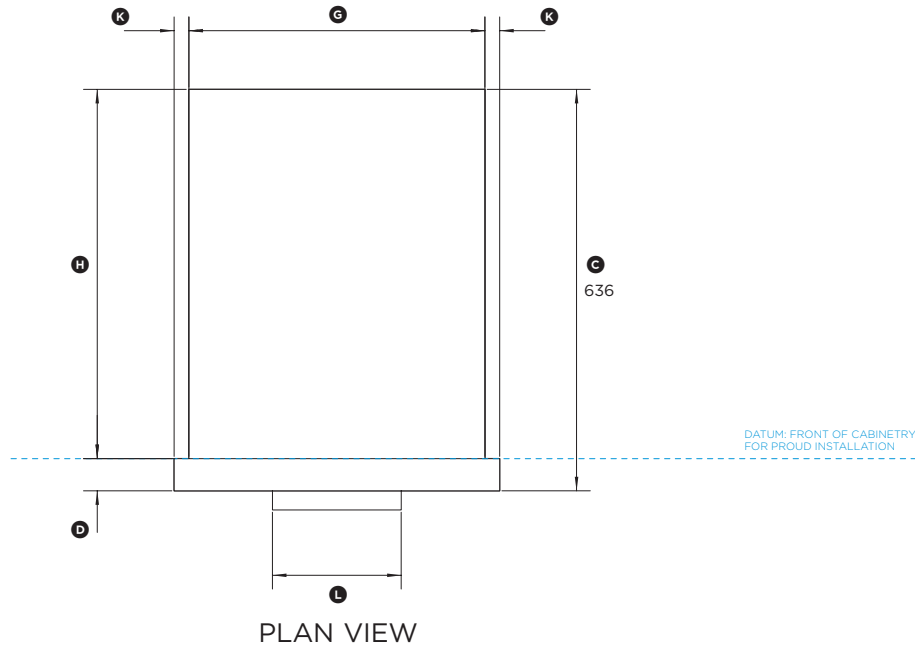
# Data sheet

# Tower Drawer Single

Model no:

**TDS1-20**

(refer page 1 for imperial measurements)



Product Dimensions	mm
Ⓐ Overall height of product	244
Ⓑ Overall width of product	516
Ⓒ Overall depth of product (excluding handles)	636
Ⓓ Depth of front frame	51
Ⓔ Width of front frame	28
Ⓕ Height of chassis	210
Ⓖ Width of chassis	469
Ⓖ Depth of chassis	585
Ⓗ Height of bottom flange	23
Ⓗ Height of top flange	11
Ⓘ Width of side flanges	23.5
Ⓚ Width of handle	204
Ⓚ Height of handle	30
Ⓚ Depth of handle	30
Ⓚ Width of drawer front	452

Cutout Dimensions	mm
Overall width of cutout	480
Overall height of cutout	215

Clearance Dimensions	mm
Minimum height from ground to bottom of cutout	30

IMPORTANT NOTE: This datasheet shows only the proud installation option. For full installation and clearance details please refer to our installation manual.

INDICATES CABINERY / PRODUCT DATUM -----  
 INDICATES CUTOUT -----  
 INDICATES CLEARANCES -----

DATE: 28.08.2015

IMPORTANT NOTE: Throughout this guide, dimensions may vary by ±2mm (3/32"). Please read the installation manual for detailed information on installing the product. [www.dcsappliances.com](http://www.dcsappliances.com)

