

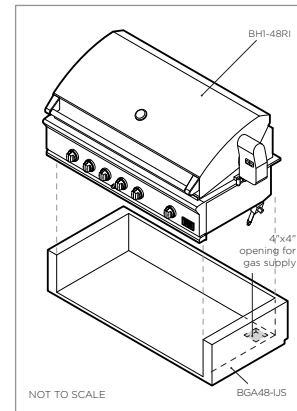
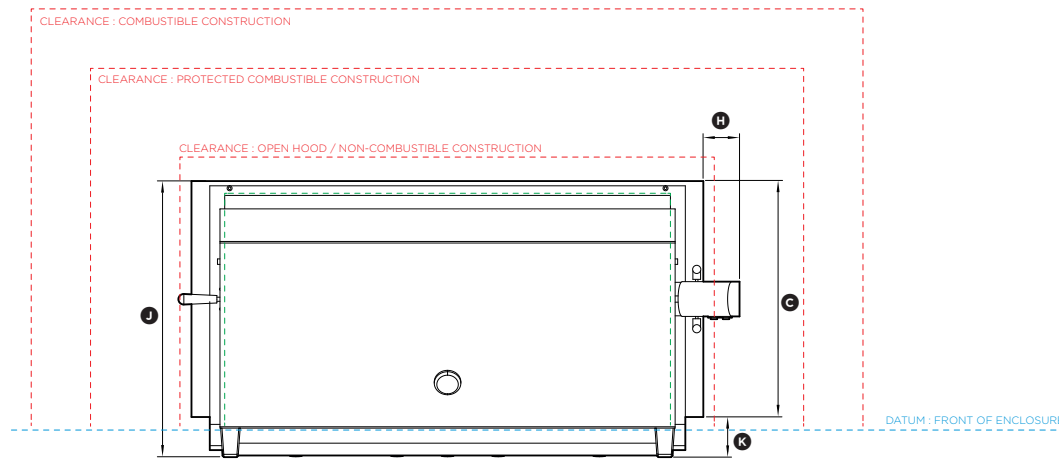
Data sheet

48" Outdoor Grill with Insulation Jacket

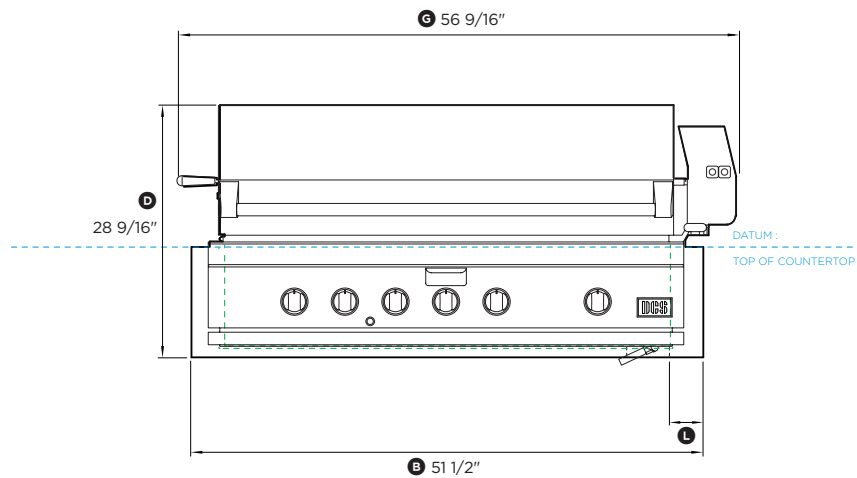
Model no:

BH1-48R with BGA48-IJS

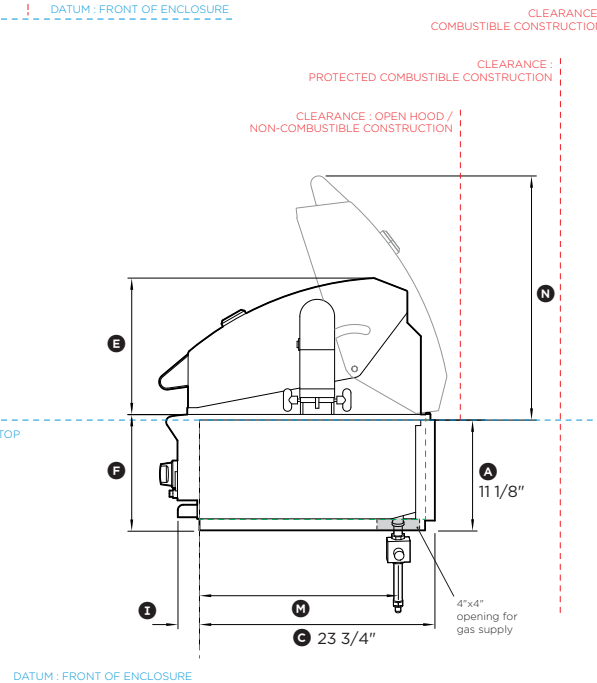
(refer page 2 for metric measurements)



PLAN VIEW



FRONT VIEW



PROFILE VIEW

Dimensions	in
Ⓐ Height of insulation jacket	11 1/8"
Ⓑ Overall width of insulation jacket	51 1/2"
Ⓒ Depth from front datum to rear of insulation jacket	23 3/4"
Ⓓ Overall height of grill with insulation jacket	25 7/16"
Ⓔ Height from top of hood to top of chassis	13 11/16"
Ⓕ Height from top of chassis to bottom of insulation jacket	11 11/16"
Ⓖ Overall width of grill with insulation jacket	56 9/16"
Ⓗ Width from right side of jacket to right side of motor cover	3 11/16"
Ⓘ Depth from control panel to front datum	2 3/16"
Ⓛ Overall depth of grill with insulation jacket	27 13/16"
Ⓚ Depth from front of product to front datum	4 1/16"
Ⓛ Distance from right of insulation jacket to right side of opening for gas inlet	3 5/16"
Ⓜ Distance from front of insulation jacket to front side of opening for gas inlet	20 1/16"
Ⓝ Height from top of open hood to top of insulation jacket	23 3/4"

Minimum Clearances	in
Overall width of cavity	51 5/8"
Overall depth of cavity	22 3/4"
Overall height of cavity	11 1/8"
Clearance to combustible construction*	18"
Clearance to protected combustible construction*	12"
Clearance to non-combustible construction*	3"

* Minimum clearance measured from grill base, not storage drawer.

NOTE: See installation manual for full installation requirements and definitions.

INDICATES CUTOUT -----

INDICATES PRODUCT DATUM -----

INDICATES CLEARANCES -----

DATE: 26.02.2024

90000137B

IMPORTANT NOTE: Throughout this guide, dimensions may vary by ±2mm (1/16"). Please read the installation manual for detailed information on installing the product. For full installation instructions & specifications visit www.dcsappliances.com



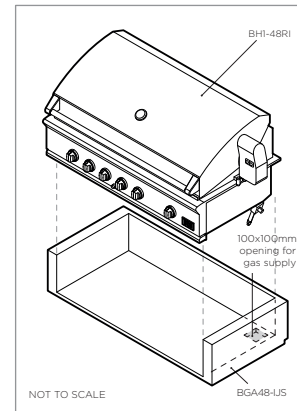
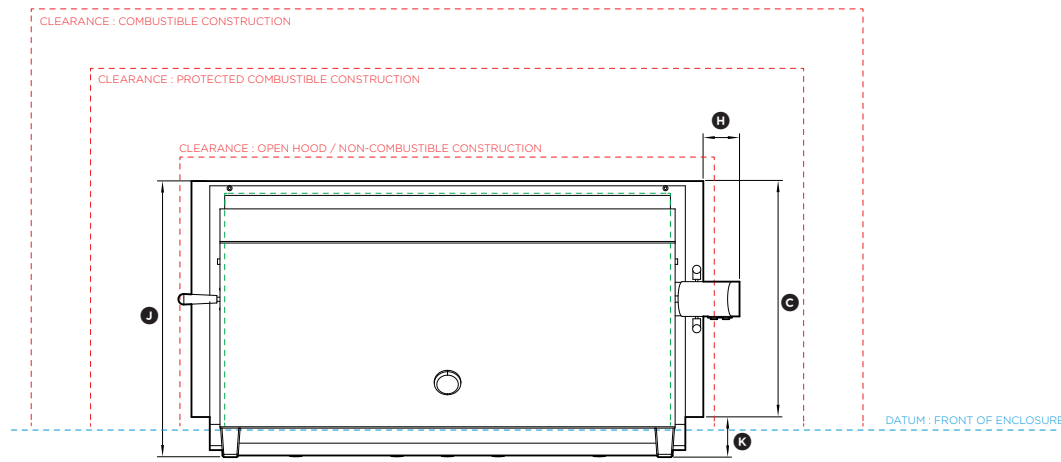
Data sheet

48" Outdoor Grill with Insulation Jacket

Model no:

BH1-48R with BGA48-IJS

(refer page 1 for imperial measurements)

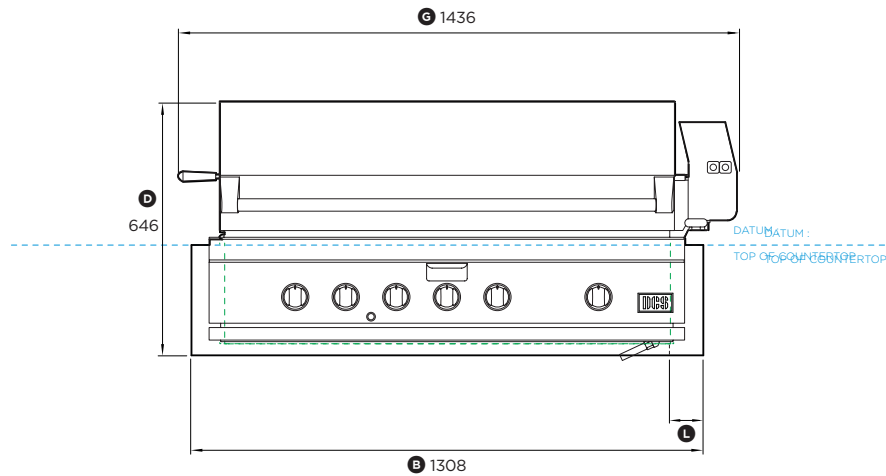


CLEARANCE : COMBUSTIBLE CONSTRUCTION

CLEARANCE : PROTECTED COMBUSTIBLE CONSTRUCTION

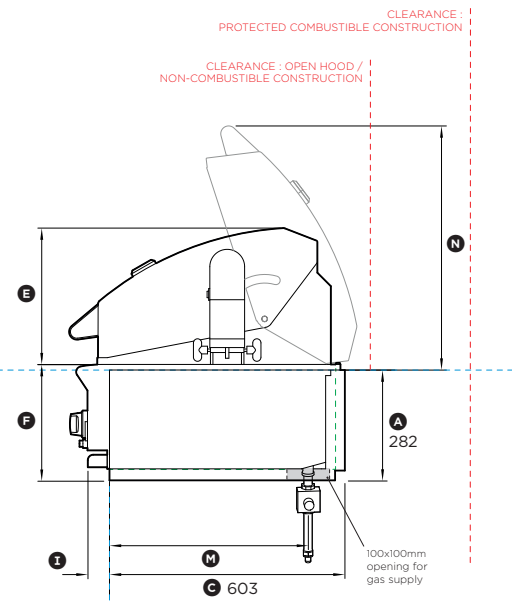
CLEARANCE : OPEN HOOD / NON-COMBUSTIBLE CONSTRUCTION

PLAN VIEW



FRONT VIEW

DATUM : FRONT OF ENCLOSURE



PROFILE VIEW

Dimensions	mm
Ⓐ Height of insulation jacket	282
Ⓑ Overall width of insulation jacket	1308
Ⓒ Depth from front datum to rear of insulation jacket	603
Ⓓ Overall height of grill with insulation jacket	646
Ⓔ Height from top of hood to top of chassis	348
Ⓕ Height from top of chassis to bottom of insulation jacket	297
Ⓖ Overall width of grill with insulation jacket	1436
Ⓗ Width from right side of jacket to right side of motor cover	93
Ⓘ Depth from control panel to front datum	55
Ⓛ Overall depth of grill with insulation jacket	706
Ⓜ Depth from front of product to front datum	103
Ⓝ Distance from right of insulation jacket to right side of opening for gas inlet	91
Ⓞ Distance from front of insulation jacket to front side of opening for gas inlet	509
Ⓟ Height from top of open hood to top of insulation jacket	604

Minimum Clearances	mm
Overall width of cavity	1318
Overall depth of cavity	578
Overall height of cavity	283
Clearance to combustible construction*	457
Clearance to protected combustible construction*	305
Clearance to non-combustible construction*	76

* Minimum clearance measured from grill base, not storage drawer.

NOTE: See installation manual for full installation requirements and definitions.

INDICATES CUTOUT -----

INDICATES PRODUCT DATUM -----

INDICATES CLEARANCES -----

DATE: 26.02.2024

90000137B

IMPORTANT NOTE: Throughout this guide, dimensions may vary by ±2mm (1/16"). Please read the installation manual for detailed information on installing the product. For full installation instructions & specifications visit www.dcsappliances.com

