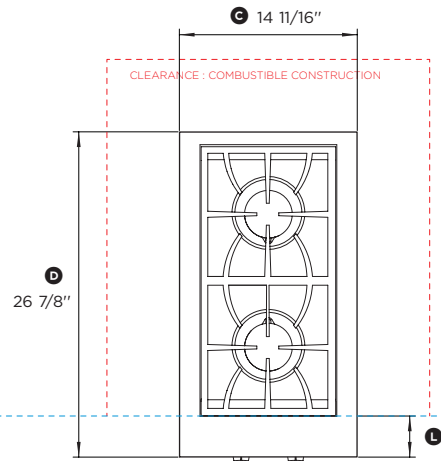
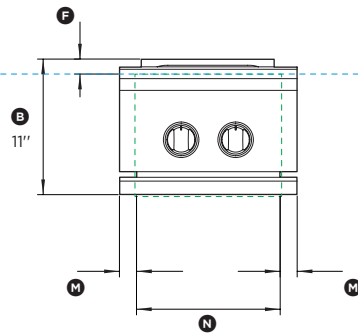
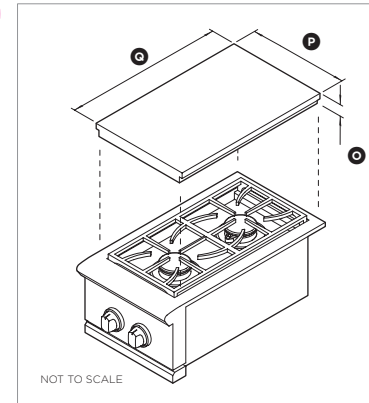


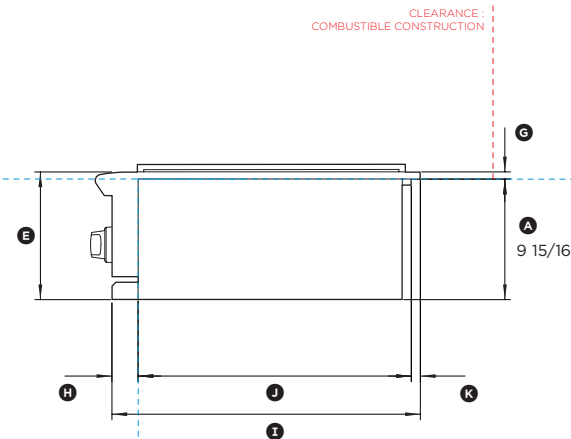
WORK IN PROGRESS
DRAFT ONLY
 NOT FOR RELEASE



PLAN VIEW



FRONT VIEW



PROFILE VIEW

Model no:

SBE1 (refer page 2 for metric measurements)

Dimensions	in
Ⓐ Height above countertop datum to bottom of chassis	9 15/16"
Ⓑ Overall height of grill	11 1/4"
Ⓒ Overall width of grill	14 11/16"
Ⓓ Overall depth of grill (excluding knobs)	26 7/8"
Ⓔ Height of chassis	10 5/8"
Ⓕ Height above countertop	1 1/4"
Ⓖ Height of chassis above countertop	9/16"
Ⓗ Depth of control panel to front datum	2 3/16"
Ⓙ Depth from control panel to rear of product	25 1/2"
Ⓚ Depth from front datum to rear of chassis below countertop	22 9/16"
Ⓛ Depth of rear flange	3/4"
Ⓜ Depth from chassis bullnose to front datum	3 3/8"
Ⓝ Width of side flanges	1 7/16"
Ⓞ Width of chassis inside enclosure	11 7/8"
Ⓟ Height of lid	1 11/16"
Ⓠ Width of lid	14 3/8"
Ⓡ Depth of lid	23"

Minimum Clearances	in
Overall width of cavity	12 1/8"
Overall depth of cavity	22 3/4"
Overall height of cavity	10 1/8"
Clearance to vertical combustible surface above countertop at rear and sides	6"

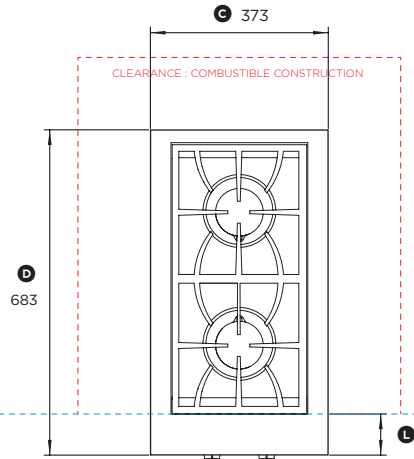
INDICATES CUTOUT -----
 INDICATES PRODUCT / CABINETY DATUM -----
 INDICATES CLEARANCES -----

DATE: 12.12.2019

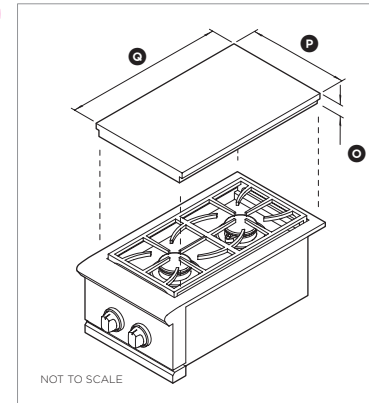
IMPORTANT NOTE: Throughout this guide, dimensions may vary by ±2mm (1/16"). Please read the installation manual for detailed information on installing the product. www.dcsappliances.com



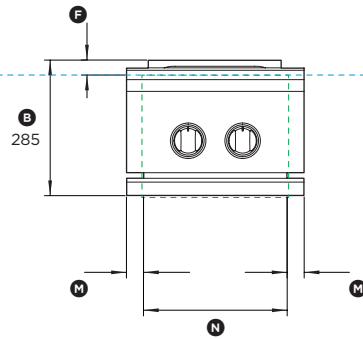
WORK IN PROGRESS
DRAFT ONLY
 NOT FOR RELEASE



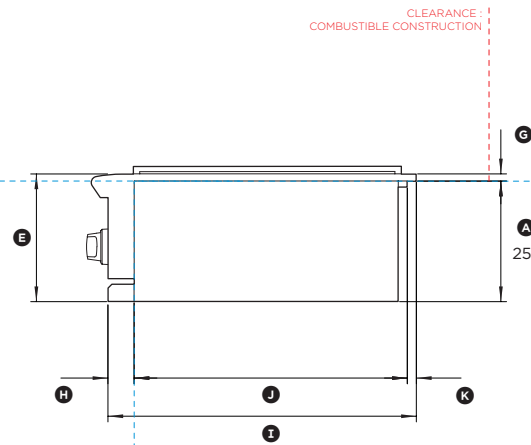
PLAN VIEW



DATUM : FRONT OF ENCLOSURE



FRONT VIEW



PROFILE VIEW

DATUM : FRONT OF ENCLOSURE

Model no:

SBE1 (refer page 1 for imperial measurements)

Dimensions	mm
A Height below countertop datum to bottom of chassis	253
B Overall height of grill	285
C Overall width of grill	373
D Overall depth of grill (excluding knobs)	683
E Height of chassis	268
F Height above countertop	32
G Height of chassis above countertop	15
H Depth of control panel to front datum	55
I Depth from control panel to rear of product	648
J Depth from front datum to rear of chassis below countertop	573
K Depth of rear flange	19
L Depth from chassis bullnose to front datum	87
M Width of side flanges	36
N Width of chassis inside enclosure	301
O Height of lid	43
P Width of lid	365
Q Depth of lid	585

Minimum Clearances	mm
Overall width of cavity	308
Overall depth of cavity	578
Overall height of cavity	257
Clearance to vertical combustible surface above countertop at rear and sides	152

INDICATES CUTOUT -----
 INDICATES PRODUCT / CABINETRY DATUM -----
 INDICATES CLEARANCES -----

DATE: 12.12.2019

IMPORTANT NOTE: Throughout this guide, dimensions may vary by $\pm 2\text{mm}$ (1/16"). Please read the installation manual for detailed information on installing the product. www.dcsappliances.com

