

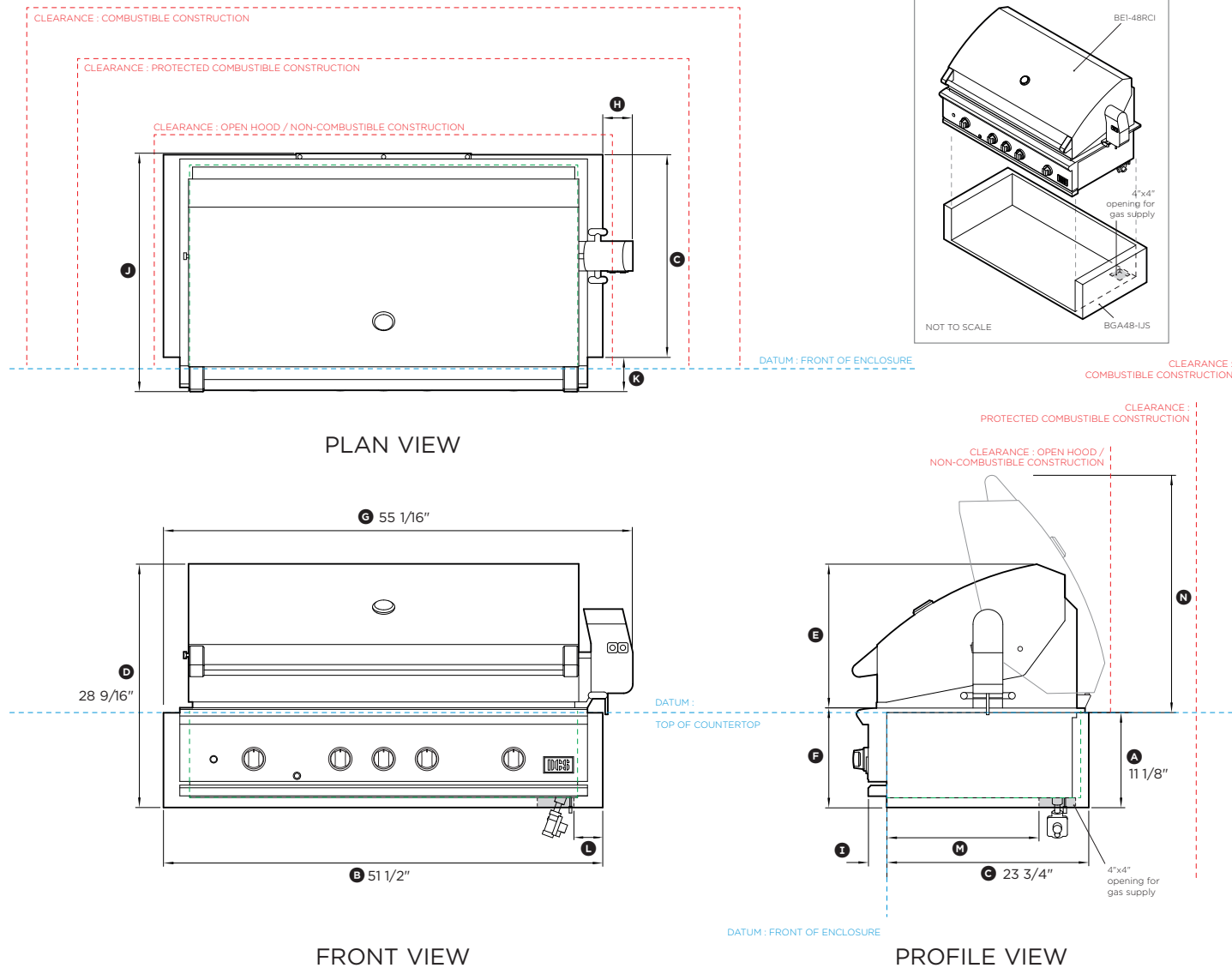
Data sheet

48" Outdoor Grill with Insulation Jacket

Model no:

BE1-48RC with BGA48-IJS

(refer page 2 for metric measurements)



| Dimensions | in |
|---|-----------|
| Ⓐ Height of insulation jacket | 11 1/8" |
| Ⓑ Overall width of insulation jacket | 51 1/2" |
| Ⓒ Depth from front datum to rear of insulation jacket | 23 3/4" |
| Ⓓ Overall height of grill with insulation jacket | 28 9/16" |
| Ⓔ Height from top of hood to top of chassis | 16 15/16" |
| Ⓕ Height from top of chassis to bottom of insulation jacket | 11 5/8" |
| Ⓖ Overall width of grill with insulation jacket | 55 1/16" |
| Ⓗ Width from right side of jacket to right side of motor cover | 3 9/16" |
| Ⓘ Depth from control panel to front datum | 2 3/16" |
| Ⓛ Overall depth of grill with insulation jacket | 27 15/16" |
| Ⓜ Depth from front of product to front datum | 4 1/16" |
| Ⓝ Distance from right of insulation jacket to right side of opening for gas inlet | 2 13/16" |
| Ⓞ Distance from front of insulation jacket to front side of opening for gas inlet | 18 1/16" |
| Ⓟ Height from top of open hood to top of insulation jacket | 27 3/16" |

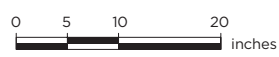
| Minimum Clearances | in |
|--|---------|
| Overall width of cavity | 51 7/8" |
| Overall depth of cavity | 22 3/4" |
| Overall height of cavity | 11 1/8" |
| Clearance to combustible construction* | 18" |
| Clearance to protected combustible construction* | 12" |
| Clearance to non-combustible construction* | 3" |

* Minimum clearance measured from grill base, not storage drawer.
NOTE: See installation manual for full installation requirements and definitions.

INDICATES CUTOUT -----
INDICATES PRODUCT DATUM -----
INDICATES CLEARANCES -----

DATE: **02.04.2024** 90000060B

IMPORTANT NOTE: Throughout this guide, dimensions may vary by ±2mm (1/16"). Please read the installation manual for detailed information on installing the product. For full installation instructions & specifications visit www.dcsappliances.com



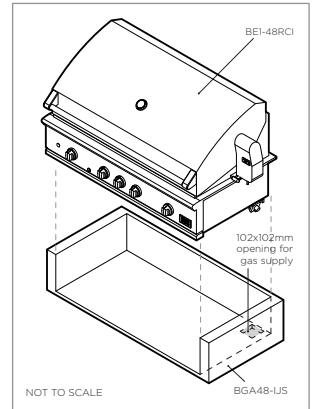
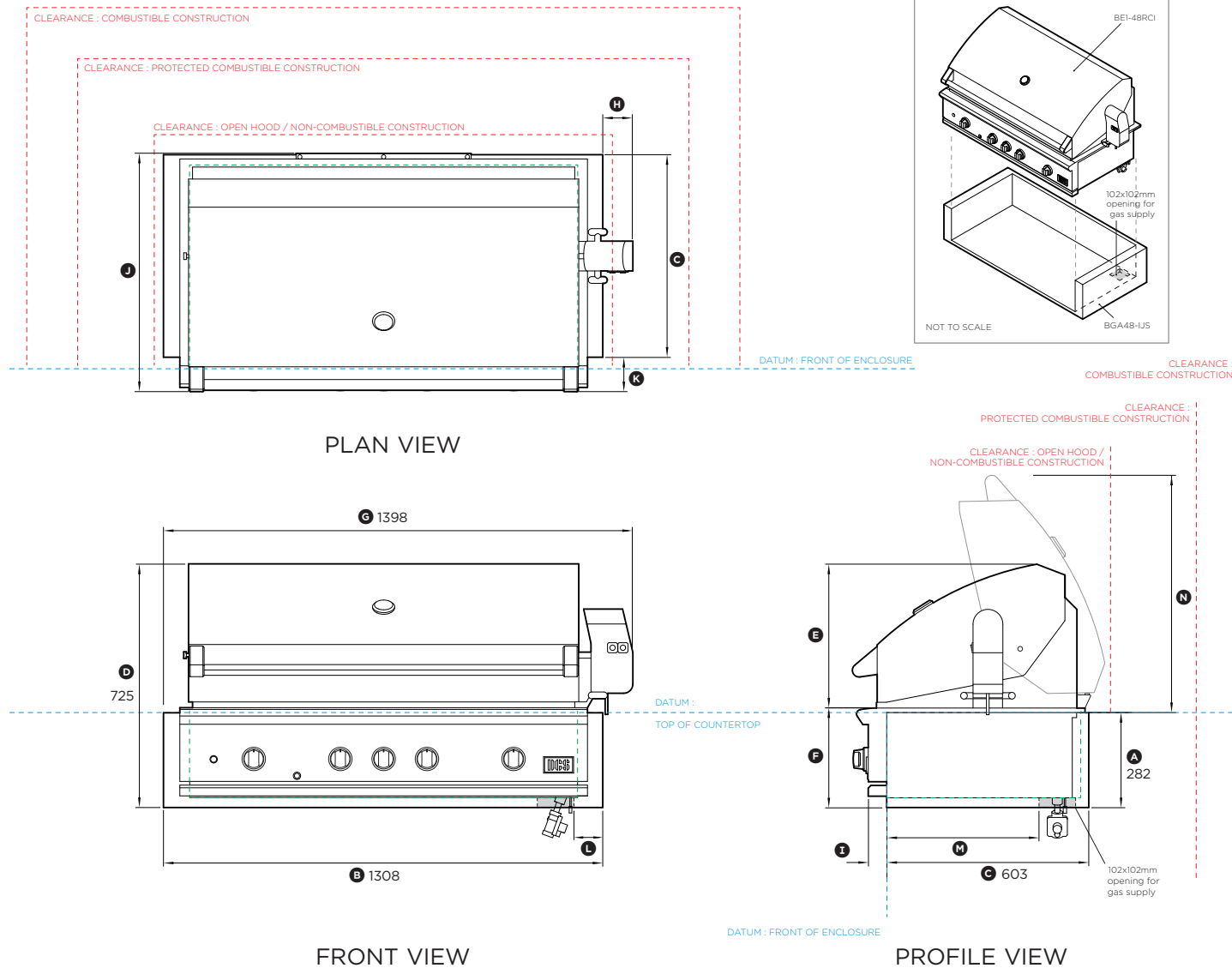
Data sheet

48" Outdoor Grill with Insulation Jacket

Model no:

BE1-48RC with BGA48-IJS

(refer page 1 for imperial measurements)



| Dimensions | mm |
|---|------|
| Ⓐ Height of insulation jacket | 282 |
| Ⓑ Overall width of insulation jacket | 1308 |
| Ⓒ Depth from front datum to rear of insulation jacket | 603 |
| Ⓓ Overall height of grill with insulation jacket | 725 |
| Ⓔ Height from top of hood to top of chassis | 430 |
| Ⓕ Height from top of chassis to bottom of insulation jacket | 296 |
| Ⓖ Overall width of grill with insulation jacket | 1398 |
| Ⓗ Width from right side of jacket to right side of motor cover | 90 |
| Ⓘ Depth from control panel to front datum | 55 |
| Ⓛ Overall depth of grill with insulation jacket | 709 |
| Ⓜ Depth from front of product to front datum | 103 |
| Ⓝ Distance from right of insulation jacket to right side of opening for gas inlet | 71 |
| Ⓞ Distance from front of insulation jacket to front side of opening for gas inlet | 459 |
| Ⓟ Height from top of open hood to top of insulation jacket | 691 |

| Minimum Clearances | mm |
|--|------|
| Overall width of cavity | 1318 |
| Overall depth of cavity | 578 |
| Overall height of cavity | 283 |
| Clearance to combustible construction* | 457 |
| Clearance to protected combustible construction* | 305 |
| Clearance to non-combustible construction* | 76 |

* Minimum clearance measured from grill base, not storage drawer.
NOTE: See installation manual for full installation requirements and definitions.

INDICATES CUTOUT -----
INDICATES PRODUCT DATUM -----
INDICATES CLEARANCES -----

DATE: **02.04.2024** 90000060B

IMPORTANT NOTE: Throughout this guide, dimensions may vary by ±2mm (1/16"). Please read the installation manual for detailed information on installing the product. For full installation instructions & specifications visit www.dcsappliances.com

