



PROFESSIONAL GRILL CART

CAD1 models

INSTALLATION GUIDE / USER GUIDE

US CA

CONTENTS

Safety and warnings	4
Introduction	6
Model identification & dimensions	7
Shipping inspection	8
Locating the cart	9
Cart assembly instructions	9
Components	10
Cart assembly instructions	11
Side shelf assembly instructions (optional)	16
Using the cart	17
Removing the drawers	17
Re-installing the drawers	17
Freezer pack (optional, kit #70696A)	18
Care and maintenance	19
Service & warranty	20

IMPORTANT! **SAVE THESE INSTRUCTIONS**

The models shown in this user guide may not be available in all markets and are subject to change at any time. For current details about model and specification availability in your country, visit our website listed on the back cover or contact your DCS by Fisher & Paykel dealer.

SAFETY AND WARNINGS

To reduce the risk of fire, electrical shock, injury to persons, or damage when using the appliance, follow the important safety instructions listed below: hazard or other injury.

WARNING!



Explosion Hazard

Failure to follow this advice may result in injury or death.

- Do not store or use gasoline or other flammable vapors and liquids inside or in the vicinity of this or any other appliance.
- An LP cylinder not connected for use shall not be stored inside or in the vicinity of this unit.

WARNING!



Tip Hazard

Failure to follow this advice may result in injury.

- Do not push down on the top of the drawers. The unit could tip forward.
- Do not overload drawers. Maximum rating of each drawer is 35 pounds.

WARNING!



Crush Hazard

Failure to follow this advice may result in injury.

- Improper hand placement during drawer closure may cause injury to hands or fingers. Always close or open drawers using their handles.
- Be sure to keep hands away from drawer edges when opening or closing drawers.

SAFETY AND WARNINGS

- Do not allow children or pets to play in or around the cart.
- To prevent personal injury or damage to the drawers, do not overload them. The maximum rating of each drawer is 35 pounds.
- Do not store items of interest to children above or on the inside of any cart. Children could be seriously injured if they should climb onto or into the cart to reach these items.
- To prevent injury from tipping, all Series 9 products must only be used with CAD1-E model carts.

IF YOU SMELL GAS:

- Do not turn on any electrical switch; do not use any phone in your building.
- Immediately call your gas supplier from a neighbor's phone.
- Follow the gas supplier's instructions.
- If you cannot reach your gas supplier, call the fire department.
- Installation and service must be performed by a qualified installer, service agency or the gas supplier.

INTRODUCTION

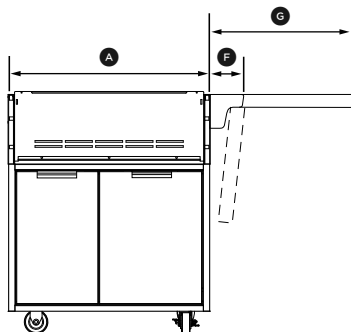
Thank you for selecting this DCS by Fisher & Paykel Grill Cart. This installation and user guide contains valuable information on how to properly install, and maintain your new Professional Grill Cart for years of safe and enjoyable use.

For your convenience, product questions can be answered by a DCS Customer Care Representative at www.dcsappliances.com, or email: customer.care@fisherpaykel.com.

MODEL IDENTIFICATION & DIMENSIONS

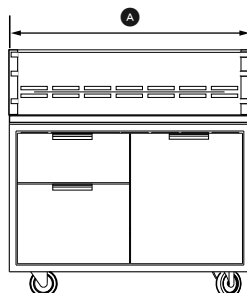
CAD1-30/30E and side shelf

Front



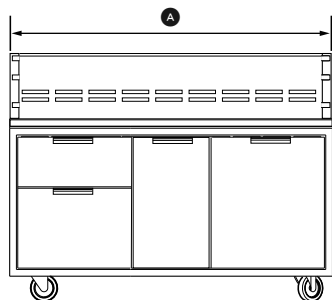
CAD1-36/36E

Front



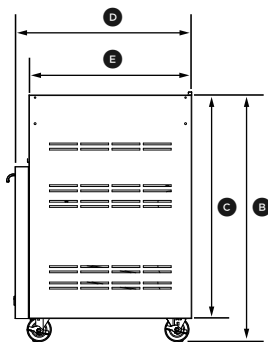
CAD1-48/48E

Front



CAD1-30, CAD1-36/36E and CAD1-48/48E

Profile



PRODUCT DIMENSIONS	CAD1-30/30E		CAD1-36/36E		CAD1-48/48E	
	IN	MM	IN	MM	IN	MM
Ⓐ Overall width of cart	30	762	36	914	48	1219
Ⓑ Overall height of cart	35 1/2	902	35 1/2	902	35 1/2	902
Ⓒ Height of cart chasis (excluding wheels)	32	816	32	816	32	816
Ⓓ Overall depth of cart	25 1/2	648	25 1/2	648	25 1/2	648
Ⓔ Depth of cart chasis (excluding doors & handles)	23 1/2	597	23 1/2	597	23 1/2	597
Ⓕ Width of side shelf bracket	4 1/2	114	4 1/2	114	4 1/2	114
Ⓖ Width of side shelf	24	610	24	610	24	610

INSTALLATION

Compatibility

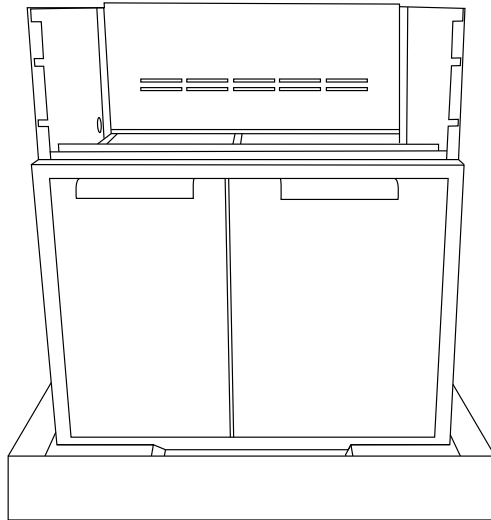
IMPORTANT!

- All Series 9 outdoor products must only be used with CAD1-E cart models. They cannot be used with any other CAD1 carts.
- All Series 7 products can be used with both CAD1 and CAD1-E cart models

Shipping inspection

IMPORTANT!

- Do not discard any packing material (box, straps) until the unit has been inspected.
- ① Inspect the Cart to verify that there is no shipping damage.
 - ② If any damage is detected, call the retail dealer and initiate a damage claim. DCS by Fisher & Paykel is not responsible for shipping damage.
- Operate the drawers to be sure they glide smoothly.
 - Examine the drawer fronts to be sure there are no dents or scratches.



INSTALLATION

Locating the cart

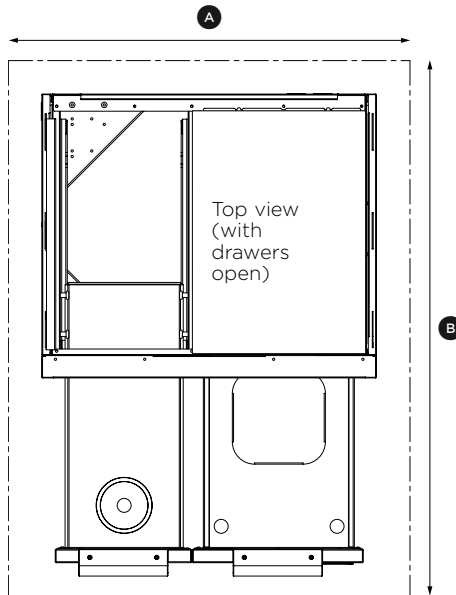
For proper use, this product should be installed/positioned on a flat ground or patio. Unevenness such as bumps, cracks and protrusions should be 1/4" or less. Refer to illustration and the below table for required flat area dimensions.

REQUIRED FLAT AREA	CAD1-30/30E		CAD1-36/36E		CAD1-48/48E	
	IN	MM	IN	MM	IN	MM
Ⓐ Width	30	762	36	914	48	1219
Ⓑ Depth	48	1219	48	1219	48	1219

Cart assembly instructions

IMPORTANT!

- Some parts have sharp edges; care must be taken when handling the various components to avoid injury. Please read safety information provided in these instructions before beginning assembly. Wear gloves when handling.
- Two or more people should work together to assemble the cart and All-Grill, Double Side Burner/Sink, or Double Side Burner/Griddle.
- Avoid using side shelf to move cart. Push or pull the cart by grasping corners of head.

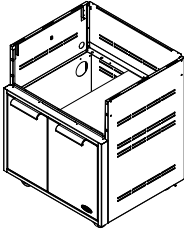







INSTALLATION

Components

Your cart is packaged in one box. The box contains your cart and a universal hardware kit to be used for grill installation and may contain extra hardware for your convenience.

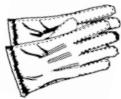
Table of quantity of parts

CONTENTS	MODEL	PART NO.	QTY
 <p>30" Cart shown</p>	CAD1-30	71131	1
	CAD1-30E	71432	1
	CAD1-36	71132	1
	CAD1-36E	71407	1
	CAD1-48	71133	1
	CAD1-48E	71408	1
CONTENTS	CAD1-30/30E	CAD1-36/36E	CAD1-48/48E
 <p>Machined Phillip screws 10-24X1/2"</p>	13	16	17
 <p>Bracket, Tab</p>	2	2	4
 <p>Bolt Hex 1/4-20-12"</p>	2	2	2
 <p>Washer .313 x .750</p>	4	4	4
 <p>Nut Hex 1/4-20</p>	2	2	2

Tools required



Eye Goggles



Work Gloves



Power Screwdriver or Variable Speed Drill with Phillips - tip #2 Attachment



Allen Wrench (3): 5/32", 3/16" and 3/32"

INSTALLATION

Cart assembly instructions

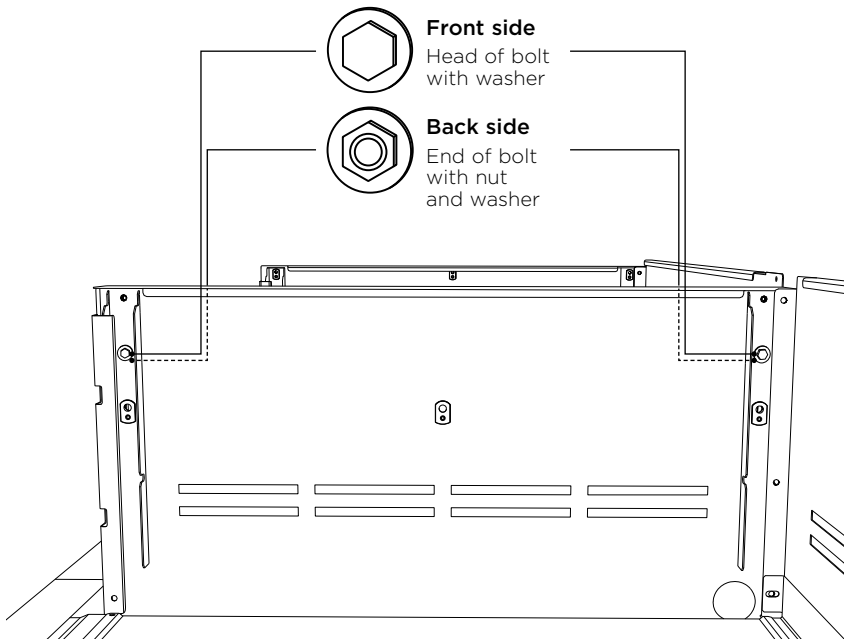
Linking carts together (optional)

To link two or more CAD1 carts, the following instructions must be done first, using the hardware provided, before installing the top modules.

IMPORTANT!

Once the carts are linked, they cannot be moved. Moving the carts once linked could damage the carts.

- ① Hand tighten two bolts, four washers, and two nuts on the front and back sides of the carts as shown.
- ② Carefully wrench tighten fasteners once carts are aligned with each other.

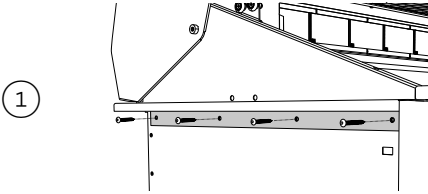


INSTALLATION

Outdoor appliance head preparation

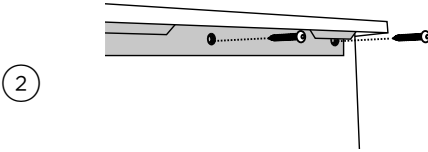
IMPORTANT!

For the CAD1-48/48E there are two sets of brackets. If you have the BGB48-BQR, use the brackets labeled LEFT-48 BQR and RIGHT-48 BQR. If you have the BGB48-BQAR, use the brackets labeled 48-BQAR.



First you will need to remove the angle brackets from the side of the unit and replace them with cart mount brackets.

Note: unit is shipped prepared for island installation.

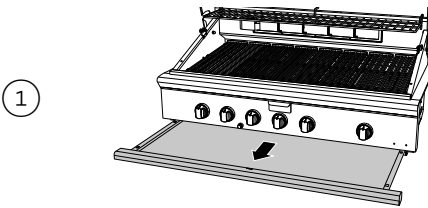


Install the bracket tab on both sides using eight of the 10-24 x 1/2" screws. Install each bracket with four screws on each side of the grill head. For a CAD1-48/48E, use the appropriately labeled bracket for your grill head and cart side.

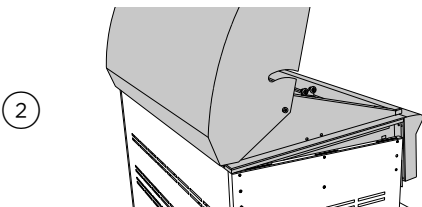
Head placement onto cart

IMPORTANT!

- Be aware of pinch points and sharp edges to avoid injury to arms and hand.
- Two persons required to lift head.



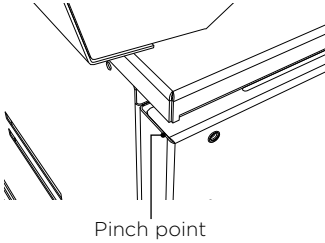
Remove drip tray/pan and other removable components such as grates, top burner caps and components, and griddle flue cover, radiant tray and grill burner for easier handling.



Placing head on cart, place rear of head over the rear of the cart first. Then allow the rear side tabs to first locate in the slots on the top of the cart sides. The other tabs will locate in the middle and front slots as the head is lowered into position on the cart.

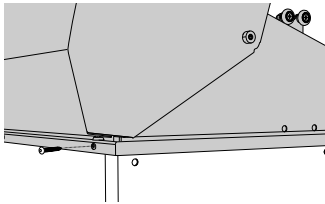
INSTALLATION

3



Position tabs on side bracket to fit into slots on the cart. When complete, the landing ledge should sit flush on the top of the cart.

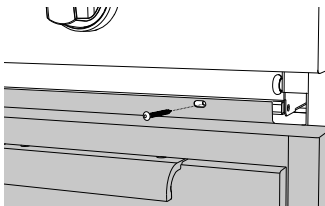
4



Secure the head to rear of cart with Phillips-head screws provided (10-24 x 1/2").

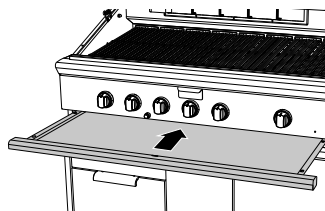
Front end screw installation

1



Install remaining screws (10-24 x 1/2") into the front of head to the cart.

2



Slide drip tray/pan back into place.

INSTALLATION

Transformer installation (for Series 9 products only)

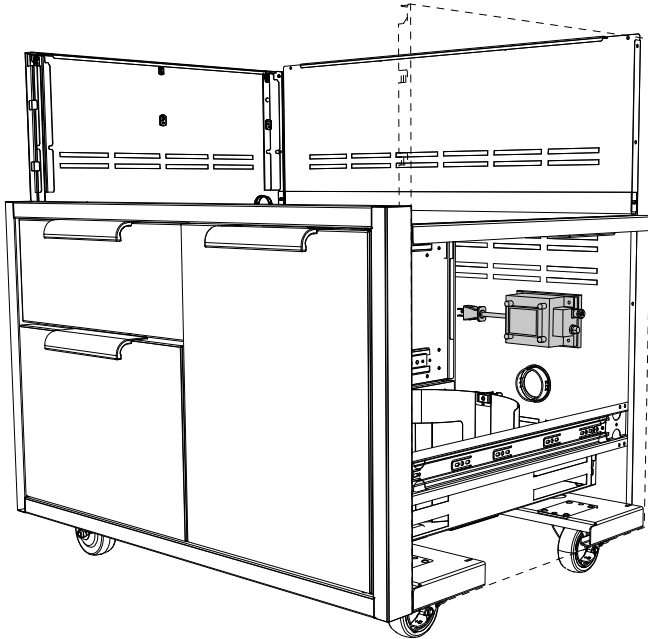
Your Series 9 product comes supplied with a power transformer for ignition and internal lighting, which is concealed in a box with an attached power supply cord. It is recommended that the transformer is mounted to the rear panel of the CAD1-E cart using the 4 holes provided.

HZ	VOLTAGE	AMPS
60 Hz	120V	15A

IMPORTANT!

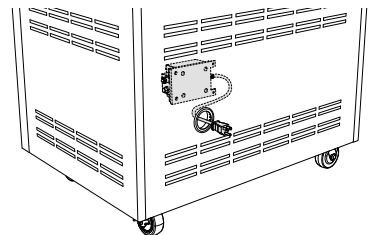
Use only a Ground Fault Interrupter (GFI) protected circuit with this transformer.

The suggested location for installation is above the hole the transformer cord routes through, which is on the inside of the right-hand side of the cart's back panel. Remove the transformer from its bracket, and reuse the 4 nuts and bolts to attach the transformer to the cart.



Routing the transformer cord

Route the cord through the provided hole and connect to the nearest 120VAC 15A GFI (Ground Fault Interrupter) electrical outlet.



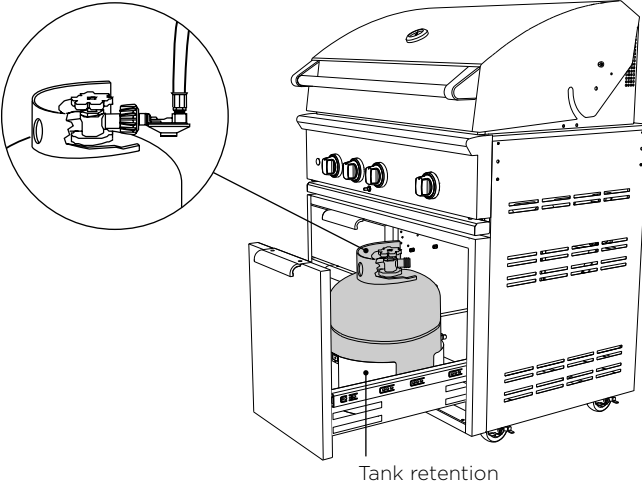
INSTALLATION

Gas hook-up - LP

Place your 20 lb cylinder (type 1) into the tank retention device as shown. Refer to your product user guide for detailed gas connection guidance.

IMPORTANT!

- To prevent personal injury or damage to the drawers, do not overload them. The maximum rating of each drawer is 35 pounds.
- Do not push down on the top of the drawers. The unit could tip forward.

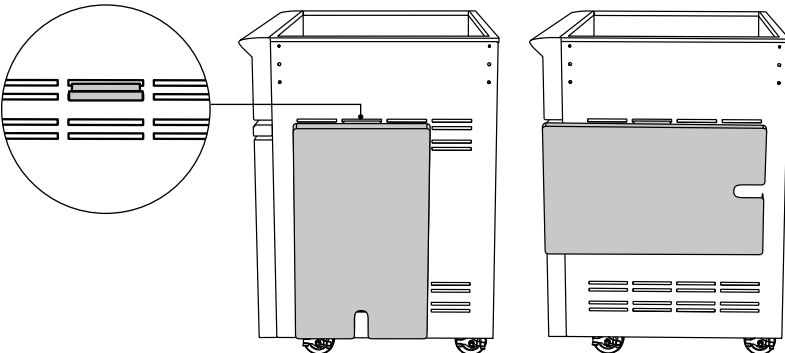


Cover hanger

To use the cover hangers provided, first place the cover hanger into the slot on the side or rear of your cart then hang the cover in either direction as shown below.

IMPORTANT!

Do not move the cart while the covers are hung. This could cause the covers to fall off the hangers and damage the covers.

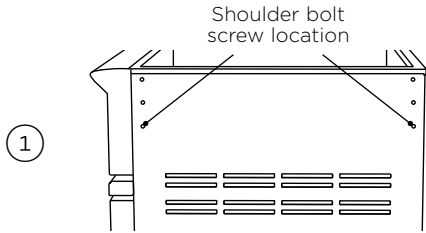


INSTALLATION

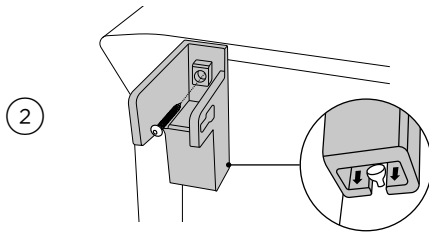
Side shelf assembly instructions (optional)

Optional attach side shelf accessory on either side

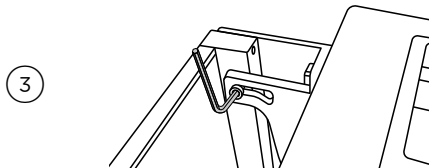
Note: side shelf model CAD1-SK can be installed with the head already on the cart.



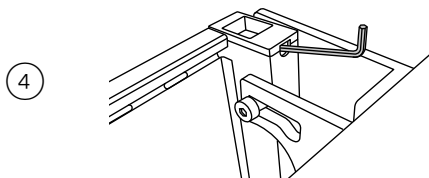
Screw two shoulder bolts into the bottom screws on the side of the cart. Tighten with 5/32 Allen wrench.



Slide left and right side shelf brackets over the shoulder bolt and install top screw attaching the side shelf brackets onto the cart. Tighten with Phillips screwdriver.

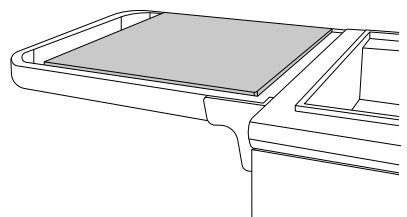


Holding the side shelf, install two shoulder bolts into the slot and screw into the side shelf tray. Tighten with a 3/16 Allen wrench.



Place shelf in the up position and check for level. If shelf is not level, adjust side shelf set screw. Set screws can be adjusted using a 3/32 Allen wrench. Turn the Allen wrench clockwise to raise the shelf. Turn 1/4 turn and review to see if the shelf is level. The set screws in the left and right bracket should be adjusted equally to ensure the shelf sits level.

Optional wood cutting board (model # CAD1-WCB, 70861) can be purchased as an accessory from www.dcsappliances.com.



USING THE CART

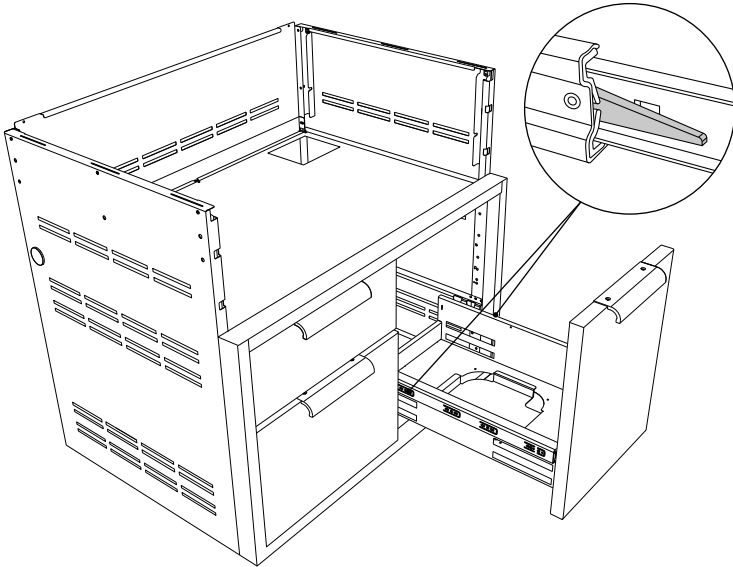
Removing the drawers

IMPORTANT!

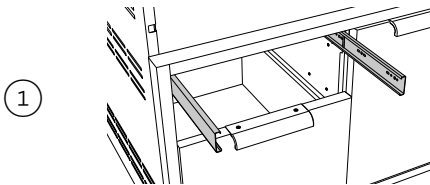
To prevent personal injury or damage to the drawers, do not overload them. The maximum rating of each drawer is 35 pounds.

To remove the drawers, pull them out until their slider latch is visible. Carefully push the latch down on the left side while pulling up on the latch on the right side and pull the drawer completely out of the frame.

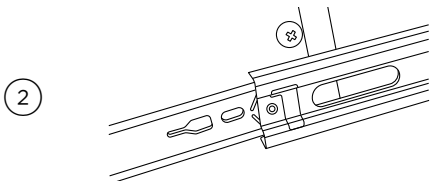
To prevent damage to surfaces, place the drawers on a stable surface on a protective towel or tablecloth while removed from the cart.



Re-installing the drawers



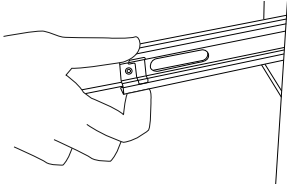
Re-install the drawers by extending their guides.



While holding the drawer parallel to the cabinet, carefully align & engage the ends of the glides. Slide the drawer about an inch so that the glides are supporting the back of the drawer.

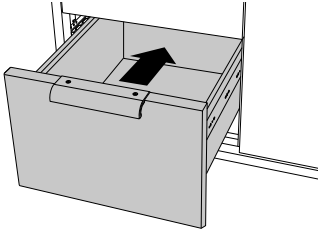
USING THE CART

3



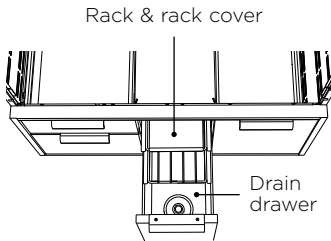
While holding the drawer up by the handle, pull the glides from the drawer cavity out over the drawer glide until they click.

4



As you push the drawers in, you will encounter moderate resistance. Continue to push the drawer all the way in to complete the engagement process. The drawer will now glide smoothly in and out with light effort.

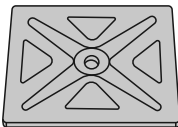
5



Install the two racks provided into the opening by sliding them onto the rollers on the sidewalls of the left cavity.

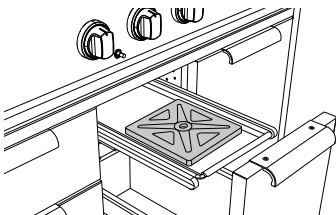
Freezer pack (optional, kit #70696A)

1



Place the freezer pack in freezer, laying it flat. Freeze overnight or a minimum of eight hours.

2



Place frozen freezer pack in the steel tray on the second shelf, in appropriate cavity of the drawer. The freezer pack is dishwasher safe. Or wash with warm soapy water, rinse and air dry. Store flat in dry storage or in freezer.

CARE AND MAINTENANCE

All parts of the Professional Grill Cart can be cleaned with hot soapy water, rinsed, dried and buffed to a shine with a soft, heavy cloth. Always try this first, as it is the mildest cleaning procedure.

- ① Use the mildest cleaning procedure first. Some brands of cleaners of the same type are harsher than others, read their directions. A scent or a propellant can make a difference in the product, read the ingredients. Try on a small area first.

Caution should be taken to keep the regulator free from any cleaning soaps or water.

- ② To avoid marring the surface, always rub metal finishes in the direction of the stainless steel polish lines (grain). The cleaner will be more effective when used in the direction of the polish lines.
- ③ Use only clean sponges, soft cloths, paper towels, plastic non-metal soap pads for cleaning or scouring as recommended in this section. (Use only soap pads with soap still in them. An empty pad can scratch.)
- ④ Be sure to rinse all parts thoroughly and to wipe dry to avoid water marks.
- ⑤ After cleaning, use a stainless steel polish, such as Stainless Steel Magic® applied to the drawer and handle surfaces.

Brand name cleaners

In this section on cleaning, the use of name brands is intended only to indicate a type of cleaner. This does not constitute an endorsement. The omission of any name brand cleaner does not imply its adequacy or inadequacy. Many products are regional in distribution and can be found in local markets and department stores.

SERVICE & WARRANTY

For warranty service, please contact your local service provider or DCS Customer Care Representative at www.dcsappliances.com, please have the following information ready:

- Model number (can be found on the inside, left wall of the tank drawer).
- Serial number (can be found on the inside, left wall of the tank drawer).
- Code (can be found on the inside, left wall of the tank drawer).
- Date of installation.
- A brief description of the problem.

Your satisfaction is of the utmost importance to us. If a problem cannot be resolved to your satisfaction, please write or email us at:

Write

Fisher & Paykel Appliances Inc.
Attention: DCS Customer Care
695 Town Center Drive, Suite 180
Costa Mesa, CA 92626-1902 USA

Email

customer.care@fisherpaykel.com

Complete and keep for safe reference:

Model _____

Serial No. _____

Purchase Date _____

Purchaser _____

Dealer _____

Suburb _____

Town _____

Country _____

DCSAPPLIANCES.COM

© Fisher & Paykel Appliances 2020. All rights reserved.

The models shown in this guide may not be available in all markets and are subject to change at any time.

The product specifications in this guide apply to the specific products and models described at the date of issue. Under our policy of continuous product improvement, these specifications may change at any time.

For current details about model and specification availability in your country, please go to our website or contact your local Fisher & Paykel dealer.