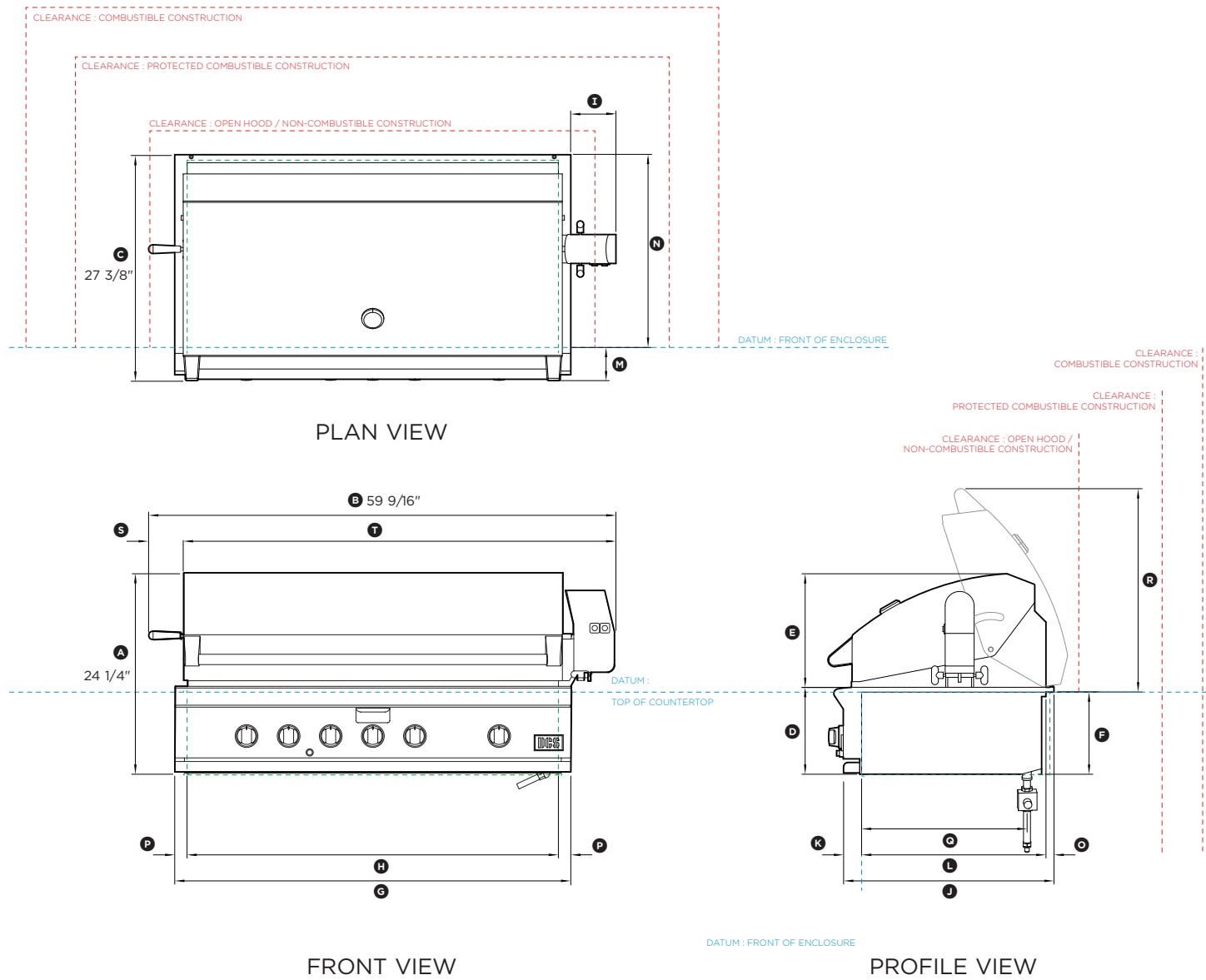


Data sheet

48" Outdoor Grill

Model no:

**BH1-48R** (refer page 2 for metric measurements)



Dimensions	in
Ⓐ Overall height of grill	24 1/4"
Ⓑ Overall width of grill	59 9/16"
Ⓒ Overall depth of grill	27 5/16"
Ⓓ Height of chassis	10 1/2"
Ⓔ Height from top of hood to top of chassis	13 3/4"
Ⓕ Height of chassis below countertop	9 15/16"
Ⓖ Overall width of chassis	47 15/16"
Ⓗ Width of chassis inside enclosure	44 7/8"
Ⓛ Width from right side of chassis to right side of motor cover	5 1/2"
Ⓜ Depth from control panel to rear of product	25 1/2"
Ⓝ Depth from control panel to front datum	2 3/16"
Ⓟ Depth from front datum to rear of chassis below countertop	22 5/16"
Ⓠ Depth from front of product to front datum	4 1/16"
Ⓡ Depth from rear of product to front datum	23 5/16"
Ⓢ Depth of rear flange	1"
Ⓣ Width of side flanges	1 9/16"
Ⓤ Distance from gas inlet to front datum	20 1/16"
Ⓡ Height from top of open hood to top of countertop	24 5/16"
Ⓢ Distance from grip to countertop	4 3/16"
Ⓣ Overall width of grill without grip	52 3/8"

Minimum Clearances	in
Overall width of cavity	45 3/4"
Overall depth of cavity	22 3/4"
Overall height of cavity	10 1/8"
Clearance to combustibles*	18"
Clearance to protected combustibles*	12"
Clearance to non-combustibles*	3"

\* Minimum clearance measured from grill base.  
NOTE: See installation manual for full installation requirements and definitions.

INDICATES CUTOUT .....  
INDICATES PRODUCT DATUM .....  
INDICATES CLEARANCES .....

DATE: 26.02.2024 90000134B

IMPORTANT NOTE: Throughout this guide, dimensions may vary by ±2mm (1/16"). Please read the installation manual for detailed information on installing the product. For full installation instructions & specifications visit [www.dcsappliances.com](http://www.dcsappliances.com)

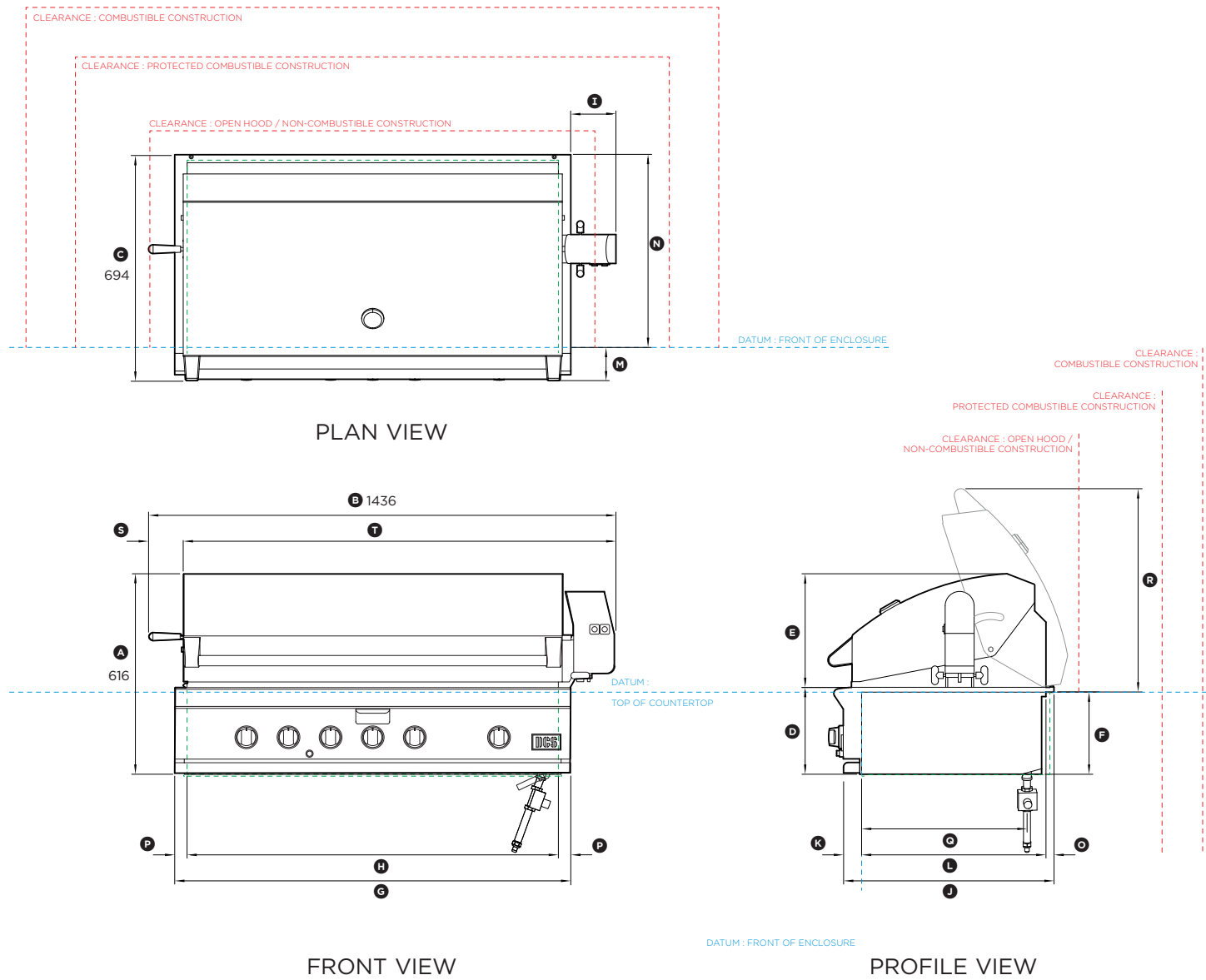


# Data sheet

# 48" Outdoor Grill

Model no:

**BH1-48R** (refer page 1 for imperial measurements)



Dimensions	mm
Ⓐ Overall height of grill	616
Ⓑ Overall width of grill	1436
Ⓒ Overall depth of grill	694
Ⓓ Height of chassis	267
Ⓔ Height from top of hood to top of chassis	349
Ⓕ Height of chassis below countertop	252
Ⓖ Overall width of chassis	1217
Ⓗ Width of chassis inside enclosure	1140
Ⓙ Width from right side of chassis to right side of motor cover	139
Ⓚ Depth from control panel to rear of product	647
Ⓛ Depth from control panel to front datum	56
Ⓜ Depth from front datum to rear of chassis below countertop	567
Ⓝ Depth from front of product to front datum	103
Ⓞ Depth from rear of product to front datum	592
Ⓟ Depth of rear flange	25
Ⓠ Width of side flanges	39
Ⓡ Distance from gas inlet to front datum	509
Ⓢ Height from top of open hood to top of countertop	618
Ⓣ Distance from grip to countertop	106
Ⓤ Overall width of grill without grip	1330

Minimum Clearances	mm
Overall width of cavity	1162
Overall depth of cavity	578
Overall height of cavity	257
Clearance to combustibles*	457
Clearance to protected combustibles*	305
Clearance to non-combustibles*	76

\* Minimum clearance measured from grill base.

NOTE: See installation manual for full installation requirements and definitions.

INDICATES CUTOUT .....  
 INDICATES PRODUCT DATUM .....  
 INDICATES CLEARANCES .....

DATE: 26.02.2024

90000134B

IMPORTANT NOTE: Throughout this guide, dimensions may vary by ±2mm (1/16"). Please read the installation manual for detailed information on installing the product. For full installation instructions & specifications visit [www.dcsappliances.com](http://www.dcsappliances.com)

