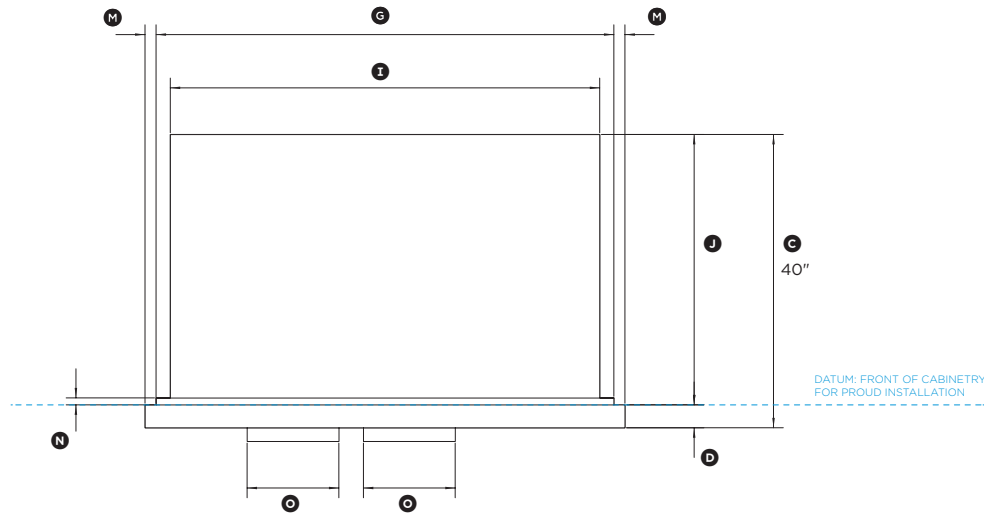
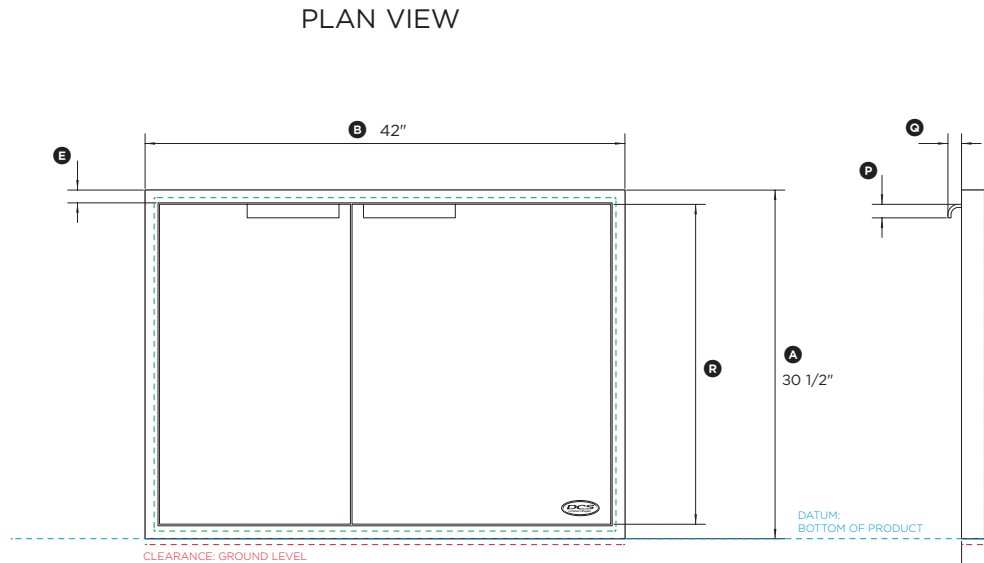


Data sheet

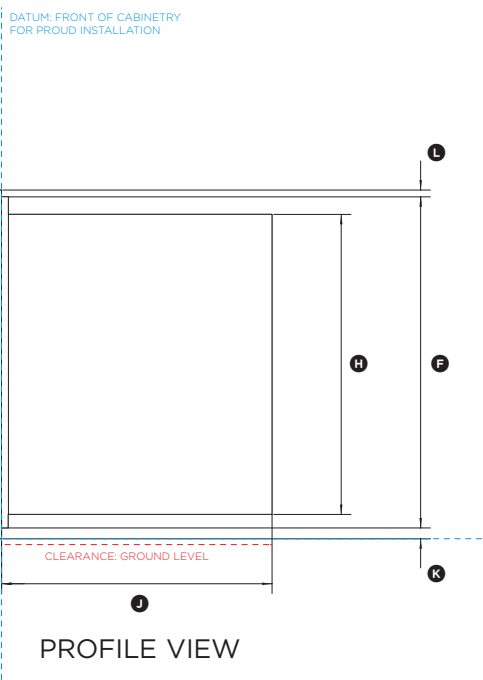
42" Dry Pantry



PLAN VIEW



FRONT VIEW



PROFILE VIEW



Model no:

**DP1-42**

(refer page 2 for metric measurements)

Product Dimensions	in
Ⓐ Overall height of product	30 1/2"
Ⓑ Overall width of product	42"
Ⓒ Overall depth of product (excluding handles)	40"
Ⓓ Depth of front frame	2"
Ⓔ Width of front frame	1 1/8"
Ⓕ Height of outer chassis	29"
Ⓖ Width of outer chassis	40"
Ⓖ Height of inner chassis	26 1/4"
Ⓙ Width of inner chassis	37 9/16"
Ⓚ Overall depth of chassis	23 11/16"
Ⓛ Height of bottom flange	15/16"
Ⓛ Height of top flange	19/32"
Ⓜ Width of side flanges	1"
Ⓝ Depth of flange	5/8"
Ⓞ Width of handles	8"
Ⓟ Height of handles	1 3/16"
Ⓠ Depth of handles	1 3/16"
Ⓡ Height of door fronts	28"

Cutout Dimensions	in
Overall width of cutout	40 7/16"
Overall height of cutout	29 3/16"

Clearance Dimensions	in
Minimum height from ground to bottom of cutout	1 3/16"

IMPORTANT NOTE: This datasheet shows only the proud installation. For full installation and clearance details please refer to our installation manual.

INDICATES CABINETRY / PRODUCT DATUM -----  
 INDICATES CUTOUT -----  
 INDICATES CLEARANCES -----

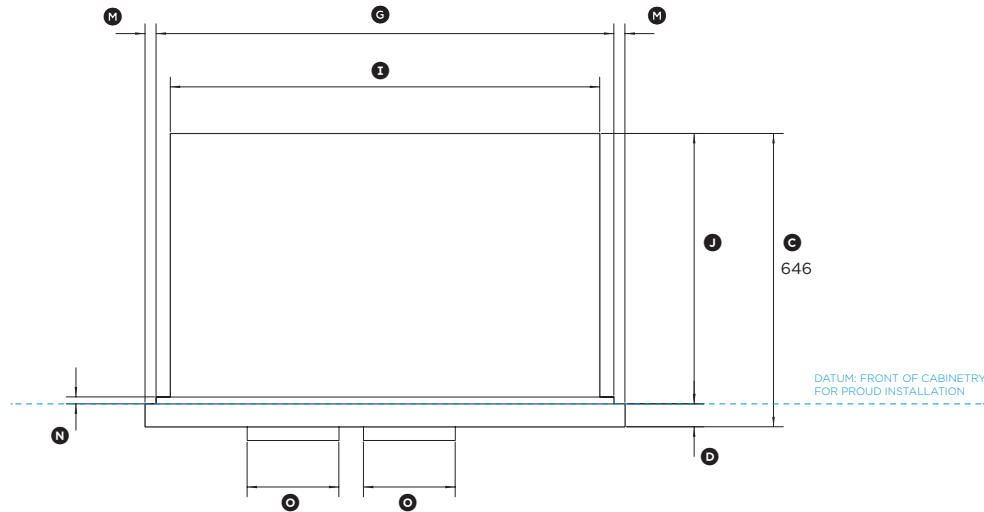
DATE: 28.08.2015

IMPORTANT NOTE: Throughout this guide, dimensions may vary by ±2mm (3/32"). Please read the installation manual for detailed information on installing the product. [www.dcsappliances.com](http://www.dcsappliances.com)

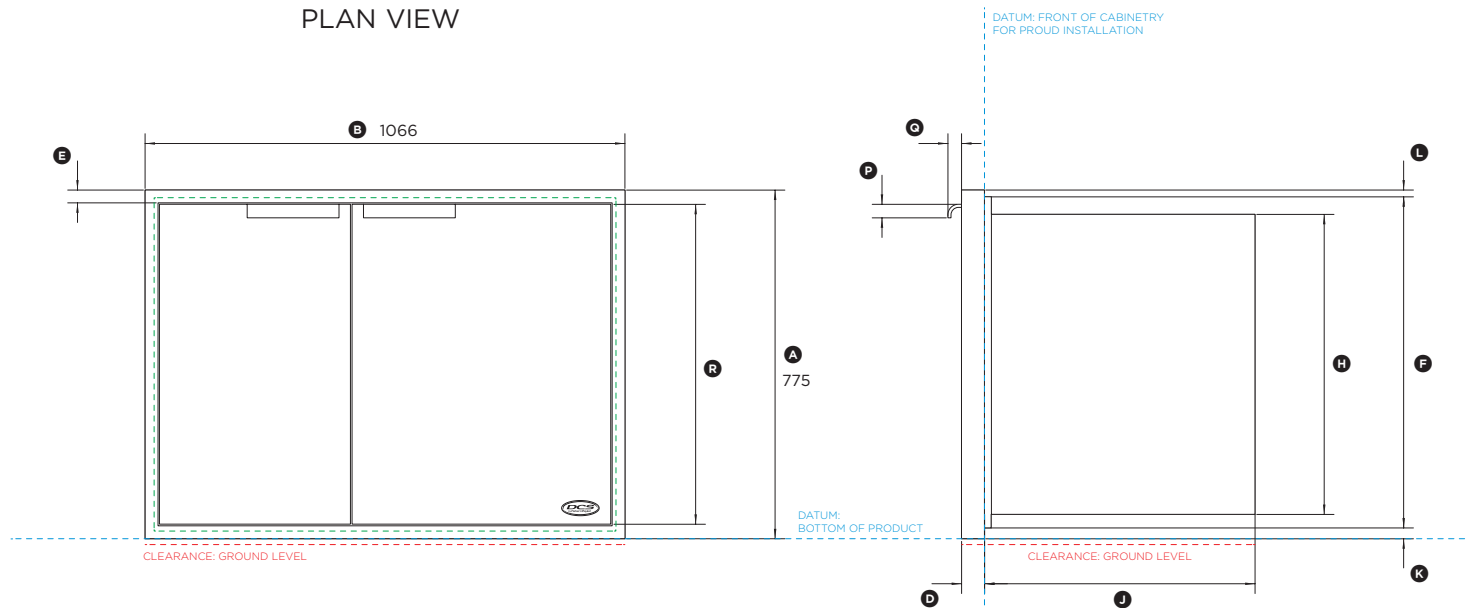


Data sheet

42" Dry Pantry



PLAN VIEW



FRONT VIEW

PROFILE VIEW



Model no:

**DP1-42**

(refer page 1 for imperial measurements)

Product Dimensions	mm
Ⓐ Overall height of product	775
Ⓑ Overall width of product	1066
Ⓒ Overall depth of product (excluding handles)	652
Ⓓ Depth of front frame	51
Ⓔ Width of front frame	28
Ⓕ Height of outer chassis	736
Ⓖ Width of outer chassis	1016
Ⓖ Height of inner chassis	667
Ⓙ Width of inner chassis	954
Ⓚ Overall depth of chassis	601
Ⓛ Height of bottom flange	24
Ⓛ Height of top flange	15
Ⓜ Width of side flanges	25
Ⓜ Depth of flange	15
Ⓝ Width of handles	204
Ⓝ Height of handles	30
Ⓝ Depth of handles	30
Ⓝ Height of door fronts	711

Cutout Dimensions	mm
Overall width of cutout	1026
Overall height of cutout	741

Clearance Dimensions	mm
Minimum height from ground to bottom of cutout	30

IMPORTANT NOTE: This datasheet shows only the proud installation option. For full installation and clearance details please refer to our installation manual.

INDICATES CABINETRY / PRODUCT DATUM -----  
 INDICATES CUTOUT -----  
 INDICATES CLEARANCES -----

DATE: 28.08.2015

IMPORTANT NOTE: Throughout this guide, dimensions may vary by ±2mm (3/32"). Please read the installation manual for detailed information on installing the product. [www.dcsappliances.com](http://www.dcsappliances.com)

