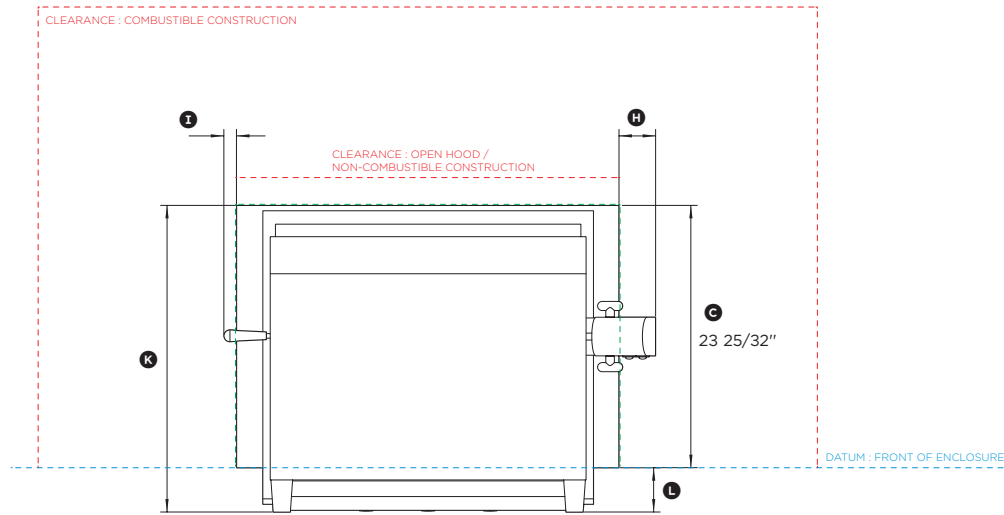
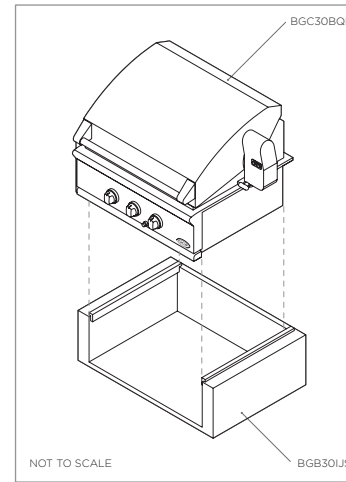


Data sheet

30" Outdoor Grill with Insulation Jacket



PLAN VIEW

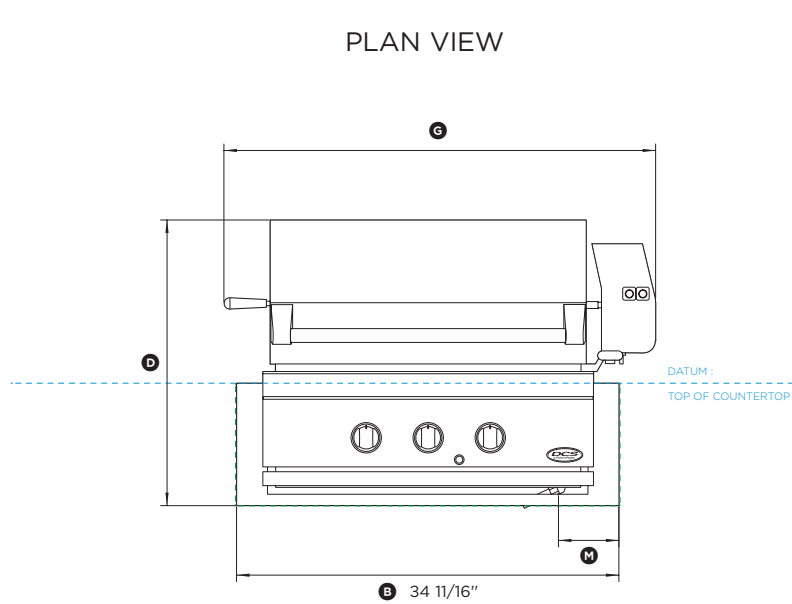


Model no:

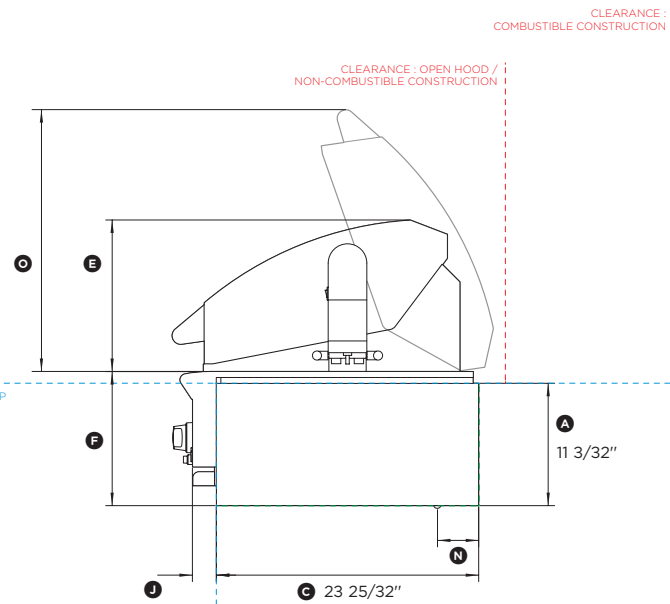
BGC30BQR with BGB30IJS

(refer page 2 for metric measurements)

Dimensions	in
Ⓐ Height of insulation jacket	11 3/32"
Ⓑ Overall width of insulation jacket	34 11/16"
Ⓒ Depth from front datum to rear of insulation jacket	23 25/32"
Ⓓ Overall height of grill with insulation jacket	25 29/32"
Ⓔ Height from top of hood to top of chassis	13 3/4"
Ⓕ Height from top of chassis to bottom of insulation jacket	12 5/32"
Ⓖ Overall width of grill with insulation jacket	39 5/32"
Ⓗ Width from right side of jacket to right side of motor cover	3 11/32"
Ⓘ Width from left side of jacket to end of skewer handle	1 5/32"
Ⓛ Depth from control panel to front datum	2 5/32"
Ⓚ Overall depth of grill with insulation jacket	27 13/16"
Ⓛ Depth from front of product to front datum	4 1/32"
Ⓜ Distance from gas inlet to right side of insulation jacket	5 1/2"
Ⓨ Distance from gas inlet to rear of insulation jacket	3 3/4"
Ⓢ Height from top of open hood to top of chassis	24 5/8"



FRONT VIEW



PROFILE VIEW

Minimum Clearances	in
Overall width of cavity	34 7/8"
Overall depth of cavity	23 3/4"
Overall height of cavity	11 1/8"
Clearance for open hood / non-combustible construction	3"
Clearance to adjacent vertical combustible construction from sides and rear of grill above countertop level	18"

INDICATES CUTOUT -----

INDICATES PRODUCT DATUM -----

INDICATES CLEARANCES -----

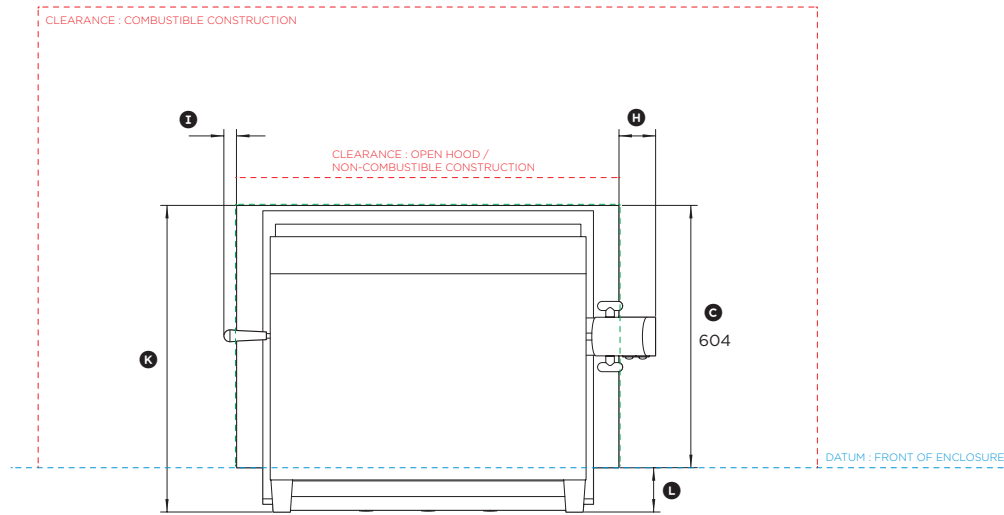
DATE: 01.10.2015

IMPORTANT NOTE: Throughout this guide, dimensions may vary by ±2mm (3/32"). Please read the installation manual for detailed information on installing the product. www.dcsappliances.com

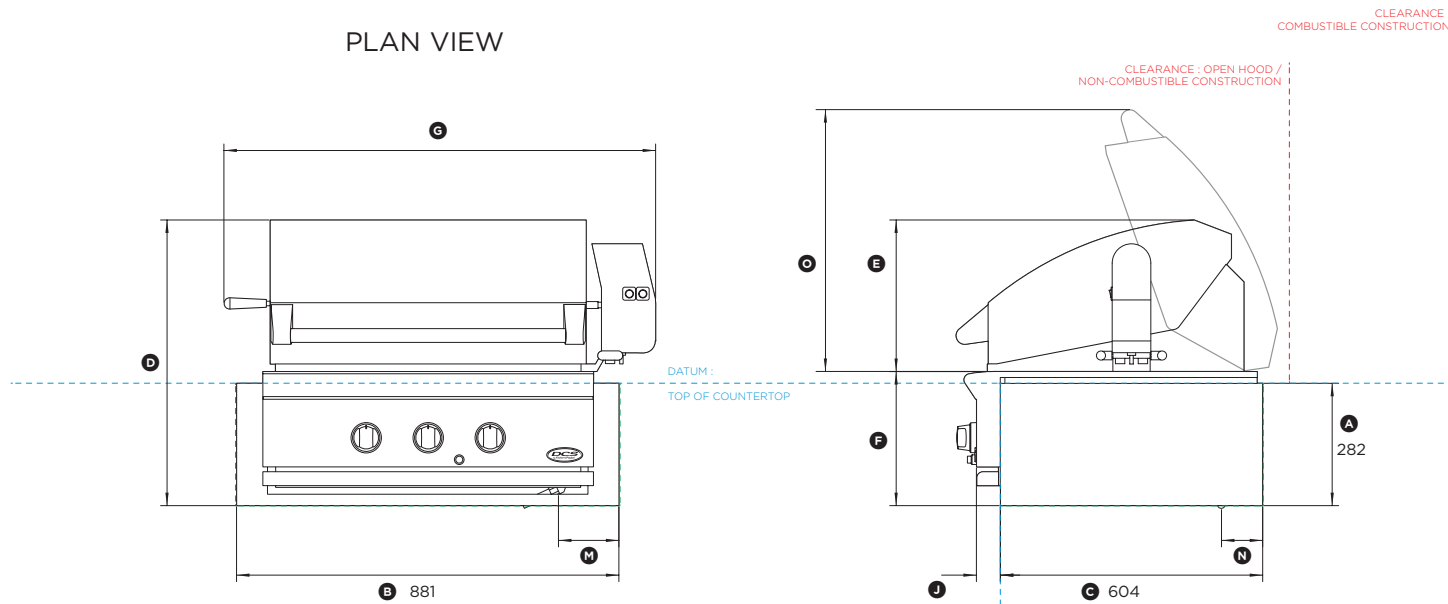
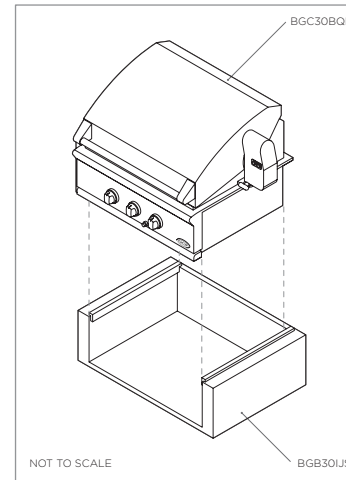


Data sheet

30" Outdoor Grill with Insulation Jacket



PLAN VIEW



FRONT VIEW

PROFILE VIEW

Model no:

BGC30BQR with BGB30IJS

(refer page 1 for imperial measurements)

Dimensions	mm
Ⓐ Height of insulation jacket	282
Ⓑ Overall width of insulation jacket	881
Ⓒ Depth from front datum to rear of insulation jacket	604
Ⓓ Overall height of grill with insulation jacket	658
Ⓔ Height from top of hood to top of chassis	349
Ⓕ Height from top of chassis to bottom of insulation jacket	309
Ⓖ Overall width of grill with insulation jacket	995
Ⓗ Width from right side of jacket to right side of motor cover	85
Ⓘ Width from left side of jacket to end of skewer handle	29
Ⓛ Depth from control panel to front datum	55
Ⓚ Overall depth of grill with insulation jacket	706
Ⓛ Depth from front of product to front datum	103
Ⓜ Distance from gas inlet to right side of insulation jacket	139
Ⓨ Distance from gas inlet to rear of insulation jacket	95
Ⓢ Height from top of open hood to top of chassis	626

Minimum Clearances	mm
Overall width of cavity	886
Overall depth of cavity	603
Overall height of cavity	283
Clearance for open hood / non-combustible construction	76
Clearance to adjacent vertical combustible construction from sides and rear of grill above countertop level	457

INDICATES CUTOUT
 INDICATES PRODUCT DATUM
 INDICATES CLEARANCES

DATE: 01.10.2015

IMPORTANT NOTE: Throughout this guide, dimensions may vary by ±2mm (3/32"). Please read the installation manual for detailed information on installing the product. www.dcsappliances.com

