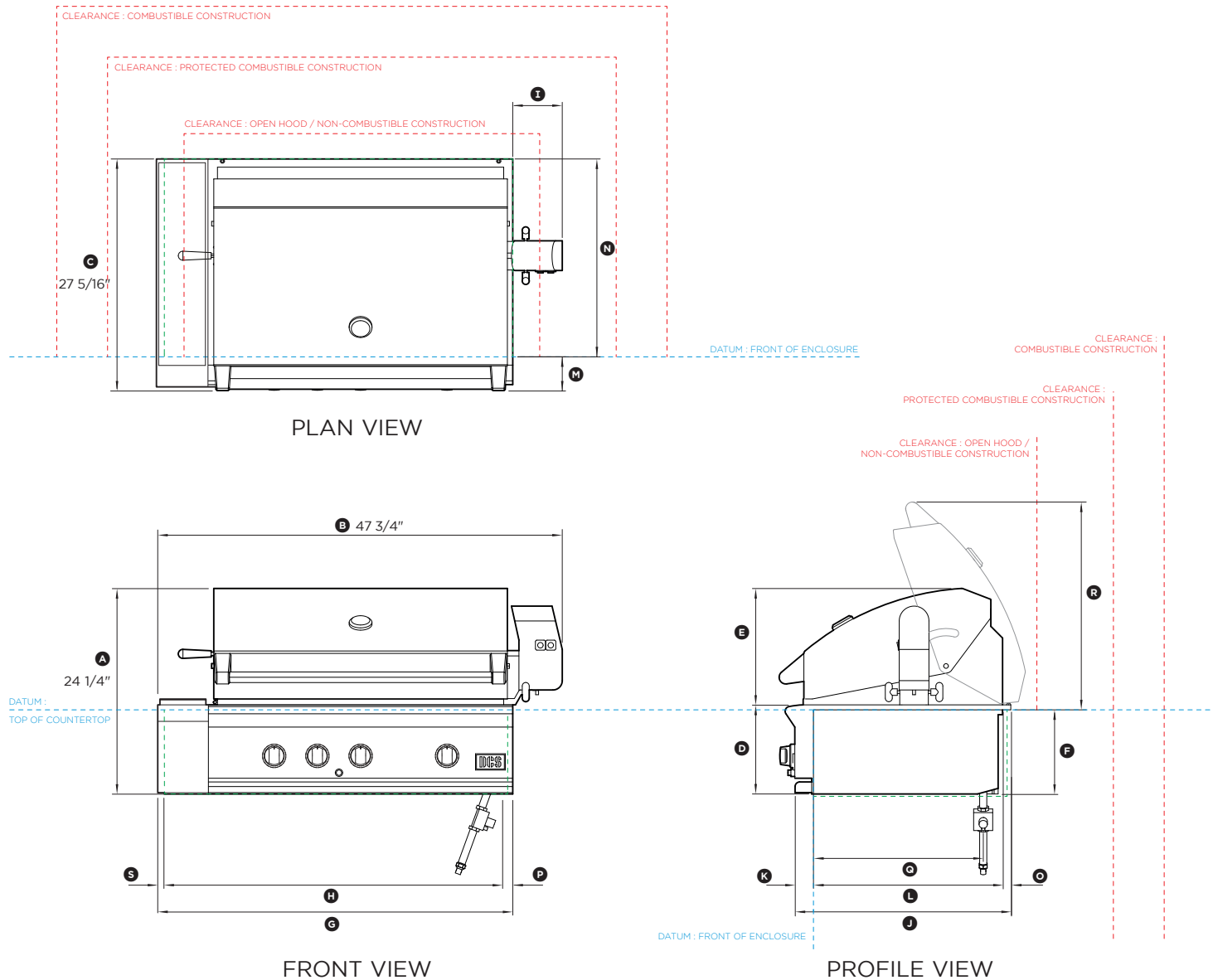


Data sheet



36" Outdoor Grill

Model no:

BH1-36RI-N, BH1-36RI-L with ASH6-36

(refer page 2 for metric measurements)

Dimensions	in
Ⓐ Overall height of grill	24 1/4"
Ⓑ Overall width of grill	47 3/4"
Ⓒ Overall depth of grill	27 5/16"
Ⓓ Height of chassis	10 1/2"
Ⓔ Height from top of hood to top of chassis	13 3/4"
Ⓕ Height of chassis below countertop	9 15/16"
Ⓖ Overall width of chassis	41 15/16"
Ⓗ Width of chassis inside enclosure	39 15/16"
Ⓘ Width from right side of chassis to right side of motor cover	5 13/16"
Ⓚ Depth from control panel to rear of product	25 1/2"
Ⓛ Depth from control panel to front datum	2 3/16"
Ⓚ Depth from front datum to rear of chassis below countertop	20 1/16"
Ⓜ Depth from front of product to front datum	4 1/16"
Ⓝ Depth from rear of product to front datum	23 5/16"
Ⓟ Depth of rear flange	1"
Ⓠ Width of side flanges	1 1/8"
Ⓡ Distance from center of gas inlet to front datum	20 1/16"
Ⓢ Height from top of open hood to top of countertop	24 5/16"
Ⓣ Width of left side flange	13/16"

Minimum Clearances	in
Overall width of cavity	40 1/8"
Overall depth of cavity	22 3/4"
Overall height of cavity	10 1/8"
Clearance to combustible construction*	18"
Clearance to protected combustible construction*	12"
Clearance to non-combustible construction*	3"

* Minimum clearance measured from grill base.

NOTE: See installation manual for full installation requirements and definitions.

INDICATES CUTOUT -----
 INDICATES PRODUCT DATUM -----
 INDICATES CLEARANCES -----

DATE: 09.12.2022

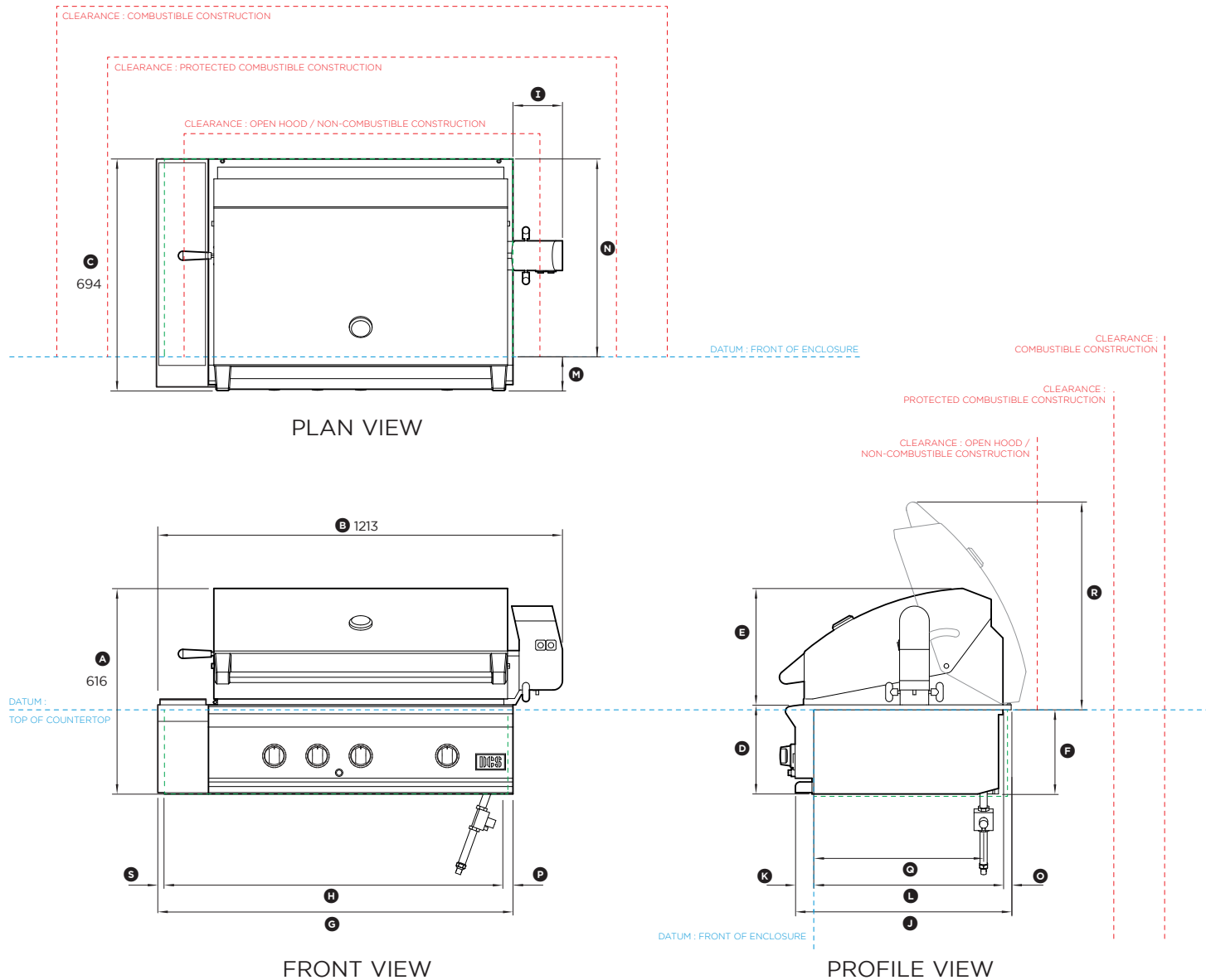
90002899A

IMPORTANT NOTE: Throughout this guide, dimensions may vary by ±2mm (1/16"). Please read the installation manual for detailed information on installing the product. For full installation instructions & specifications visit www.dcsappliances.com



DCS

Data sheet



36" Outdoor Grill

Model no:

BH1-36RI-N, BH1-36RI-L with ASH6-36

(refer page 1 for imperial measurements)

Dimensions	mm
A Overall height of grill	616
B Overall width of grill	1213
C Overall depth of grill	694
D Height of chassis	267
E Height from top of hood to top of chassis	349
F Height of chassis below countertop	252
G Overall width of chassis	1065
H Width of chassis inside enclosure	1015
I Width from right side of chassis to right side of motor cover	148
J Depth from control panel to rear of product	647
K Depth from control panel to front datum	55
L Depth from front datum to rear of chassis below countertop	509
M Depth from front of product to front datum	103
N Depth from rear of product to front datum	592
O Depth of rear flange	25
P Width of side flanges	29
Q Distance from center of gas inlet to front datum	509
R Height from top of open hood to top of countertop	618
S Width of left side flange	20

Minimum Clearances	mm
Overall width of cavity	1019
Overall depth of cavity	578
Overall height of cavity	257
Clearance to combustible construction*	457
Clearance to protected combustible construction*	305
Clearance to non-combustible construction*	76

* Minimum clearance measured from grill base.

NOTE: See installation manual for full installation requirements and definitions.

INDICATES CUTOUT
 INDICATES PRODUCT DATUM
 INDICATES CLEARANCES

DATE: 09.12.2022

90002899A

IMPORTANT NOTE: Throughout this guide, dimensions may vary by $\pm 2\text{mm}$ (1/16"). Please read the installation manual for detailed information on installing the product. For full installation instructions & specifications visit www.dcsappliances.com

0 100 200 400
 millimetres

DCS