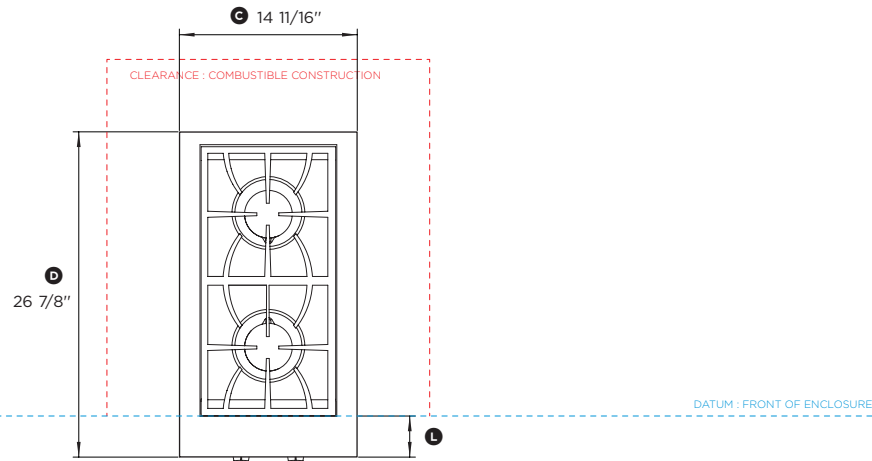
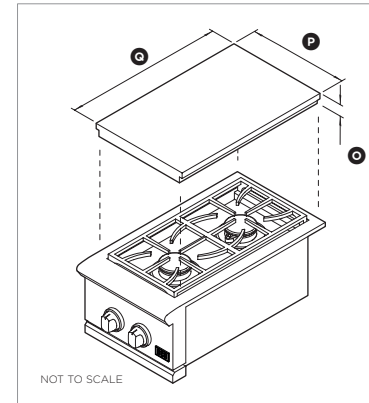


Model no:

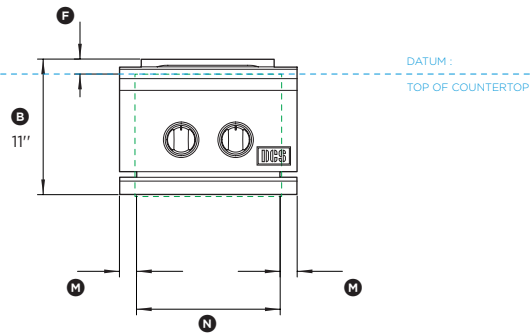
SBE1 (refer page 2 for metric measurements)



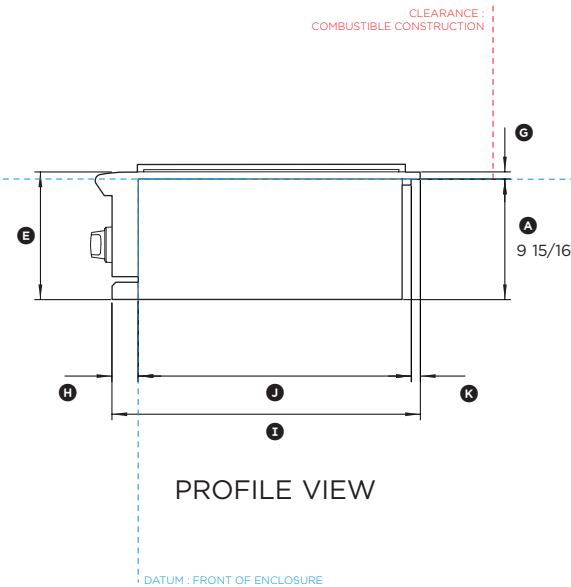
PLAN VIEW



| Dimensions | in |
|--|-----------|
| A Height below countertop datum to bottom of chassis | 9 15/16" |
| B Overall height of grill | 11 1/4" |
| C Overall width of grill | 14 11/16" |
| D Overall depth of grill (excluding knobs) | 26 7/8" |
| E Height of chassis | 10 5/8" |
| F Height above countertop | 1 1/4" |
| G Height of chassis above countertop | 9/16" |
| H Depth of control panel to front datum | 2 3/16" |
| I Depth from control panel to rear of product | 25 1/2" |
| J Depth from front datum to rear of chassis below countertop | 22 9/16" |
| K Depth of rear flange | 3/4" |
| L Depth from chassis bullnose to front datum | 3 3/8" |
| M Width of side flanges | 1 7/16" |
| N Width of chassis inside enclosure | 11 7/8" |
| O Height of lid | 1 11/16" |
| P Width of lid | 14 3/8" |
| Q Depth of lid | 23" |



FRONT VIEW



PROFILE VIEW

| Minimum Clearances | in |
|--|---------|
| Overall width of cavity | 12 1/8" |
| Overall depth of cavity | 22 3/4" |
| Overall height of cavity | 10 1/8" |
| Clearance to vertical combustible surface above countertop at rear and sides | 6" |

INDICATES CUTOUT
 INDICATES PRODUCT / CABINERY DATUM
 INDICATES CLEARANCES

DATE: 27.02.2024

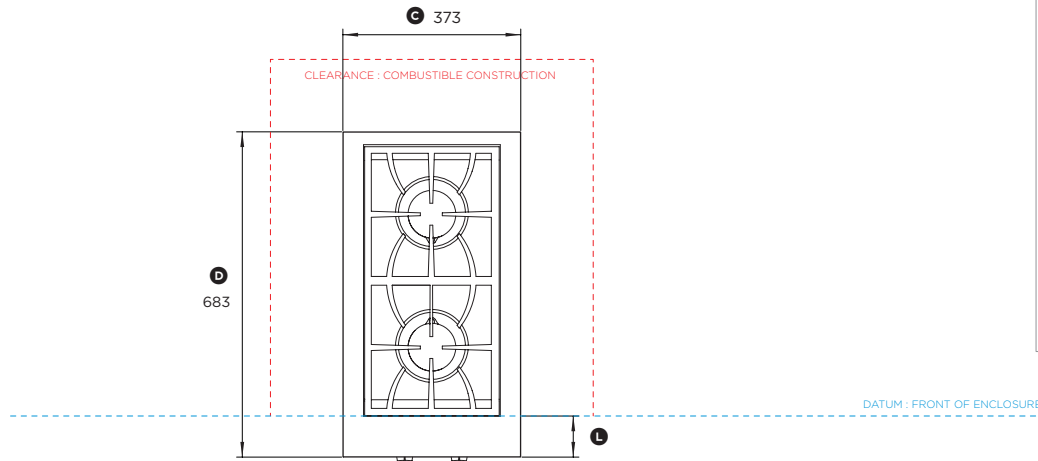
20000589B

IMPORTANT NOTE: Throughout this guide, dimensions may vary by ±2mm (1/16"). Please read the installation manual for detailed information on installing the product. www.dcsappliances.com

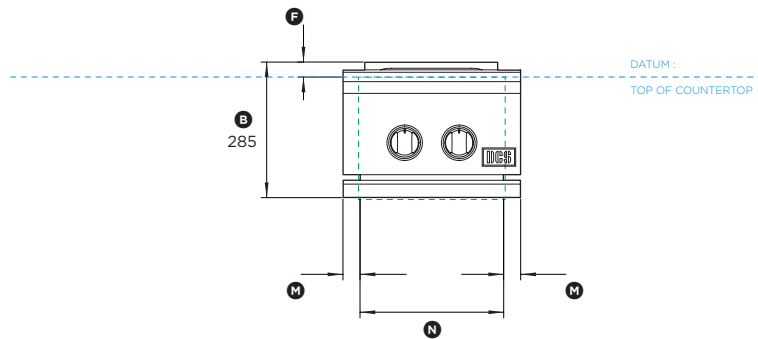
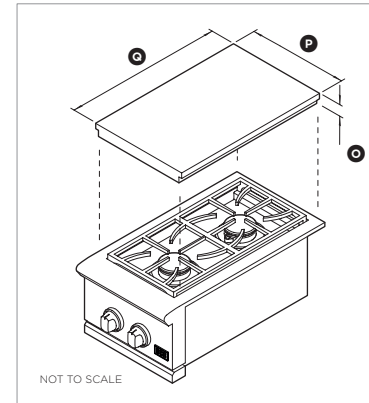


Model no:

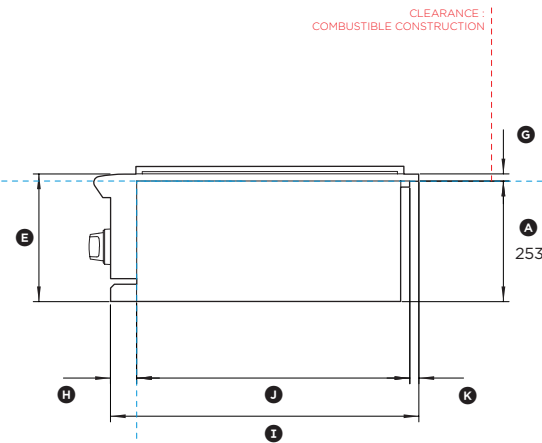
SBE1 (refer page 1 for imperial measurements)



PLAN VIEW



FRONT VIEW



PROFILE VIEW

Dimensions

| | mm |
|--|-----|
| Ⓐ Height below countertop datum to bottom of chassis | 253 |
| Ⓑ Overall height of grill | 285 |
| Ⓒ Overall width of grill | 373 |
| Ⓓ Overall depth of grill (excluding knobs) | 683 |
| Ⓔ Height of chassis | 268 |
| Ⓕ Height above countertop | 32 |
| Ⓖ Height of chassis above countertop | 15 |
| Ⓗ Depth of control panel to front datum | 55 |
| Ⓙ Depth from control panel to rear of product | 648 |
| Ⓚ Depth from front datum to rear of chassis below countertop | 573 |
| Ⓛ Depth of rear flange | 19 |
| Ⓛ Depth from chassis bullnose to front datum | 87 |
| Ⓜ Width of side flanges | 36 |
| Ⓝ Width of chassis inside enclosure | 301 |
| Ⓞ Height of lid | 43 |
| Ⓟ Width of lid | 365 |
| Ⓠ Depth of lid | 585 |

Minimum Clearances

| | mm |
|--|-----|
| Overall width of cavity | 308 |
| Overall depth of cavity | 578 |
| Overall height of cavity | 257 |
| Clearance to vertical combustible surface above countertop at rear and sides | 152 |

INDICATES CUTOUT
 INDICATES PRODUCT / CABINETRY DATUM
 INDICATES CLEARANCES

DATE: 27.02.2024

20000589B

IMPORTANT NOTE: Throughout this guide, dimensions may vary by ±2mm (1/16"). Please read the installation manual for detailed information on installing the product. www.dcsappliances.com

