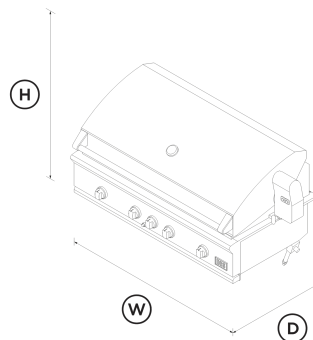


## 48" Series 7 Grill, Rotisserie and Infrared Sear Burner, Natural Gas



Height	24 1/4 "
Width	47 7/8 "
Depth	26 5/8 "



Taking your grilling experience to the next level, this Series 7 built-in 48" grill provides the ultimate grilling space for premium outdoor kitchens.

- Infrared sear burner for incredibly fast searing up to 24,000 BTU/hr
- Cater for a crowd with the secondary cooking surface
- Build into an outdoor BBQ island, or add a cart for a freestanding grill
- U-burners deliver 25,000 BTU/hr total power per burner with precise heat control from 300°F to 1100°F

### DIMENSIONS

### FEATURES & BENEFITS

#### The Perfect Sear

A dedicated searing zone with a dynamic infrared burner allows you to experience a new level of versatility, using a range of cooking methods. The improved dual rail design offers increased control and faster heating, so you can achieve the perfect sear every time.

#### Smart Beam™ Grill Light

A halogen light is designed to illuminate the entire cooking surface, ideal for night-time grilling.

#### Heavy-Duty Infrared Rotisserie

An infrared rotisserie burner provides controlled searing heat up to 18,000BTU. Perfect for entertaining, the heavy-duty motor can easily turn a 50lb load. The rotisserie rod is conveniently stored under the drip pan handle.

#### Temperature Gauge

Designed for monitoring internal air temperature, the temperature gauge lets you know exactly how hot the grill is - perfect for cooking pizzas or preparing roast meals.

#### Dual-Sided Grate

One side has a gentle radius for handling delicate foods, such as chicken, fish and vegetables. The other side is W-shaped for perfect sear lines while channeling oil away to an easily removable drip tray.

#### Extra Cooking Area

Effortlessly cook for a crowd with a secondary cooking space. You can fit a grill pan for slow cooking, roasting and making sauces, or to keep food warm after searing.

#### Grease Management System™

Our Grease Management System™ reduces flare-ups by channelling grease and oils away from the burner flames during grilling.

### SPECIFICATIONS

#### Accessories (sold separately)

6" accessory storage	ASH6-48
Built-in grill cover	ACBI-48
Griddle plate	BGC-GP
Insulated jacket	BGA48-IJS (optional)
Insulated jacket (with storage accessory unit)	BGA54-IJS (optional)
On cart grill cover	ACC-48

Optional cart mount	<b>CAD1-48</b>
<hr/>	
<b>Burners</b>	
Number of U-burners	<b>3</b>
Sear burner zone	<b>•</b>
<hr/>	
<b>Cooking Surface Area</b>	
Primary cooking area	<b>855 sq.in.</b>
Total cooking area	<b>1182 sq.in.</b>
Warming rack area	<b>327 sq.in.</b>
<hr/>	
<b>Features</b>	
Double sided Stainless Steel grilling grates	<b>•</b>
Full surface searing	<b>•</b>
Grease management system™	<b>•</b>
Hood temperature gauge	<b>•</b>
Ignition system	<b>Spark</b>
Metal dials	<b>•</b>
Rotisserie	<b>•</b>
Warming rack	<b>•</b>
Wireless temperature sensor compatible	<b>•</b>
<hr/>	
<b>Finish</b>	
Material	<b>304 grade stainless steel</b>
Weather resistant	<b>•</b>

<b>Gas Requirements</b>	
1/2" NPT male with 3/8" in flare adapter	<b>•</b>
Gas type	<b>NG</b>
Operational pressure	<b>4" W.C.</b>
Supply pressure	<b>6" to 9" W.C.</b>

<b>Installation Dimensions</b>	
Cutout depth (proud)	<b>22 3/4 "</b>
Cutout height (proud)	<b>10 1/8 "</b>
Cutout width (proud)	<b>45 3/4 "</b>
Insulated jacket for proud cut-out	<b>Varies - check manual</b>

<b>Performance</b>	
Rotisserie burner power	<b>18000 BTU</b>
Sear burner power	<b>24000 BTU</b>
Total Power	<b>117000 BTU</b>
U-burner power	<b>25000 BTU</b>
Weight rotisserie can handle	<b>50 lbs</b>

<b>Power requirements</b>	
Grill power supply	<b>9V Battery for Ignition</b>
Rotisserie power supply	<b>120V 60Hz</b>

<b>Product dimensions</b>	
Packaged weight	<b>348 lbs</b>
Width including rotisserie	<b>56 3/8 "</b>

SKU 71595

The product dimensions and specifications in this page apply to the specific product and model. Under our policy of continuous improvement, these dimensions and specifications may change at any time. You should therefore check with Fisher & Paykel's Customer Care Centre to ensure this page correctly describes the model currently available. © DCS by Fisher & Paykel Appliances Limited 2020

**Other product downloads available at [dcsappliances.com](https://www.dcsappliances.com)**

- [↓ Installation Guide \(English\)](#)
- [↓ Installation Guide \(English\)](#)
- [↓ Installation Guide \(Canadian French\)](#)
- [↓ Installation Guide \(Canadian French\)](#)
- [↓ Installation Guide \(Spanish\)](#)
- [↓ Installation Guide \(Spanish\)](#)
- [↓ Planning Guide \(English\)](#)
- [↓ Planning Guide - Professional Grills Series 7 Outdoor Kitchen \(Canadian French\)](#)
- [↓ Planning Guide - Professional Grills Series 7 Outdoor Kitchen \(Spanish\)](#)
- [↓ Right To Repair Declaration \(English, French\)](#)
- [↓ Service & Warranty \(English, Canadian French\)](#)
- [↓ User Guide \(English\)](#)
- [↓ User Guide \(Canadian French\)](#)
- [↓ User Guide \(Spanish\)](#)

**A PEACE OF MIND SALE**  
**24 Hours 7 Days a Week Customer Support**  
 T 1.888.936.7872 W [www.dcsappliances.com](https://www.dcsappliances.com)

