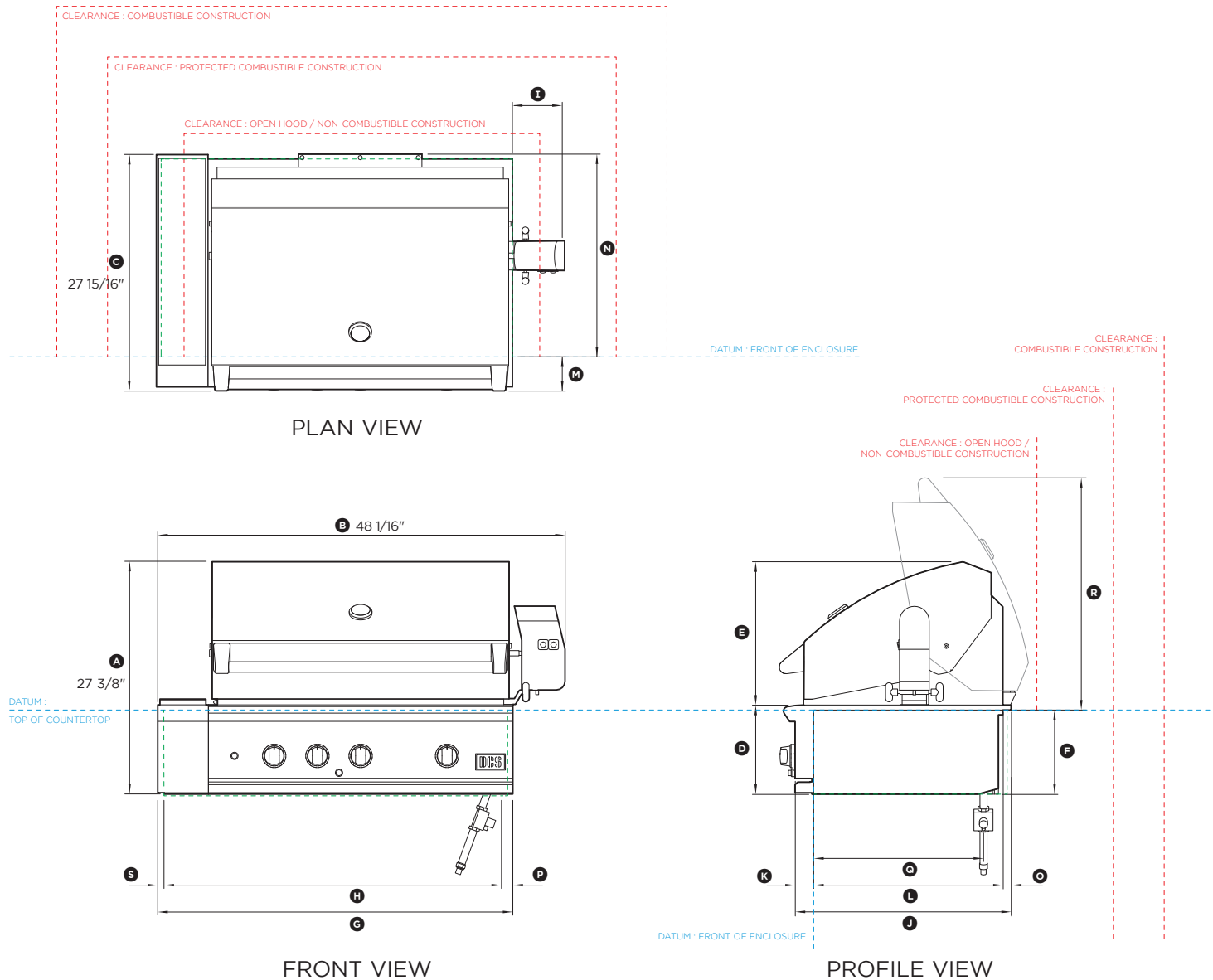


## Data sheet



## 36" Outdoor Grill

Model no:

**BE1-36RCI-N, BE1-36RCI-L with ASE6-36**

(refer page 2 for metric measurements)

Dimensions	in
Ⓐ Overall height of grill	27 3/8"
Ⓑ Overall width of grill	48 1/16"
Ⓒ Overall depth of grill	27 15/16"
Ⓓ Height of chassis	10 1/2"
Ⓔ Height from top of hood to top of chassis	16 7/8"
Ⓕ Height of chassis below countertop	9 15/16"
Ⓖ Overall width of chassis	41 15/16"
Ⓗ Width of chassis inside enclosure	39 15/16"
Ⓙ Width from right side of chassis to right side of motor cover	6 1/8"
Ⓚ Depth from control panel to rear of product	25 1/2"
Ⓛ Depth from control panel to front datum	2 3/16"
Ⓜ Depth from front datum to rear of chassis below countertop	22 5/16"
Ⓝ Depth from front of product to front datum	4 1/16"
Ⓞ Depth from rear of product to front datum	23 7/8"
Ⓟ Depth of rear flange	1"
Ⓠ Width of side flanges	1 1/8"
Ⓡ Distance from gas inlet to front datum	20 1/16"
Ⓢ Height from top of open hood to top of countertop	27 3/16"
Ⓣ Width of left side flange	13/16"

Minimum Clearances	in
Overall width of cavity	40 1/8"
Overall depth of cavity	22 3/4"
Overall height of cavity	10 1/8"
Clearance to combustible construction*	18"
Clearance to protected combustible construction*	12"
Clearance to non-combustible construction*	3"

\* Minimum clearance measured from grill base.

NOTE: See installation manual for full installation requirements and definitions.

INDICATES CUTOUT -----  
 INDICATES PRODUCT DATUM -----  
 INDICATES CLEARANCES -----

DATE: 09.12.2022

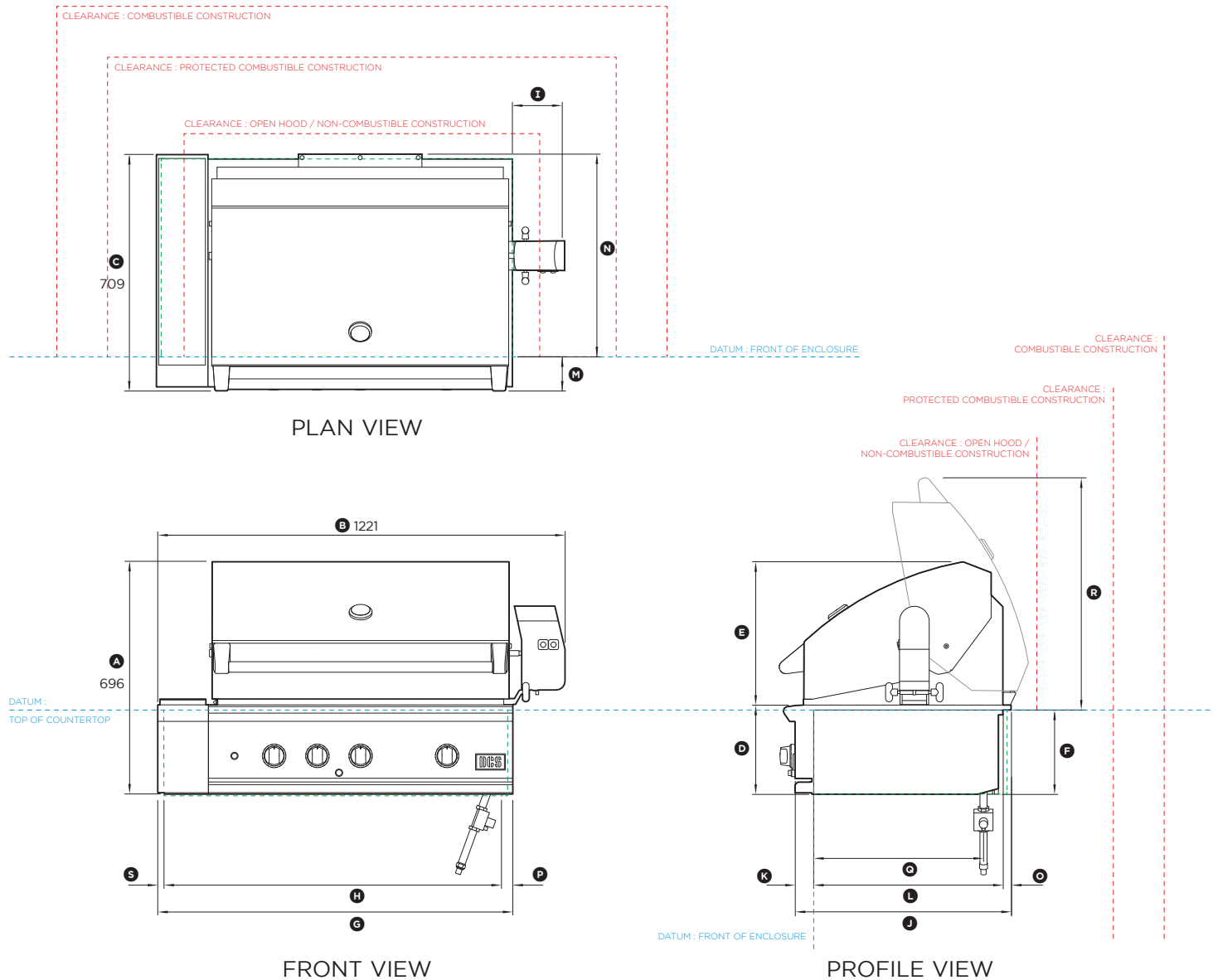
90002889A

IMPORTANT NOTE: Throughout this guide, dimensions may vary by ±2mm (1/16"). Please read the installation manual for detailed information on installing the product. For full installation instructions & specifications visit [www.dcsappliances.com](http://www.dcsappliances.com)



**DCS**

## Data sheet



## 36" Outdoor Grill

Model no:

**BE1-36RCI-N, BE1-36RCI-L with ASE6-36**

(refer page 1 for imperial measurements)

Dimensions	mm
Ⓐ Overall height of grill	696
Ⓑ Overall width of grill	1221
Ⓒ Overall depth of grill	709
Ⓓ Height of chassis	267
Ⓔ Height from top of hood to top of chassis	429
Ⓕ Height of chassis below countertop	252
Ⓖ Overall width of chassis	1065
Ⓗ Width of chassis inside enclosure	1015
Ⓘ Width from right side of chassis to right side of motor cover	156
Ⓚ Depth from control panel to rear of product	647
Ⓛ Depth from control panel to front datum	56
Ⓚ Depth from front datum to rear of chassis below countertop	567
Ⓛ Depth from front of product to front datum	103
Ⓛ Depth from rear of product to front datum	606
Ⓛ Depth of rear flange	25
Ⓛ Width of side flanges	29
Ⓛ Distance from center of gas inlet to front datum	509
Ⓛ Height from top of open hood to top of countertop	691
Ⓛ Width of left side flange	20

Minimum Clearances	mm
Overall width of cavity	1019
Overall depth of cavity	578
Overall height of cavity	257
Clearance to combustible construction*	457
Clearance to protected combustible construction*	305
Clearance to non-combustible construction*	76

\* Minimum clearance measured from grill base.

NOTE: See installation manual for full installation requirements and definitions.

INDICATES CUTOUT -----  
 INDICATES PRODUCT DATUM -----  
 INDICATES CLEARANCES -----

DATE: 09.12.2022

90002889A

IMPORTANT NOTE: Throughout this guide, dimensions may vary by  $\pm 2\text{mm}$  (1/16"). Please read the installation manual for detailed information on installing the product. For full installation instructions & specifications visit [www.dcsappliances.com](http://www.dcsappliances.com)

0 100 200 400  
 millimetres

**DCS**