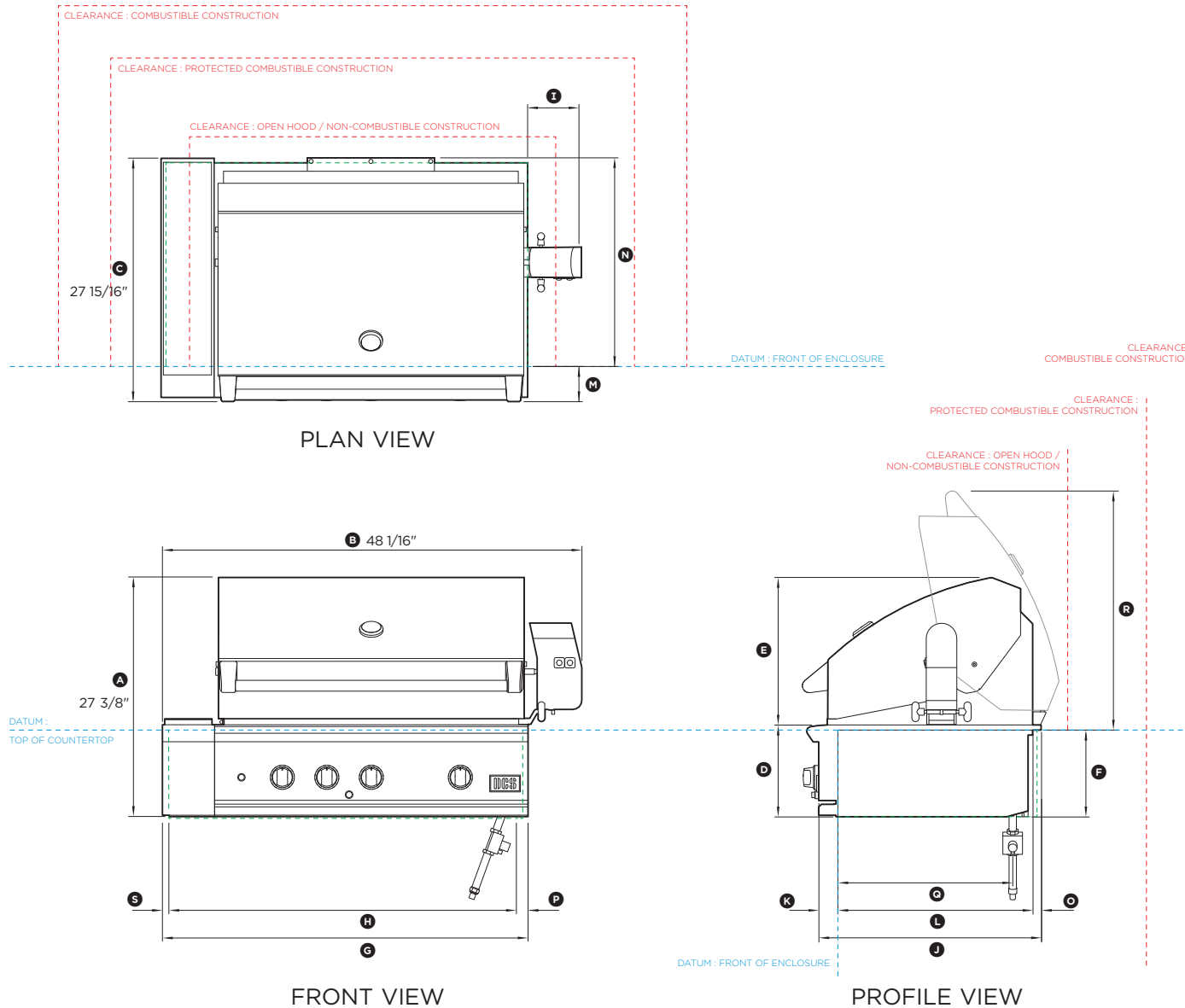


## Data sheet

## 36" Outdoor Grill

Model no:

**BE1-36RC with ASE6-36** (refer page 2 for metric measurements)



Dimensions	in
A Overall height of grill	27 3/8"
B Overall width of grill	48 1/16"
C Overall depth of grill	27 15/16"
D Height of chassis	10 1/2"
E Height from top of hood to top of chassis	16 7/8"
F Height of chassis below countertop	9 15/16"
G Overall width of chassis	41 15/16"
H Width of chassis inside enclosure	39 15/16"
I Width from right side of chassis to right side of motor cover	6 1/8"
J Depth from control panel to rear of product	25 1/2"
K Depth from control panel to front datum	2 3/16"
L Depth from front datum to rear of chassis below countertop	22 5/16"
M Depth from front of product to front datum	4 1/16"
N Depth from rear of product to front datum	23 7/8"
O Depth of rear flange	1"
P Width of side flanges	1 1/8"
Q Distance from gas inlet to front datum	20 1/16"
R Height from top of open hood to top of countertop	27 3/16"
S Width of left side flange	13/16"

Minimum Clearances	in
Overall width of cavity	40 1/16"
Overall depth of cavity	22 3/4"
Overall height of cavity	10 1/8"
Clearance to combustible construction*	18"
Clearance to protected combustible construction*	12"
Clearance to non-combustible construction*	3"

\* Minimum clearance measured from grill base.

NOTE: See installation manual for full installation requirements and definitions.

INDICATES CUTOUT -----  
 INDICATES PRODUCT DATUM -----  
 INDICATES CLEARANCES -----

DATE: 26.02.2024

9000052B

IMPORTANT NOTE: Throughout this guide, dimensions may vary by ±2mm (1/16"). Please read the installation manual for detailed information on installing the product. For full installation instructions & specifications visit [www.dcsappliances.com](http://www.dcsappliances.com)



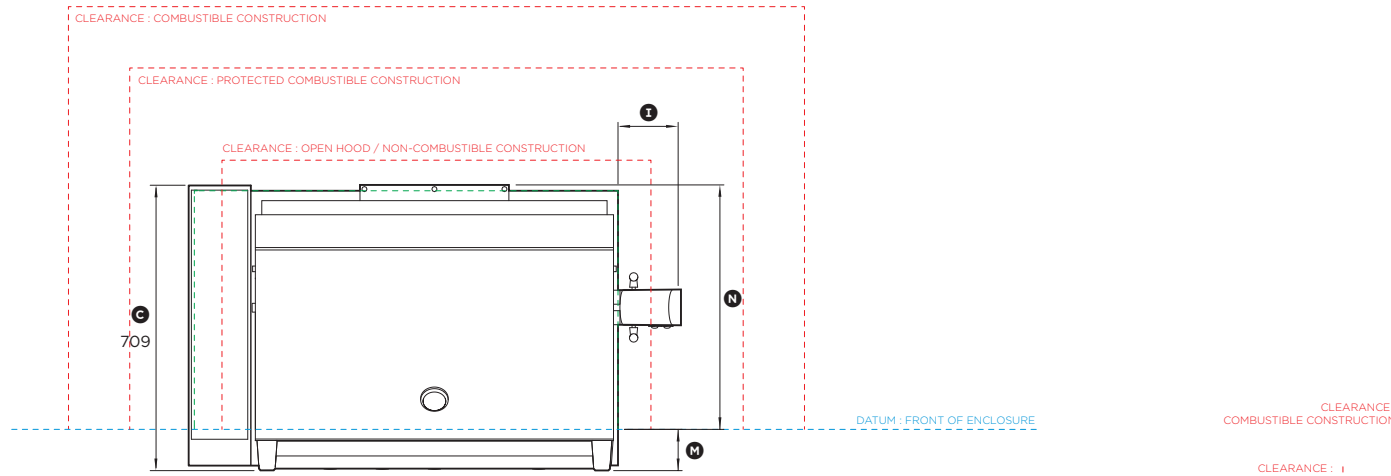
**DCS**

# Data sheet

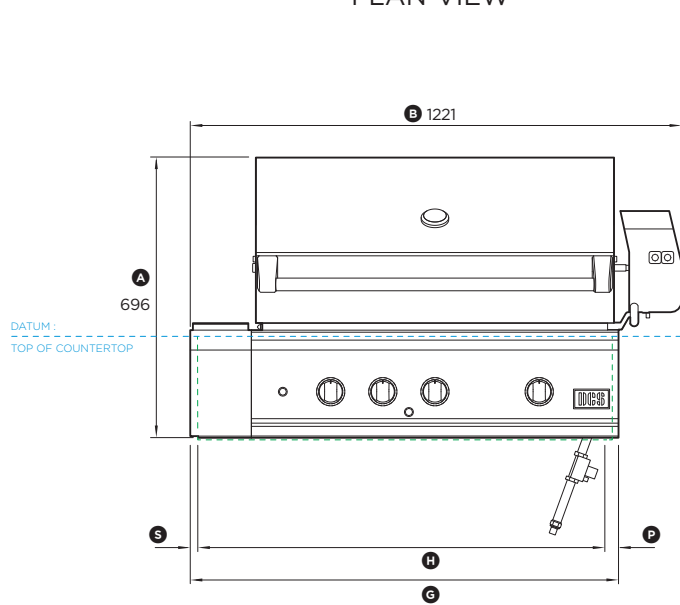
# 36" Outdoor Grill

Model no:

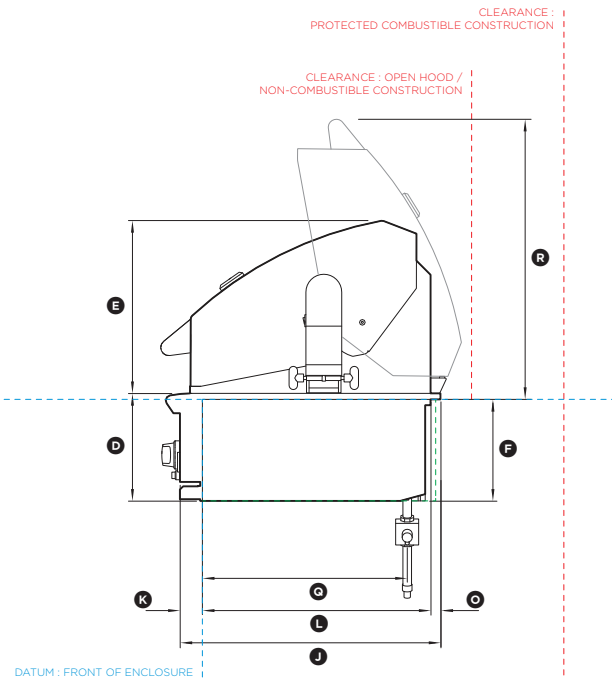
**BE1-36RC with ASE6-36** (refer page 1 for imperial measurements)



PLAN VIEW



FRONT VIEW



PROFILE VIEW

Dimensions	mm
Ⓐ Overall height of grill	696
Ⓑ Overall width of grill	1221
Ⓒ Overall depth of grill	709
Ⓓ Height of chassis	267
Ⓔ Height from top of hood to top of chassis	429
Ⓕ Height of chassis below countertop	252
Ⓖ Overall width of chassis	1065
Ⓗ Width of chassis inside enclosure	1015
Ⓘ Width from right side of chassis to right side of motor cover	156
Ⓚ Depth from control panel to rear of product	647
Ⓛ Depth from control panel to front datum	56
Ⓚ Depth from front datum to rear of chassis below countertop	567
Ⓜ Depth from front of product to front datum	103
Ⓝ Depth from rear of product to front datum	606
Ⓟ Depth of rear flange	25
Ⓠ Width of side flanges	29
Ⓡ Distance from gas inlet to front datum	509
Ⓢ Height from top of open hood to top of countertop	691
Ⓣ Width of left side flange	20

Minimum Clearances	mm
Overall width of cavity	1018
Overall depth of cavity	578
Overall height of cavity	257
Clearance to combustible construction*	457
Clearance to protected combustible construction*	305
Clearance to non-combustible construction*	76

\* Minimum clearance measured from grill base.  
NOTE: See installation manual for full installation requirements and definitions.

INDICATES CUTOUT .....  
INDICATES PRODUCT DATUM .....  
INDICATES CLEARANCES .....

DATE: 26.02.2024

90000052B

IMPORTANT NOTE: Throughout this guide, dimensions may vary by ±2mm (1/16"). Please read the installation manual for detailed information on installing the product. For full installation instructions & specifications visit [www.dcsappliances.com](http://www.dcsappliances.com)

