

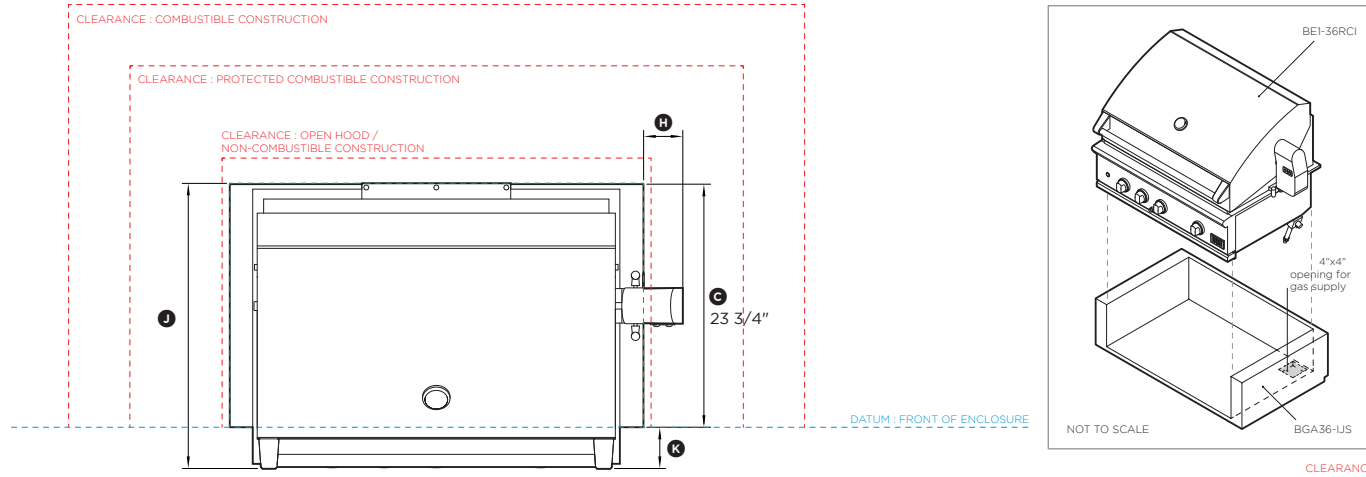
Data sheet

36" Outdoor Grill with Insulation Jacket

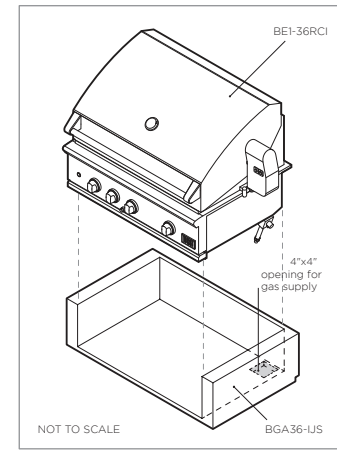
Model no:

BE1-36RCI-N, BE1-36RCI-L with BGA36-IJS

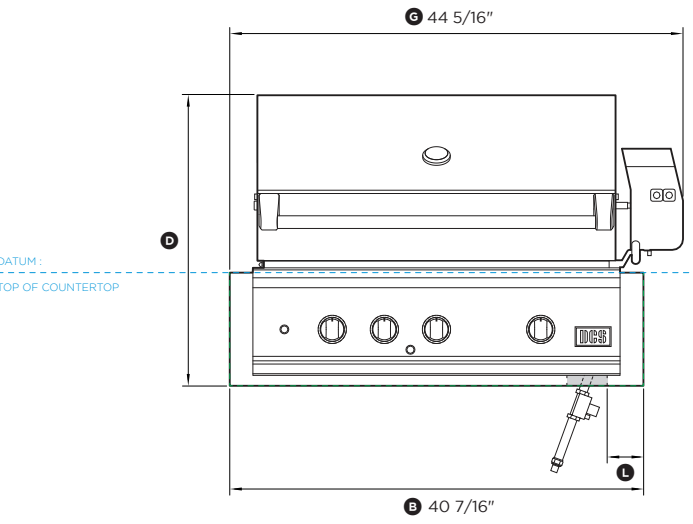
(refer page 2 for metric measurements)



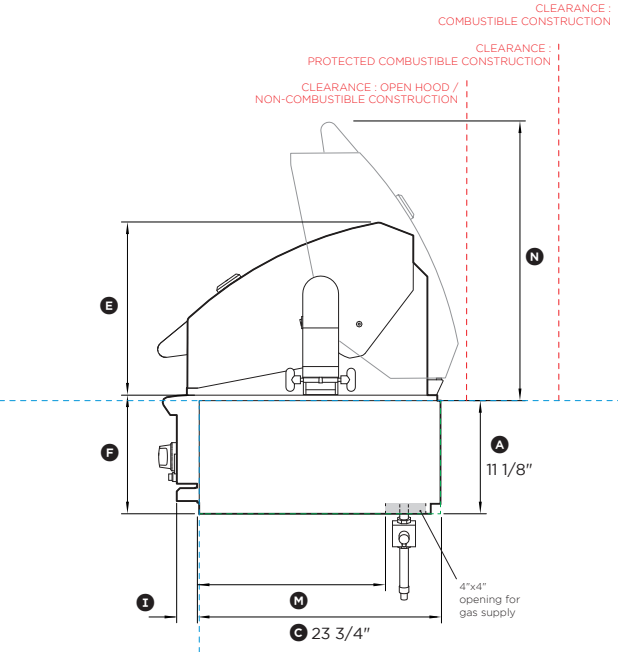
PLAN VIEW



NOT TO SCALE



FRONT VIEW



PROFILE VIEW

Dimensions	in
Ⓐ Height of insulation jacket	11 1/8"
Ⓑ Overall width of insulation jacket	40 7/16"
Ⓒ Depth from front datum to rear of insulation jacket	23 3/4"
Ⓓ Overall height of grill with insulation jacket	28 9/16"
Ⓔ Height from top of hood to top of chassis	16 7/8"
Ⓕ Height from top of chassis to bottom of insulation jacket	11 11/16"
Ⓖ Overall width of grill with insulation jacket	44 5/16"
Ⓗ Width from right side of jacket to right side of motor cover	3 7/8"
Ⓘ Depth from control panel to front datum	2 3/16"
Ⓛ Overall depth of grill with insulation jacket	27 15/16"
Ⓚ Depth from front of product to front datum	4 1/16"
Ⓛ Distance from right of insulation jacket to right side of opening for gas inlet	3 9/16"
Ⓜ Distance from front of insulation jacket to front side of opening for gas inlet	18 1/16"
Ⓝ Height from top of open hood to top of insulation jacket	27 3/16"

Minimum Clearances	in
Overall width of cavity	40 1/2"
Overall depth of cavity	22 3/4"
Overall height of cavity	11 1/8"
Clearance to combustible construction*	18"
Clearance to protected combustible construction*	12"
Clearance to non-combustible construction*	3"

* Minimum clearance measured from grill base, not storage drawer.
NOTE: See installation manual for full installation requirements and definitions.

INDICATES CUTOUT
INDICATES PRODUCT DATUM
INDICATES CLEARANCES

DATE: **09.12.2022** 90002890A

IMPORTANT NOTE: Throughout this guide, dimensions may vary by ±2mm (1/16"). Please read the installation manual for detailed information on installing the product. For full installation instructions & specifications visit www.dcsappliances.com



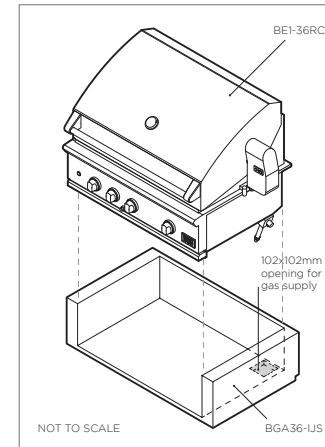
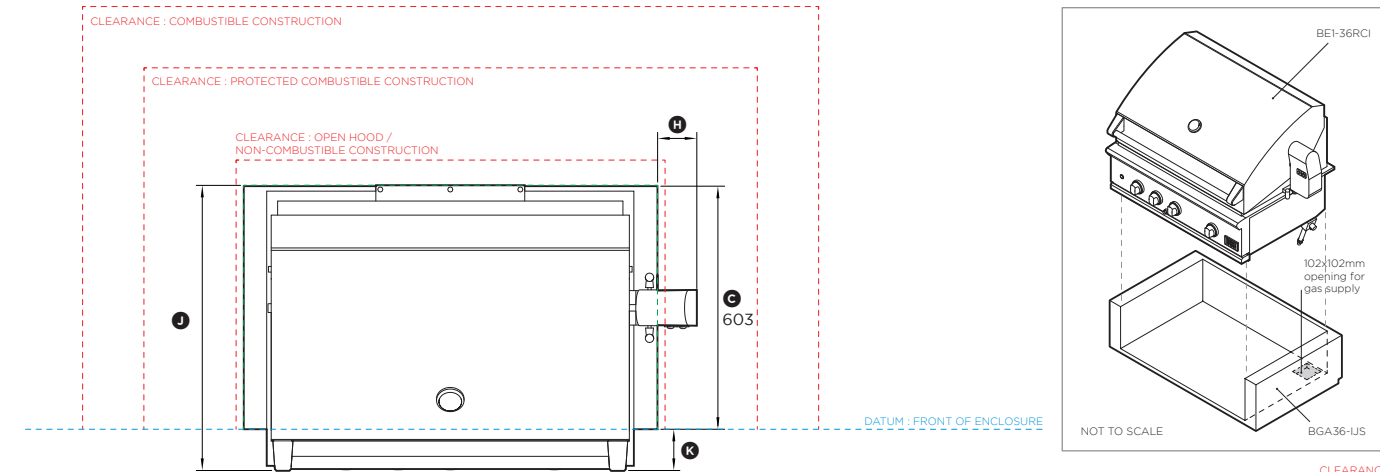
Data sheet

36" Outdoor Grill with Insulation Jacket

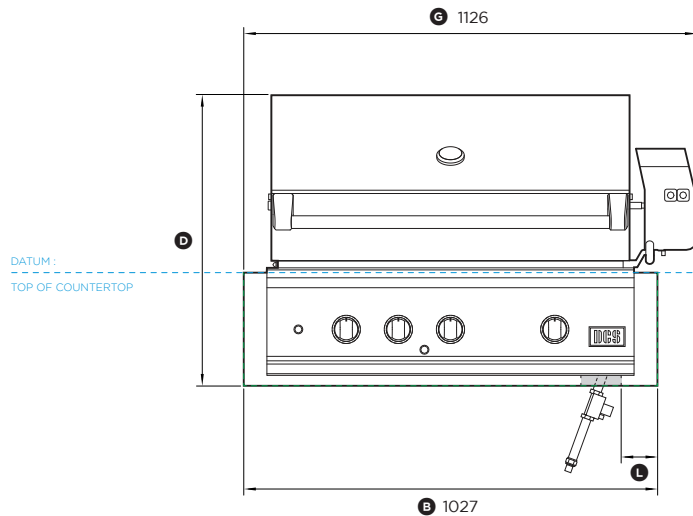
Model no:

BE1-36RCI-N, BE1-36RCI-L with BGA36-IJS

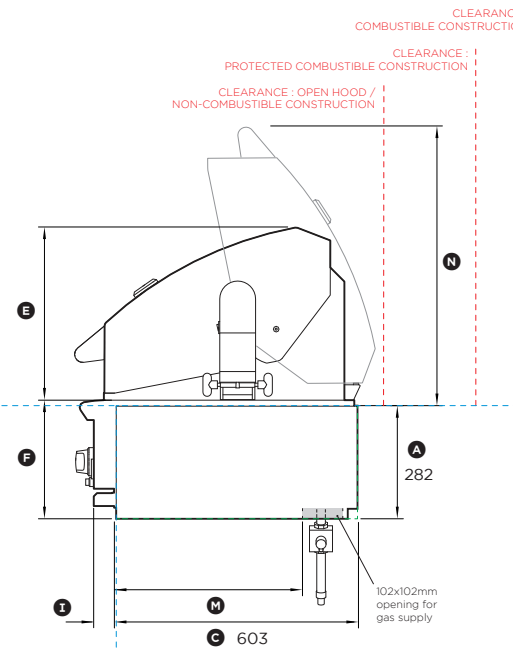
(refer page 1 for imperial measurements)



PLAN VIEW



FRONT VIEW



PROFILE VIEW

Dimensions	mm
Ⓐ Height of insulation jacket	282
Ⓑ Overall width of insulation jacket	1027
Ⓒ Depth from front datum to rear of insulation jacket	603
Ⓓ Overall height of grill with insulation jacket	726
Ⓔ Height from top of hood to top of chassis	429
Ⓕ Height from top of chassis to bottom of insulation jacket	297
Ⓖ Overall width of grill with insulation jacket	1126
Ⓗ Width from right side of jacket to right side of motor cover	99
Ⓘ Depth from control panel to front datum	56
Ⓛ Overall depth of grill with insulation jacket	709
Ⓜ Depth from front of product to front datum	104
Ⓝ Distance from right of insulation jacket to right side of opening for gas inlet	91
Ⓞ Distance from front of insulation jacket to front side of opening for gas inlet	459
Ⓟ Height from top of open hood to top of insulation jacket	691

Minimum Clearances	mm
Overall width of cavity	1029
Overall depth of cavity	578
Overall height of cavity	283
Clearance to combustible construction*	457
Clearance to protected combustible construction*	305
Clearance to non-combustible construction*	76

* Minimum clearance measured from grill base, not storage drawer.

NOTE: See installation manual for full installation requirements and definitions.

INDICATES CUTOUT -----

INDICATES PRODUCT DATUM -----

INDICATES CLEARANCES -----

DATE: **09.12.2022**

90002890A

IMPORTANT NOTE: Throughout this guide, dimensions may vary by $\pm 2\text{mm}$ (1/16"). Please read the installation manual for detailed information on installing the product. For full installation instructions & specifications visit www.dcsappliances.com



DCS