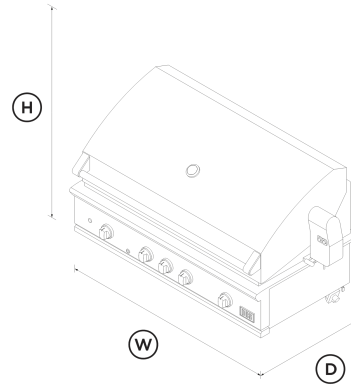


48" Series 9 Grill, Rotisserie and Infrared Sear Burner, Natural Gas



Height	27 1/4 "
Width	47 15/16 "
Depth	26 7/8 "



FEATURES & BENEFITS

The Perfect Sear

A dedicated searing zone with a dynamic infrared burner allows you to experience a new level of versatility, using a range of cooking methods. The improved dual rail design offers increased control and faster heating, so you can achieve the perfect sear every time.

Charcoal Smoker Tray

Enjoy a smoky barbecue flavour with the ease of instant gas flame ignition. Grill directly on the cooking grate or add wood chips for extra smoke. A W-shaped tray with adjustable vents helps the charcoal last longer.

Heavy-Duty Infrared Rotisserie

An infrared rotisserie burner provides controlled searing heat up to 18,000BTU. Perfect for entertaining, the heavy-duty motor can easily turn a 50lb load. The rotisserie rod is conveniently stored under the drip pan handle.

Intuitive Lighting

Brilliant 12-volt lighting safely illuminates the entire grilling surface when you open the lid. Ideal for night-time cooking, the bezel dial lighting glows white when the grill is on, and orange when the gas and grill are in use.

Easy Lifting Hood

The hood can be opened using one hand for better access and visibility when cooking. You can easily accommodate larger food loads with extra space under the hood.

Extra Cooking Area

Effortlessly cook for a crowd with a secondary cooking space. You can fit a grill pan for slow cooking, roasting and making sauces, or to keep food warm after searing.

Grease Management System™

Our Grease Management System™ reduces flare-ups by channelling grease and oils away from the burner flames during grilling.

SPECIFICATIONS

Accessories (sold separately)

6" accessory storage	ASE6-48
Built-in grill cover	ACBI-48E

Taking your grilling experience to the next level, this Series 9 built-in 48" grill provides the ultimate grilling space for premium outdoor kitchens.

- Infrared sear burner for incredibly fast searing up to 24,000 BTU/hr
- Cater for a crowd with the secondary cooking surface
- Build into an outdoor BBQ island, or add a cart for a freestanding grill
- U-burners deliver 25,000 BTU/hr total power per burner with precise heat control from 300°F to 1100°F

DIMENSIONS

Griddle plate	BGC-GP
Insulated jacket	BGA48-IJS (optional)
Insulated jacket (with storage accessory unit)	BGA54-IJS (optional)
On cart grill cover	ACC-48E
Optional cart mount	CAD-48E

Burners

Number of U-burners	3
Sear burner zone	•

Cooking Surface Area

Primary cooking area	855 sq.in.
Secondary cooking area	738 sq.in.
Total cooking area	1593 sq.in.

Features

Double sided grilling grates	flat and angled position
Full charcoal burner/smoker	•
Full surface searing	•
Grease management system™	•
Hood temperature gauge	•
Ignition system	Hot surface
Metal dials	•
Rotisserie	•
Secondary cooking features	2-level racks and tray
Wireless temperature sensor compatible	•

Finish	
Material	304 grade stainless steel
Weather resistant	•

Gas Requirements

1/2" NPT male	•
Gas type	NG
Operational pressure	4" W.C.
Supply pressure	6" to 9" W.C.

Installation Dimensions

Cutout depth (proud)	22 3/4 "
Cutout height (proud)	10 1/8 "
Cutout width (proud)	45 3/4 "
Insulated jacket for proud cut-out	Varies - check manual

Performance

Rotisserie burner power	18000 BTU
Sear burner power	24000 BTU
Total Power	117000 BTU
U-burner power	25000 BTU
Weight rotisserie can handle	50 lbs

Power Requirements

Rotisserie power supply	120V 60Hz
Supply frequency	60 Hz

Supply voltage	120 V
----------------	--------------

SKU	71591
-----	--------------

The product dimensions and specifications in this page apply to the specific product and model. Under our policy of continuous improvement, these dimensions and specifications may change at any time. You should therefore check with Fisher & Paykel's Customer Care Centre to ensure this page correctly describes the model currently available. © DCS by Fisher & Paykel Appliances Limited 2020

Other product downloads available at dcsappliances.com

- [↓ DXF](#)
- [↓ DXF](#)
- [↓ DXF](#)
- [↓ DXF](#)
- [↓ Data Sheet - Storage Unit \(English\)](#)
- [↓ Data Sheet - Insulated Jacket \(English\)](#)
- [↓ DWG](#)
- [↓ DWG](#)
- [↓ DWG](#)
- [↓ DWG](#)
- [↓ Installation Guide \(English\)](#)
- [↓ Installation Guide \(English\)](#)
- [↓ Installation Guide \(Canadian French\)](#)
- [↓ Installation Guide \(Canadian French\)](#)
- [↓ Installation Guide \(Spanish\)](#)
- [↓ Installation Guide \(Spanish\)](#)
- [↓ Planning Guide \(English\)](#)
- [↓ Planning Guide - Professional Grills Series 9 Outdoor Kitchen \(Canadian French\)](#)

- ↓ [Planning Guide - Professional Grills Series 9 Outdoor Kitchen \(Spanish\)](#)
- ↓ [Revit](#)
- ↓ [Revit - Storage Unit](#)
- ↓ [Rhino](#)
- ↓ [Rhino - Storage Unit](#)
- ↓ [Rhino - Storage Unit and Insulated Jacket](#)
- ↓ [Rhino - Insulated Jacket](#)
- ↓ [Right To Repair Declaration \(English, French\)](#)
- ↓ [Service & Warranty \(English, Canadian French\)](#)
- ↓ [SketchUp](#)
- ↓ [SketchUp - Storage Unit](#)
- ↓ [SketchUp - Storage Unit and Insulated Jacket](#)
- ↓ [SketchUp - Storage Unit and Insulated Jacket](#)
- ↓ [User Guide \(English\)](#)
- ↓ [User Guide \(Canadian French\)](#)
- ↓ [User Guide \(Spanish\)](#)
- ↓ [Installation & User Guide \(English\)](#)

A PEACE OF MIND SALE

24 Hours 7 Days a Week Customer Support

T 1.888.936.7872 W www.dcsappliances.com