

Model no:

**BC25 with BC1-AC25**

(refer page 2 for metric measurements)

Product Dimensions	in
Ⓐ Height of bottle holder below countertop	9 27/32"
Ⓑ Overall width of bottle holder	25 1/16"
Ⓒ Depth of bottle holder	6 1/16"
Ⓓ Depth of beverage chiller	21 15/16"
Ⓔ Overall height of bottle holder	10 3/8"
Ⓕ Height above countertop datum	17/32"
Ⓖ Overall depth of bottle holder and beverage chiller without lid	28"
Ⓗ Depth of bottle holder to front datum	5 15/32"
Ⓘ Depth from front datum to rear of bottle holder	19/32"
Ⓛ Depth of bullnose profile on bottle holder	3 3/8"
Ⓚ Depth from drain outlet to front datum	16 5/16"
Ⓛ Depth of rear flange	17/32"
Ⓜ Height of drain below chassis	1"
Ⓝ Width from side to centerline of drain / product	12 17/32"
Ⓞ Internal width of bottle holder	23 1/32"
Ⓟ Height to foremost point of bottle holder	5 3/16"
Ⓠ Height of beverage chiller lid	1 15/16"
Ⓡ Width of beverage chiller lid	26 3/8"
Ⓢ Depth of beverage chiller lid	21 15/16"

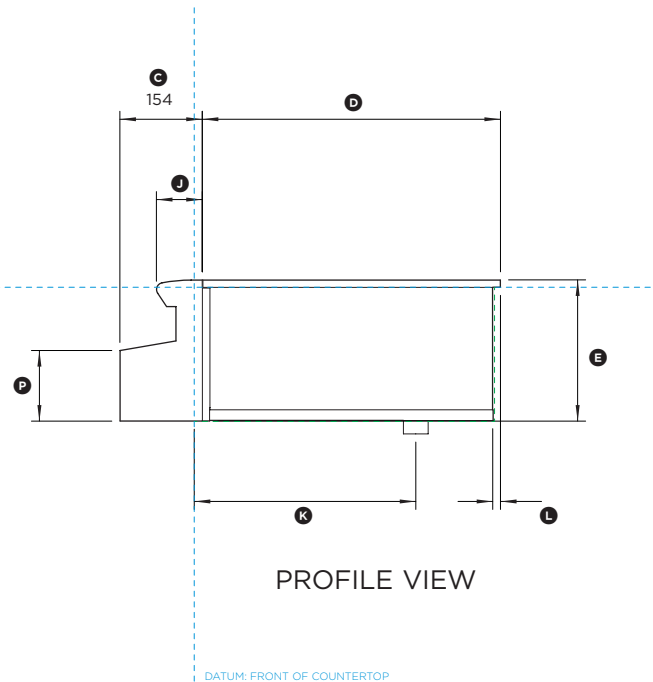
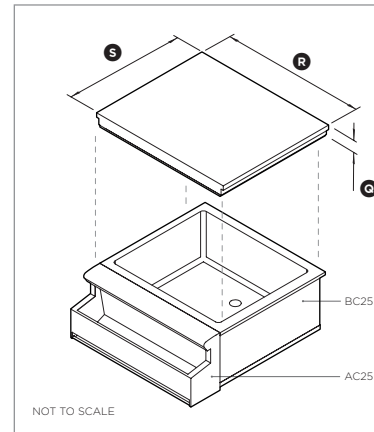
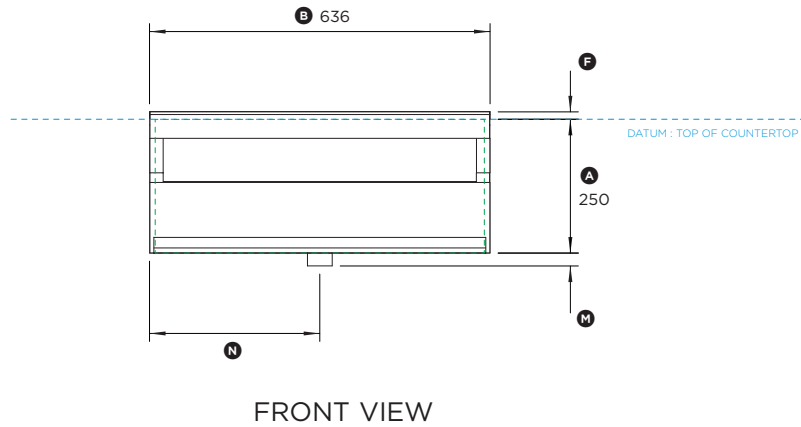
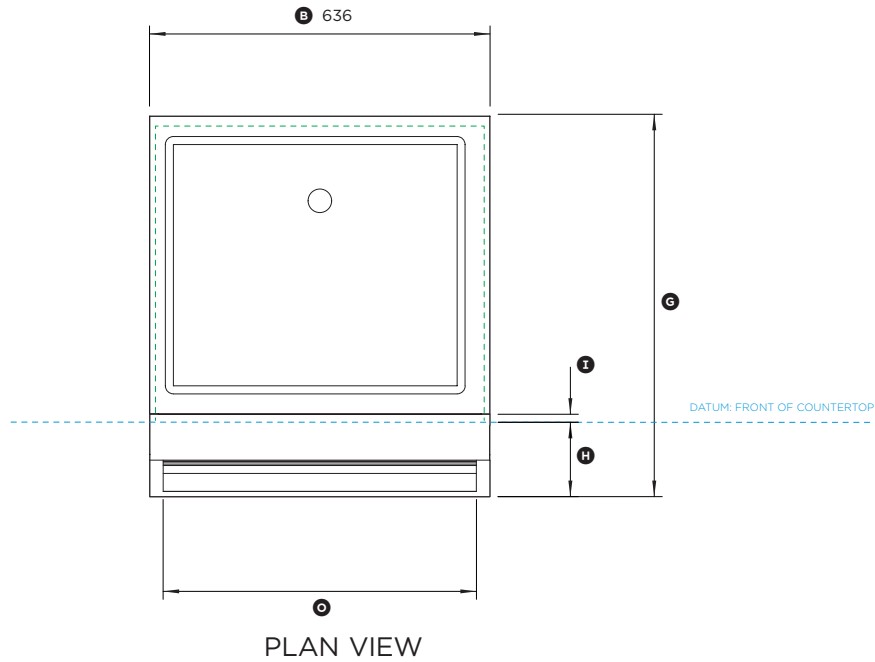
Cavity Dimensions	in
Overall width of cavity	24 3/16"
Overall depth of cavity	21 11/16"
Overall height of cavity	9 7/8"

INDICATES PRODUCT DATUM -----  
INDICATES CUTOUT -----

DATE: 3.11.2020

IMPORTANT NOTE: Throughout this guide, dimensions may vary by ±2mm (1/16"). Please read the installation manual for detailed information on installing the product. [www.dcsappliances.com](http://www.dcsappliances.com)





Model no:

**BC25 with BC1-AC25**

(refer page 1 for imperial measurements)

Product Dimensions	mm
Ⓐ Height of bottle holder below countertop	250
Ⓑ Overall width of bottle holder	636
Ⓒ Depth of bottle holder	154
Ⓓ Depth of beverage chiller	557
Ⓔ Overall height of bottle holder	264
Ⓕ Height above countertop datum	14
Ⓖ Overall depth of bottle holder and beverage chiller without lid	711
Ⓗ Depth of bottle holder to front datum	139
Ⓘ Depth from front datum to rear of bottle holder	15
Ⓛ Depth of bullnose profile on bottle holder	86
Ⓚ Depth from drain outlet to front datum	414
Ⓛ Depth of rear flange	13
Ⓜ Height of drain below chassis	24
Ⓝ Width from side to centerline of drain / product	318
Ⓞ Internal width of bottle holder	585
Ⓟ Height to foremost point of bottle holder	132
Ⓠ Height of beverage chiller lid	49
Ⓡ Width of beverage chiller lid	670
Ⓢ Depth of beverage chiller lid	577

Cavity Dimensions	mm
Overall width of cavity	615
Overall depth of cavity	550
Overall height of cavity	250

INDICATES PRODUCT DATUM -----  
 INDICATES CUTOUT -----

DATE: 3.11.2020

IMPORTANT NOTE: Throughout this guide, dimensions may vary by ±2mm (1/16"). Please read the installation manual for detailed information on installing the product. [www.dcsappliances.com](http://www.dcsappliances.com)

