

DES

PROFESSIONAL GRILL

36 & 48" BH1 models

LE GRIL PROFESSIONNEL

Modèles 36 et 48" BH1

INSTALLATION GUIDE / USER GUIDE
GUIDE D'INSTALLATION / GUIDE D'UTILISATION

US CA

⚠ DANGER

IF YOU SMELL GAS

- Shut off gas to the appliance.
- Extinguish any open flame.
- Open lid.
- If odor continues, keep away from the appliance and immediately call your gas supplier or your fire department.

⚠ WARNING

- Do not store or use gasoline or other flammable liquids or vapors in the vicinity of this or any other appliance.
- An LP cylinder not connected for use must not be stored in the vicinity of this or any other appliance.

Safety and warnings	3
Grill models	6
Product dimensions	7
Installation	10
Locating Grill/Built-in Clearances	10
Built-in Construction Details	14
Gas Hook-up	16
Leak Testing	19
Ignition Battery	19
Burner Adjustment	20
Radiant Assembly	21
Installer Checklist	22
Using the grill	23
Lighting Instructions	23
Grilling	25
Using the U-burners	26
Using the Sear burner (some models only)	27
Grate positions	28
Using the smoker system (some models only)	29
Using the rotisserie	30
Care and maintenance	34
Troubleshooting	38
Warranty and service	39

IMPORTANT!
SAVE THESE INSTRUCTIONS

The models shown in this user guide may not be available in all markets and are subject to change at any time. For current details about model and specification availability in your country, please visit our website listed on the back cover or contact your Fisher & Paykel dealer.

A MESSAGE TO OUR CUSTOMERS

Thank you for selecting this DCS Professional BH1 Series Grill. This installation and user guide contains valuable information on how to properly install, operate and maintain your new appliance for years of safe and enjoyable cooking.

Please fill out and submit your Product Registration by visiting our website at www.dcsappliances.com and selecting "Support" on the home page and then selecting "Product Registration".

For your convenience, product questions can be answered by a DCS Customer Care Representative at www.dcsappliances.com, or email: customer.care@fisherpaykel.com.

Please write the model, code, and serial numbers on this page for reference (can be found on the inside, right side panel behind the drip pan handle. See page 20).

MODEL NUMBER _____ CODE _____ SERIAL NUMBER _____

IMPORTANT!

DO NOT discard any packing material (box, pallet, straps) until the unit has been inspected. Inspect the product to verify that there is no shipping damage. If any damage is detected, call the shipper and initiate a damage claim. DCS by Fisher & Paykel is not responsible for shipping damage.

To reduce the risk of fire, electrical shock, injury to persons, or damage when using the appliance, follow the important safety instructions listed below:

⚠ WARNING!



Hot Surface Hazard

Accessible parts may become hot during use.

Do not touch surface units or areas near units of the grill.

Hood must be opened before lighting the grill.

Never let clothing or other flammable materials come in contact with or get too close to any grate, burner or hot surface until it has cooled. Fabric may ignite and result in fire or personal injury. Keep outdoor cooking gas appliance area clear and free from combustible materials, gasoline and other flammable vapors and liquids.

Never lean over an open grill. When lighting a burner, always pay close attention to what you are doing. Be certain you are pushing the burner knob when you attempt to light the grill.

When using the grill, do not touch the grill burner, grate, or immediate surrounding area as these areas become extremely hot and could cause burns.

Grease is flammable. Never operate the grill without a grease tray. Let hot grease cool before attempting to handle it. Avoid letting grease deposits collect in the drip pan. Clean the grill with caution. Avoid steam burns; do not use a wet sponge or cloth to clean the grill while it is hot. Some cleaners produce noxious fumes or can ignite if applied to a hot surface.

Use only dry potholders; moist or damp potholders on hot surfaces may cause burns from steam. Do not use a towel or bulky cloth in place of potholders. Do not let potholders touch hot portions of the grill or burner grate.

To avoid burns when cooking, use long handled BBQ tools.

Failure to follow this advice may result in burns and scalds or serious injury.

⚠ WARNING!



Explosion Hazard

If you smell gas, do not use the appliance.

Do not use water on grease fires, a violent steam explosion may result. Turn all burners off, then smother fire or flame or use dry chemical or foam-type extinguisher.

Do not heat unopened food containers such as cans - Build up of pressure may cause container to burst and result in injury.

Failure to follow this advice may result in injury or death.

⚠ WARNING!



Fire Hazard

Do not operate the grill under unprotected combustible construction. Use only in well ventilated areas. Do not use in buildings, garages, sheds, breezeways, covered structures or other such enclosed areas. This unit is for outdoor use only.

Never leave the grill unattended when in use.

Never store a spare LP cylinder under or near this unit.

Never fill the cylinder beyond 80 percent full.

Failure to follow this advice may result in death or serious injury.

⚠ WARNING!



Electrical Shock Hazard

This appliance is equipped with a three-prong or four-prong grounding plug for your protection against shock hazard and should be plugged directly into a properly grounded power outlet. Do not under any circumstances cut or remove the grounding prong from this plug.

Failure to follow this advice may result in death or electrical shock.

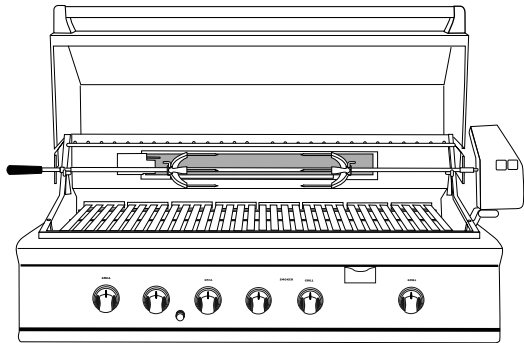
IMPORTANT SAFETY INSTRUCTIONS!

- After a period of storage or non-use (such as over the winter), the gas grill should be checked for gas leaks, deterioration, proper assembly, and burner obstructions before using.
- Always use a covered hand when opening the grill hood and only do so slowly to allow heat and steam to escape.
- After lighting burners, make sure burners are operating normally (see page 21).
- Do not use aluminium foil to line drip pans or grill grates or radiants. This can severely upset combustion air flow or trap excessive heat in the control area. The result of this can be melted knobs or damaged ignition components.
- Do not operate with a damaged cord or plug, after the appliance malfunctions or after the appliance has been damaged in any manner. Contact the manufacturer for repair.
- Do not let the rotisserie cord hang over the edge of a table or touch hot surfaces.
- Do not use an outdoor cooking appliance for purposes other than intended.
- Do not use lighter fluid in the charcoal burner insert or on the gas burners.
- Be sure all grill controls are turned off and the grill is cool before using any type of aerosol cleaner on or around the grill. The chemical that produces the spraying action could, in the presence of heat, ignite or cause metal parts to corrode.
- Never grill without the drip pan and grease tray in place and hooked into the front of the grease tray (see Fig. 34 on page 40 for diagram). Without it hot grease could leak downward and produce a fire or explosion hazard.
- The sear burner is designed specifically for searing food. Do not use the griddle plate or charcoal insert over the sear burner or cover it with any utensil type.
- If you are using griddle plates, do not place them side by side on the grill.
- Never use the grill in a windy area.
- Do not try lighting this appliance without reading the “LIGHTING INSTRUCTIONS” section of this manual.
- Do not locate, store or operate the grill on an inclined plane.
- Keep any electrical supply cord and the fuel supply hose or the rotisserie motor cord away from the heated areas of the grill and water (pools, fountains, puddles).
- Never use a dented or rusty LP tank. Keep the ventilation openings of the cylinder enclosure free and clear from debris.
- Have an ABC rated Fire Extinguisher accessible - never attempt to extinguish a grease fire with water or other liquids.
- Do not move the appliance during its use.
- Do not operate in enclosed areas. This could result in carbon monoxide build-up which would result in injury or death.
- When using a grill, be sure that all parts of the unit are firmly in place and that the grill is stable (can't be tipped over).
- To put out flare-ups, adjust the controls to lower the temperature or move the food away from flare up.
- Do not ignite the grill burners while the rotisserie burner is lit.
- Never attach or disconnect an LP cylinder, or move or alter gas fittings when the grill is in operation or is hot.
- CALIFORNIA PROPOSITION 65-WARNING: the burning of gas cooking fuel generates some by-products which are on the list of substances which are known by the State of California to cause cancer or reproductive harm. California law requires businesses to warn customers of potential exposure to such substances. To minimize exposure to these substances, always operate this unit according to the manual, ensuring you provide good ventilation when cooking with gas.
- This outdoor cooking gas appliance is not intended to be installed in or on recreational vehicles, trailers and/or boats.
- This product must be installed by a licensed plumber or gas fitter when installed within the Commonwealth of Massachusetts.

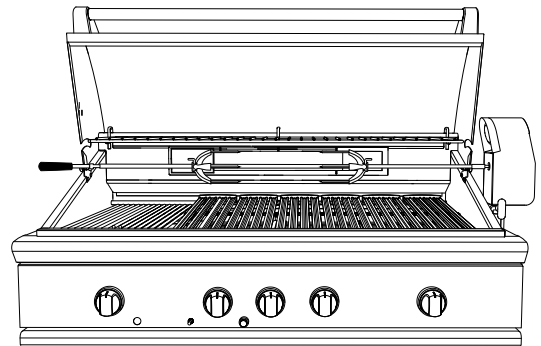
IMPORTANT SAFETY INSTRUCTIONS!

- Do not obstruct the flow of combustion and ventilation to the grill.
- Storage of an outdoor cooking gas appliance indoors is permissible only if the cylinder(s) is (are) disconnected and removed from the outdoor cooking gas appliance.
- Cylinders must be stored outdoors out of the reach of children and must not be stored in a building, garage, or any other enclosed area.
- When not in use, ensure the gas supply is turned off at the supply cylinder.
- Only use LP cylinder provided with a listed Overfilling Prevention Device (OPD) and with a cylinder connection device compatible with the connection for outdoor cooking gas appliances. To reduce this danger, you should take the following safety precautions:
 - Never fill the cylinder beyond 80 percent full.
 - If you own or use a spare tank, or have a disconnected tank, you should NEVER store it near or under the grill unit or heat box, or near any other ignition or heat source. A metallic sticker with this warning is provided with the grill. Install this sticker close to your barbeque grill.
 - Do not store a full tank in direct sunlight.
- Push in and turn the selected control knob to HI/SEAR position. Release the knob when the burner lights. If burner does not light in four to five seconds, turn knob "OFF" and wait five minutes before trying again so any accumulated gas may dissipate.
- Before each use, inspect the gas supply piping or hose prior to turning the gas "ON". If there is evidence of cuts, wear, or abrasion, it must be replaced prior to use.
- Follow the installation instructions within this manual. Have your grill installed by a qualified installer. Have the installer show you where the gas supply shut-off valve is located so that you know where and how to shut off the gas to the grill. If the connections are not perfectly sealed, you can have a small leak and therefore a faint gas smell. Some leaks can only be found with the burner control in the "ON" position - this must be done by a qualified technician.
- Children should not be left alone or unattended in an area where the grill is being used. Never allow them to sit, stand or play on or around the grill at any time. When in use, portions of the grill get hot enough to cause severe burns.
- Do not store items of interest to children around or below the grill.
- Clean and perform general maintenance on the grill twice a year. Watch for corrosion, cracks, or insect activity. Check the regulator, hoses, burner ports, air shutter, and venturi/valve section carefully. Always turn off gas at the source (tank or supply line) prior to inspecting parts.
- Never use the grill or sear burner while the rotisserie burner is lit.
- In sunny locations, the rotisserie and sear burners may be difficult to see if they are lit.
- When connecting, first connect plug to the appliance then plug appliance into the outlet.

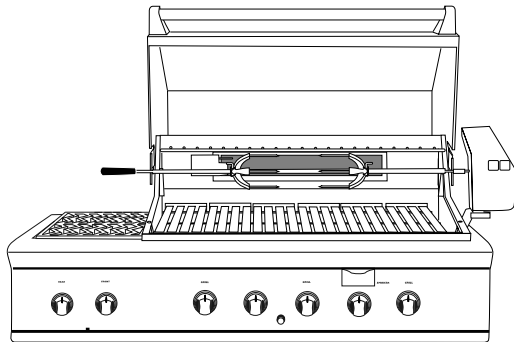
GRILL MODELS



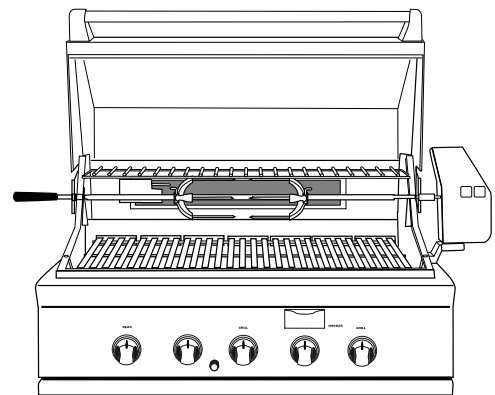
BH1-48R



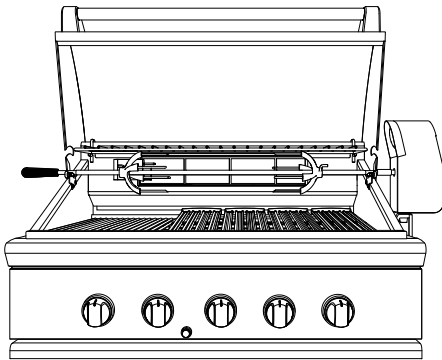
BH1-48RI



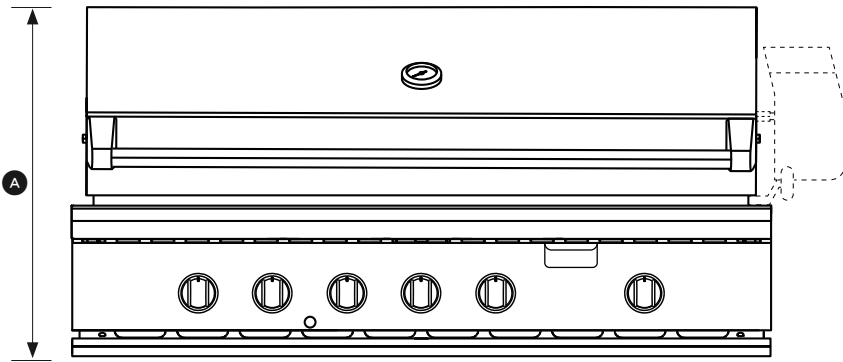
BH1-48RS



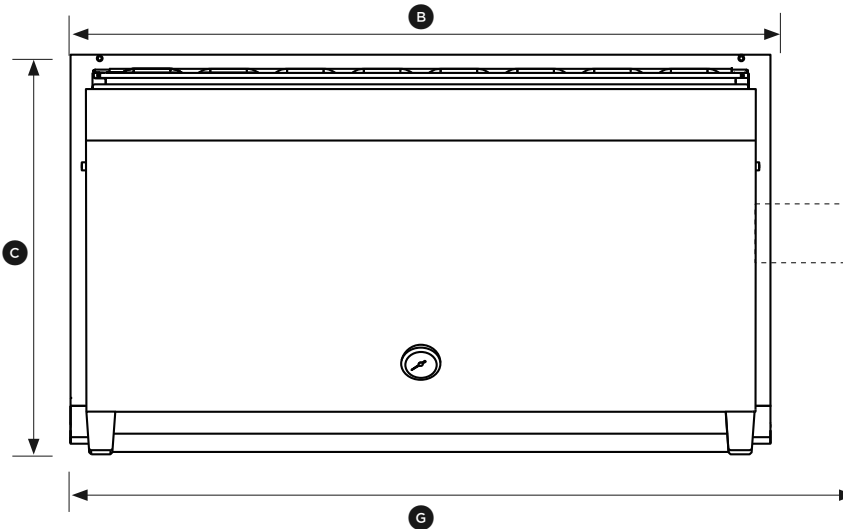
BH1-36R



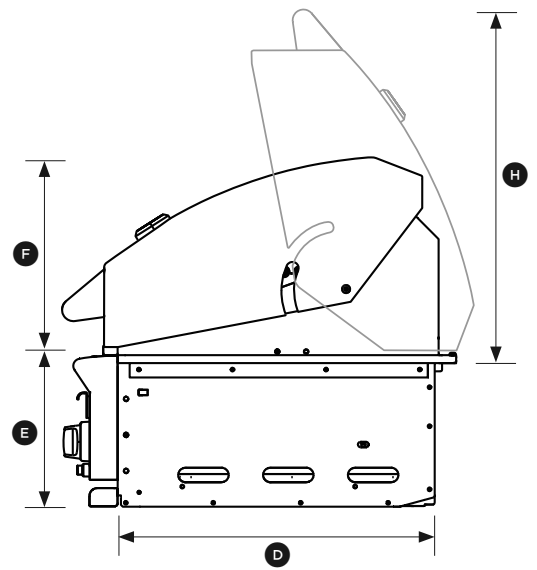
BH1-36RI



PLAN VIEW



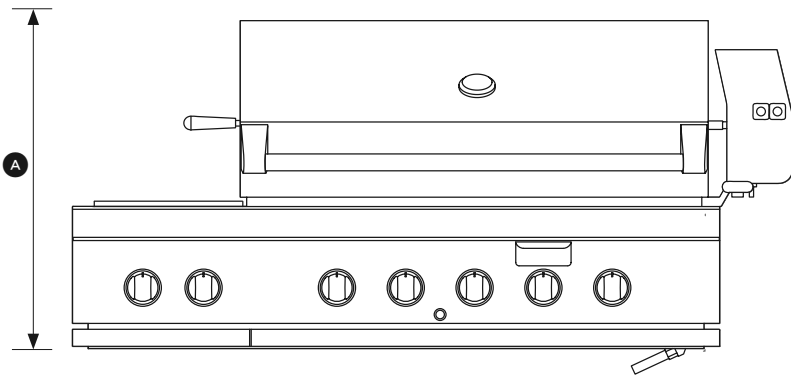
FRONT VIEW



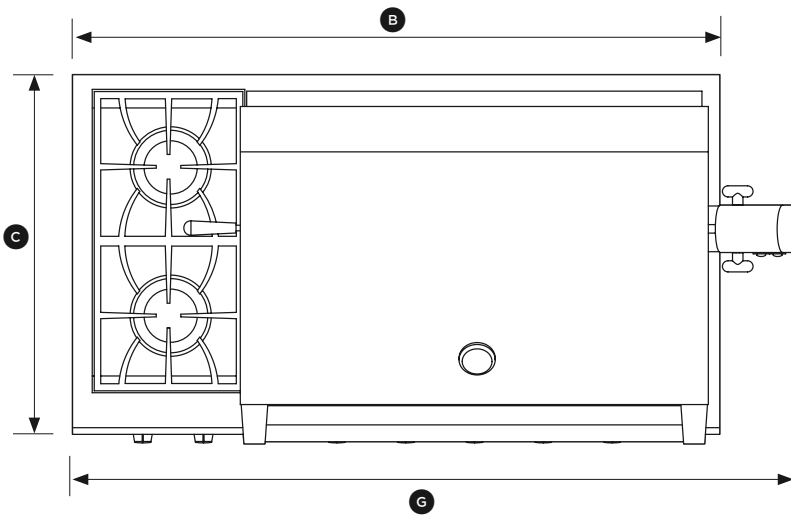
PROFILE VIEW

PRODUCT DIMENSIONS		BH1-48R AND BH1-48RI MODELS
		INCHES (MM)
(A)	Overall height of grill	24 ¼ (616)
(B)	Overall width of grill	47 ⅞ (1216)
(C)	Overall depth of grill (excluding handle and dials)	26 ⅝ 676
(D)	Depth of chassis	22 ⅝ (567)
(E)	Height of chassis	10 (254)
(F)	Height of hood	13 ¾ (349)
(G)	Overall width of grill with rotisserie motor mounted	53 ¼ (1352)
(H)	Height from top of hood to top of countertop	24 ⅝ (625)

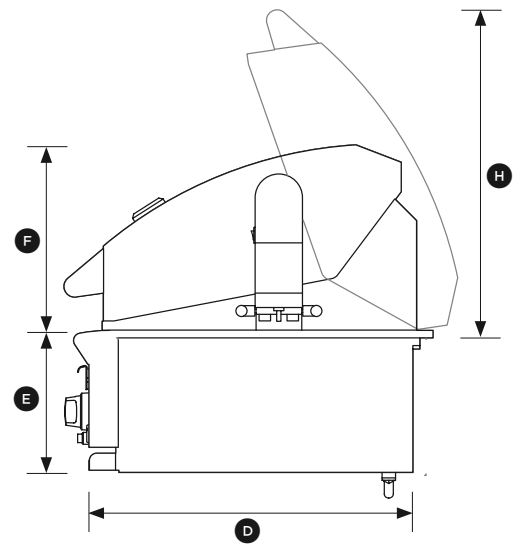
BH1-48RG Model Illustrated



PLAN VIEW



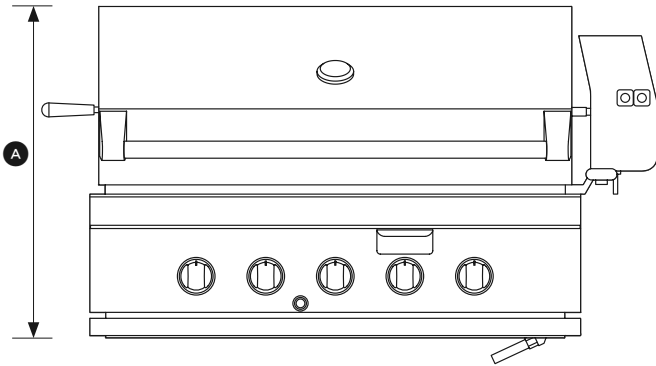
FRONT VIEW



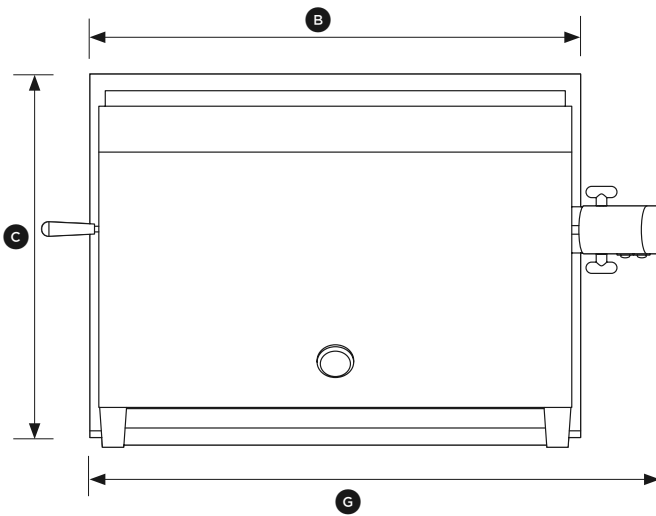
PROFILE VIEW

PRODUCT DIMENSIONS		BH1-48S MODELS
		INCHES (MM)
(A)	Overall height of grill	24 ¼ (616)
(B)	Overall width of grill	47 15/16 (1217)
(C)	Overall depth of grill (excluding handle and dials)	26 5/8 (676)
(D)	Depth of chassis	25 ½ (648)
(E)	Height of chassis	10 ½ (267)
(F)	Height of hood	13 ¾ (349)
(G)	Overall width of grill with rotisserie motor mounted	53 3/8 (1356)
(H)	Height from top of hood to top of countertop	24 5/8 (625)

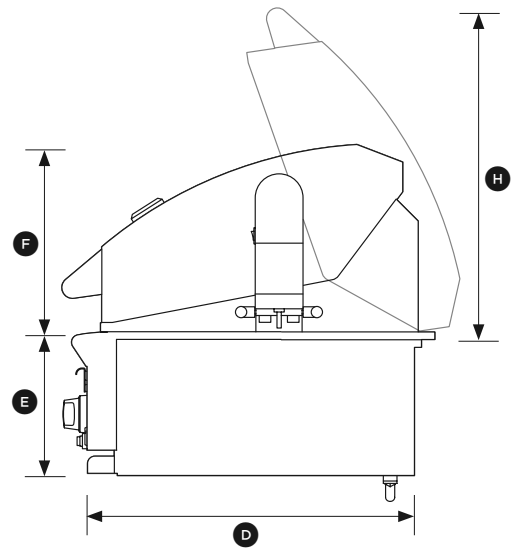
BH1-48RS Model Illustrated



PLAN VIEW



FRONT VIEW



PROFILE VIEW

PRODUCT DIMENSIONS		BH1-36R AND BH1-36RI MODELS
		INCHES (MM)
(A)	Overall height of grill	24 ¼ (616)
(B)	Overall width of grill	35 15/16 (913)
(C)	Overall depth of grill (excluding handle and dials)	26 5/8 (676)
(D)	Depth of chassis	25 ½ (648)
(E)	Height of chassis	10 ½ (267)
(F)	Height of hood	13 ¾ (349)
(G)	Overall width of grill with rotisserie motor mounted	41 9/16 (1056)
(H)	Height from top of hood to top of countertop	24 5/8 (625)

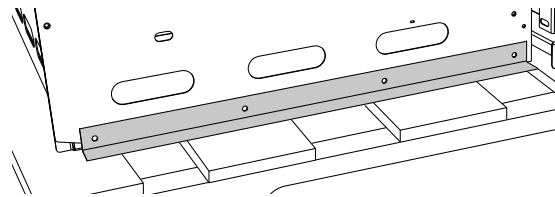
BH1-36R Model Illustrated

INSTALLATION

Locating Grill/Built-in Clearances

IMPORTANT!

Before installation, remove shipping brackets from the grill. Loosen the four screws. Slide the shipping bracket off and re-tighten the screws.



Location

When determining a suitable location, take into account concerns such as exposure to wind, proximity to traffic paths and keeping any gas or electrical supply lines as short as possible and away from heat sources. Locate the grill only in a well ventilated area. Do not build the grill under overhead unprotected combustible construction. Never locate the grill in a building, garage, breezeway, shed or other such enclosed areas. During heavy use, the grill will produce a lot of heat and smoke. Ensure that the grill is used in a well ventilated area.

If locating the grill in a windy area, try to locate the grill so the prevailing wind will blow air at the front of the grill as shown in Fig. 01b. This will assist the grill in venting hot air through the back of the grill. In addition, this will help keep any smoke from blowing at someone who is cooking on the grill. If you have to locate the grill in a windy area where the prevailing wind is at the rear of the grill (Fig. 01a), a windscreen must be installed. The windscreen should be set-up so that it blocks wind from entering the exhaust vent in the rear of the unit as shown in Fig. 01c. Location of the windscreen relative to rear of the grill must adhere to the clearances specified for combustible or non-combustible construction as defined in these instructions. Refer to following pages.

As a high-performance gas appliance, your grill requires significant amounts of air to support the combustion process. Your grill is designed to take air in through the valve panel area, and send the exhaust products out through the exhaust gap at the rear of the hood. Using your grill in windy conditions can disrupt the proper flow of air through your grill, leading to reduced performance, or in certain severe cases, causing heat buildup in the valve panel area. This can lead to problems such as having the knobs melt, or burn hazards when the valve panel surfaces become too hot to touch.

Please note that damage to your grill resulting from use in windy conditions, such as melted knobs or igniter wires, or valve panel discoloration from heat build-up, are excluded from warranty coverage.

Locating Built-in Clearances

IMPORTANT!

Gas fittings, regulator, and installer supplied shut-off valves must be easily accessible.

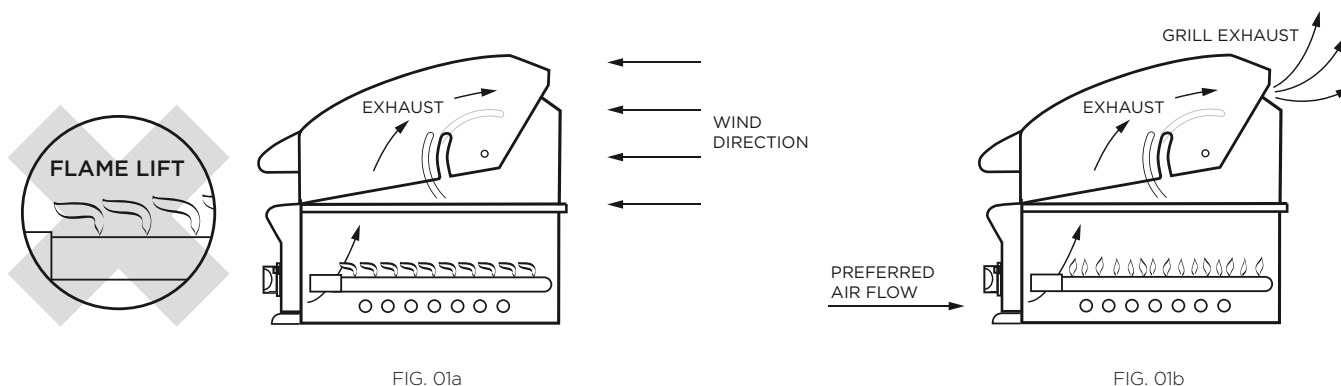


FIG. 01a

FIG. 01b

Wind hitting the grill while in use, (especially wind blowing into or across the hood gap) can cause poor performance and in some cases can cause the control panel to get dangerously hot.

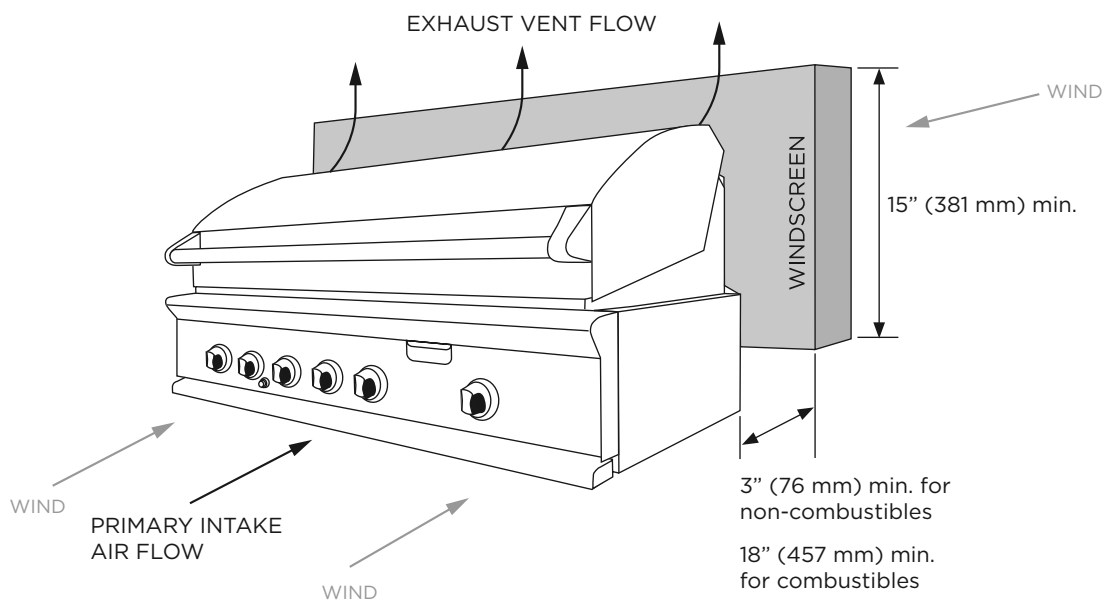


FIG. 01c

If wind is an issue, a windscreen should be added. The windscreen should be higher than the top of the opening in the back of the grill, with a minimum clearance of 3" (76mm) for non-combustibles, or 18" (457mm) for combustibles, from the back of the grill.

INSTALLATION

Locating Built-in Clearances

Clearances to non-combustible construction*

A minimum of 3" clearance from the back of the grill to non-combustible construction is required for the purpose of allowing the lid to open fully. It is desirable to allow at least 6" rear and side clearance to non-combustible construction above the cooking surface for counter space. If you'll be using the rotisserie option, the space is essential for motor and skewer clearance. The grill can be placed directly adjacent to non-combustible construction below the cooking surface (Fig. 02).

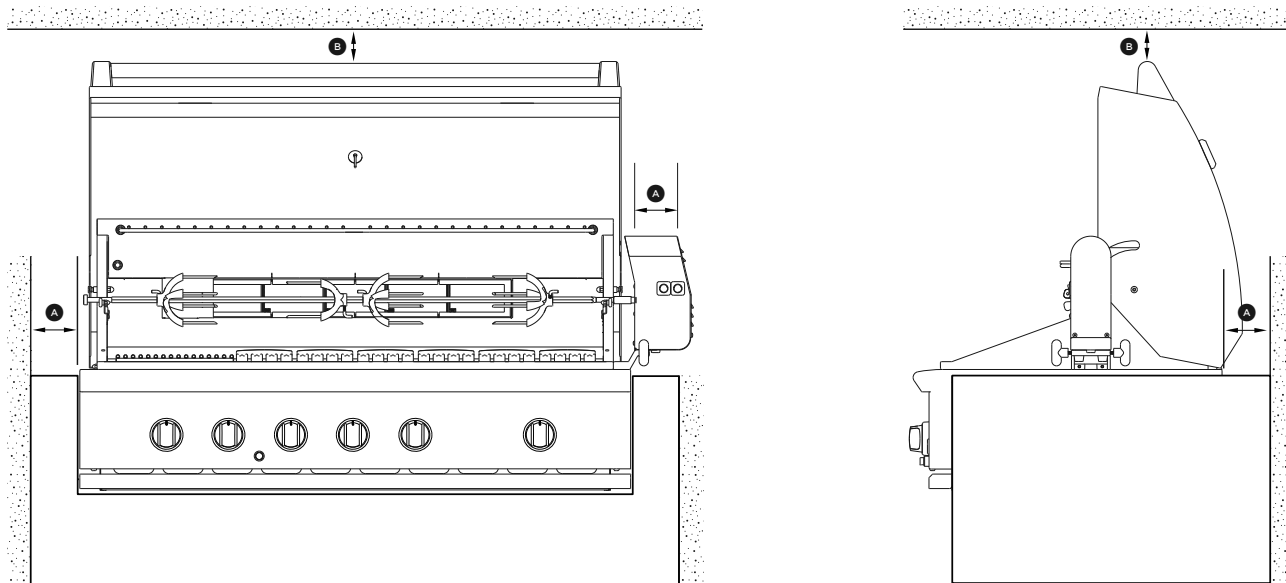



FIG. 02

PRODUCT DIMENSIONS	INCHES (MM)	
Ⓐ Minimum distance from non-combustible surface to grill	3" (76)	 = NON-COMBUSTIBLE SURFACE
Ⓑ Minimum clearance from non-combustible surface from top of grill lid while open	24" (610)	

***DEFINITION OF NON-COMBUSTIBLE MATERIAL** - Material which is not capable of being ignited and burned, such as materials consisting entirely of, or a combination of, steel, iron, brick tile, concrete, slate, and plaster.

IMPORTANT!

- **Failure to maintain required clearances creates a fire hazard that may result in property damage or serious personal injury.**
- **The grill is designed to function in an open area. Recommended minimum clearances should be maintained to all surfaces (combustible and non-combustible) for optimum performance. Non-combustible material within the minimum clearance area could result in discoloration or deterioration.**
- **If a non-combustible material such as stucco is covering a combustible material such as wood, the minimum clearance distance needs to be considered for wood. The presence of a non-combustible material inside the clearance zone does not eliminate the minimum clearance zone to combustible material.**

General

The grill is designed for easy placement into built-in masonry enclosures. For non-combustible applications the grill drops into the opening shown in Fig. 04 and hangs from its side flanges. A deck is not required to support it from the bottom. When using the insulated jacket in a combustible enclosure application, see the Fig. 05. The insulation jacket assembly must be supported from the bottom by a ledge on each side and back or a solid deck.

A spirit level should be used to ensure that the unit is level both front-to-back and side-to-side. If it is not level, burner combustion may be erratic or the unit may not function efficiently for grease flow. If the floor is uneven, re-leveling may be required whenever a freestanding unit is moved.

Locating Built-in Clearances

Clearances to combustible construction**

Minimum of 18" (457 mm) from the sides and rear of grill must be maintained to adjacent vertical combustible construction, above the counter top level. You should take in account that there is a large volume of heat, and smoke will exhaust from the rear of the grill. This may discolor or damage unprotected areas. Do not install under unprotected combustible construction without using a fire safe ventilation system.

A 18" (457mm) minimum clearance must be maintained under the counter top to combustible construction. The clearance can be modified by a use of an insulated jacket.

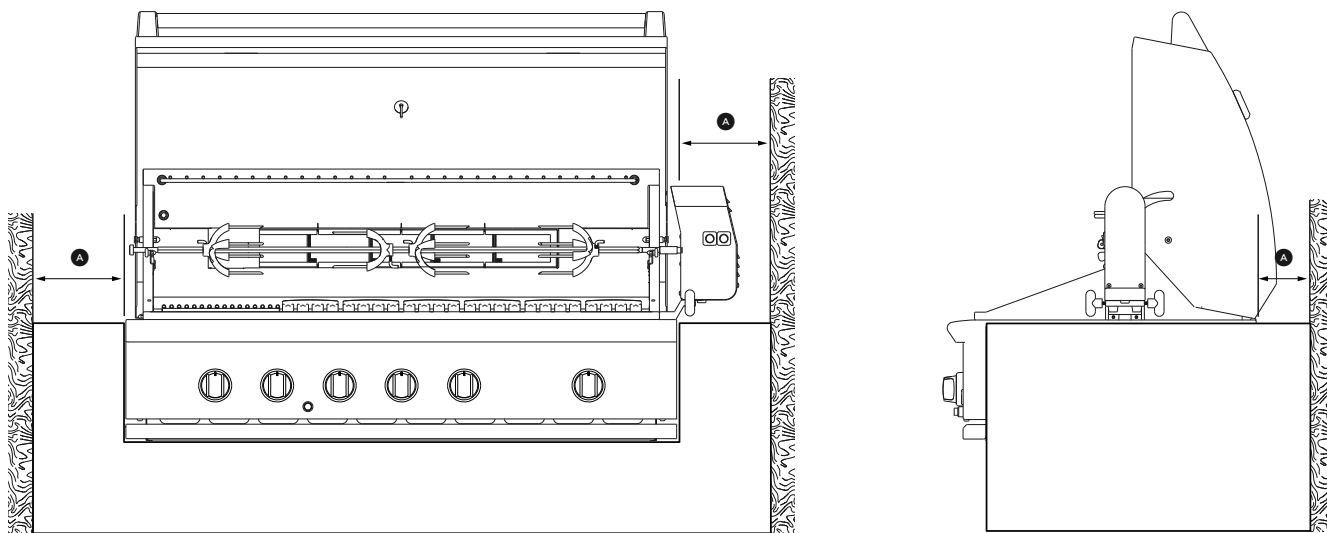


FIG. 03

PRODUCT DIMENSIONS	INCHES (MM)	= COMBUSTIBLE SURFACE = NON-COMBUSTIBLE SURFACE
Ⓐ Minimum distance from combustible surface to grill	18" (457)	

****DEFINITION OF COMBUSTIBLE MATERIAL** - Any materials of a building structure or decorative structure made of wood, compressed paper, plant fibers, vinyl/plastic or other materials that are capable of transferring heat or being ignited and burned. Such material shall be considered combustible even though flame-proofed, fire-retardant treated or surface-painted, or plastered.

IMPORTANT!

It is recommended that a minimum of two 12 1/4x12 1/4" (311 x 311mm) vents be provided in order to safely dissipate unburned gas vapors in the event of a gas supply leak. These are to be located on each side of the enclosure and within 5" (127mm) of the top.

Insulated jacket

If the grill is to be placed into a combustible enclosure, an approved insulated jacket is necessary. Insulated jackets are available from your dealer. Use only the DCS insulated jacket which has specifically been designed and tested for this purpose. Review the detail drawing shown (Fig. 05) and take into account the provisions shown for gas line hook-up clearance in the right rear corner. It is required that ventilation holes are provided in the enclosure to eliminate the potential build-up of gas in the event of a gas leak. The supporting ledges or deck must be level and flat and strong enough to support the grill and insulated jacket. The counter should also be level.

IMPORTANT!

Installing this product into a combustible enclosure without an insulated jacket could result in fire, property damage and personal injury.

INSTALLATION

Built-in Construction Details

Standard layout for non-combustible cavity

IMPORTANT!

If installing the grill into a non-combustible enclosure, all combustible construction must still be outside the 18" (457mm) clearance zone. If your island is made of stucco over the top of wooden studs, the wood can not be inside the 18 inch clearance zone to combustible, even though the stucco is what is touching the grill area.

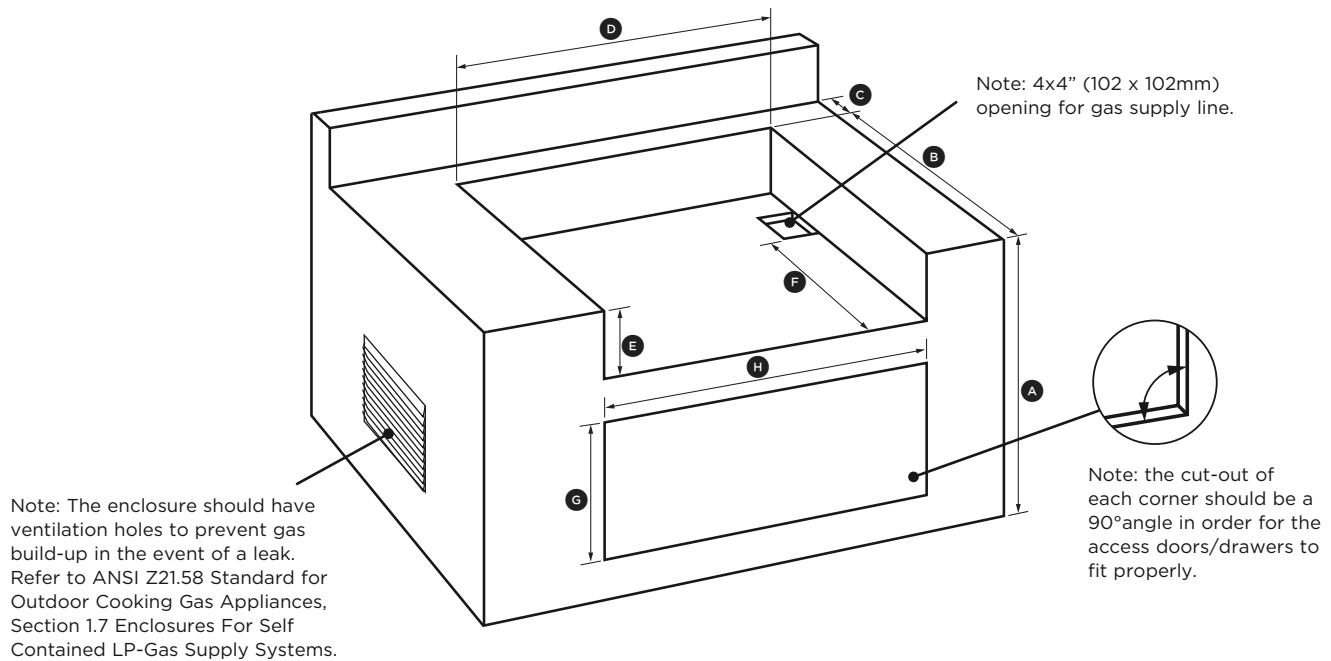


FIG. 04

CAVITY DIMENSIONS	BH1-48R	BH1-36R
	Inches (mm)	Inches (mm)
Ⓐ Maximum height of enclosure shell	35 ½ (902)	35 ½ (902)
Ⓑ Depth of enclosure shell	22 ¾ (578)	22 ¾ (578)
Ⓒ Minimum depth for hood swing	3 ¾ (95)	3 ¾ (95)
Ⓓ Width of enclosure cavity	45 ¾ (1162)	34 ½ (876)
Ⓔ Height of enclosure cavity	10 ⅛ (257)	10 ⅛ (257)
Ⓕ Depth to gas supply opening	18 ½ (470)	18 ½ (470)
Ⓖ Height of opening for access doors/drawers	20 (508)	20 (508)
Ⓗ Width of opening for access doors/drawers	46 (1168)	34 (864)

Built-in Construction Details

Standard layout for cavity including insulated jacket

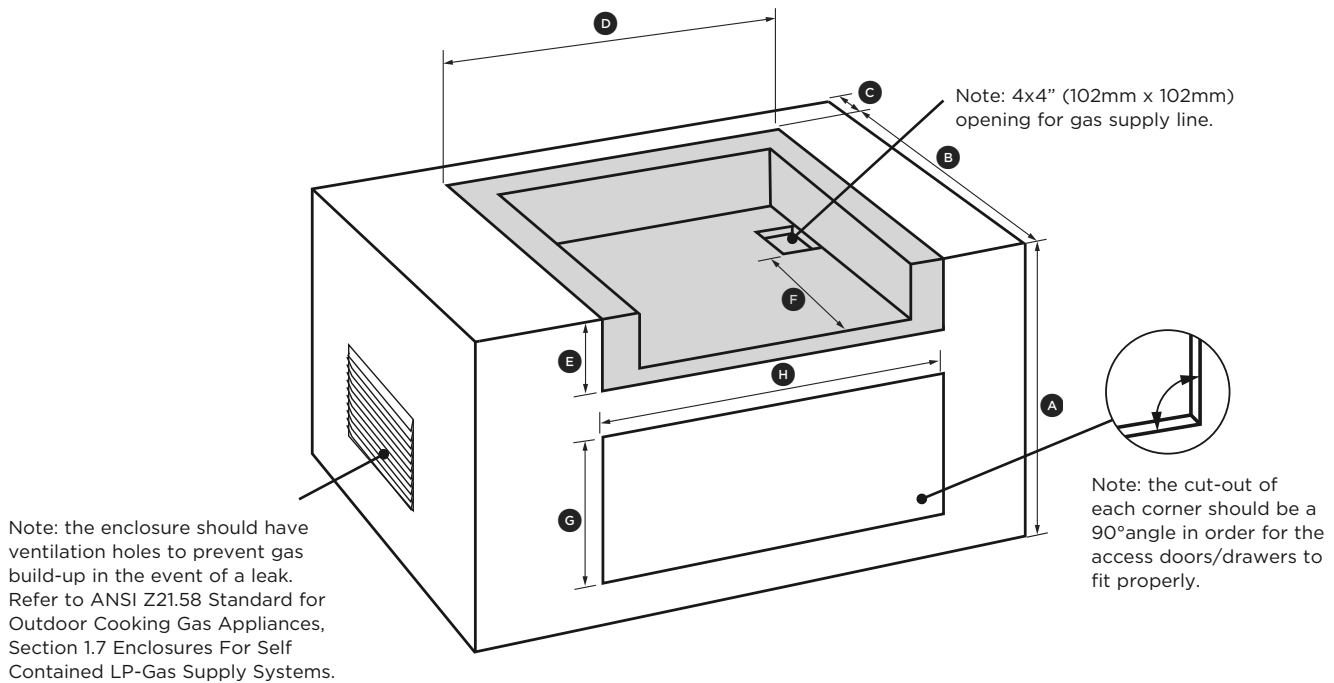


FIG. 05

CAVITY DIMENSIONS	BH1-48R	BH1-36R
	Inches (mm)	Inches (mm)
Ⓐ Maximum height of enclosure shell	35 ½ (902)	35 ½ (902)
Ⓑ Depth of enclosure shell	23 ¾ (603)	23 ¾ (603)
Ⓒ Minimum depth for hood swing	18 ¾ (476)	18 ¾ (476)
Ⓓ Width of enclosure cavity	51 ⅝ (1318)	40 ½ (1029)
Ⓔ Height of enclosure cavity	11 ⅞ (283)	11 ⅞ (283)
Ⓕ Depth to gas supply opening	18 ½ (470)	18 ½ (470)
Ⓖ Height of opening for access doors/drawers	20 (508)	20 (508)
Ⓗ Width of opening for access doors/drawers	46 (1168)	34 (864)

ACCESS DOORS MODEL NUMBER	ACCESS DRAWERS MODEL NUMBER	CAVITY WIDTH	CAVITY HEIGHT
		Inches (mm)	Inches (mm)
ADN1-20x48	ADR2-48	46 (1168)	20 (508)
ADN1-20x36	ADR2-36	34 (864)	20 (508)
ADN1-20x30	ADR2-30	28 (711)	20 (508)
ADN1-20x24	ADR2-24	22 (559)	20 (508)

To order access drawers or doors, please visit www.dcsappliances.com for further details.

INSTALLATION

Gas Hook-up

Gas requirements

Verify the type of gas supply to be used, either Natural or combustible, and make sure the marking on the appliance rating plate agrees with that of the supply. The rating plate is located on the underside of the drip tray. Never connect an unregulated gas line to the appliance. You must use a gas regulator even if the supply is controlled.

An installer-supplied gas shut-off valve must be installed in an easily accessible location. All installer supplied parts must conform to local codes, or in the absence of local codes, with the National Electrical Code, ANSI/NFPA 70 or the Canadian Electrical Code, CSA C22.1, and the National Fuel Gas Code, ANSI Z223.1 or CSA-B149.1 Natural Gas Installation Code or CSA-B149.2 Propane Installation Code. In Massachusetts such shut-off valves should be approved by the Board of State Examiners or Plumbers & Gas Fitters.

All pipe sealants must be an approved type and resistant to the actions of combustible gases. Never use pipe sealant on flare fittings. All gas connections should be made by a qualified technician and in accordance with local codes and ordinances. In the absence of local codes, the installation must comply with the National Fuel Gas Code ANSI Z223.1. Gas conversion kits are available from Customer care. When ordering gas conversion kits, have the model number, and the type of gas (natural or combustible) from your grill.

Total gas consumption of the grill with all burners on HI

The appliance and its individual shut-off valve must be disconnected from the gas supply piping system during any pressure testing of that system at test pressures in excess of 1/2 PSIG (3.5 kPa). The appliance must be isolated from the gas supply piping system by closing its individual manual shut-off valve during any pressure testing of the gas supply piping system at test pressures equal to or less than 1/2 PSIG (3.5 kPa). The installation of this appliance must conform with local codes or, in the absence of local codes, with the National Fuel Gas Code, ANSI Z223.1/NFPA 54. Installation in Canada must be in accordance with Natural Gas and Propane Installation Code, CSA B149.1, and/or Propane Storage and Handling Code, B149.2 and local codes.

BURNER	INPUT RATES
BH1-36R/RI	88000 BTU/hr
Grill	25000 BTU/hr
Rotisserie	14000 BTU/hr
Sear	24000 BTU/hr
BH1-48R/RI	117000 BTU/hr
Grill	25000 BTU/hr
Rotisserie	18000 BTU/hr
Sear	24000 BTU/hr

All piping and hoses to run away from the product and never against the product surfaces.

Natural gas built-in hook-up

(This should be performed by a technician only.)

Connection: 1/2" NPT female. **Operating pressure:** 4.0" W.C.

Supply pressure: 5" to 14" W.C. If in excess of 14" W.C. a step down regulator is required. Check with your local gas utility company or local codes for instructions on installing gas supply lines. Be sure to check on type and size of run, and how deep to bury the line. If the gas line is too small, the grill will not function properly. Any joint sealant used must be an approved type and be resistive to the actions of combustible gases.

To hook-up the fittings supplied with the grill

Assemble as shown (Fig. 06). Use threading compound on male threads only. Use a second pipe wrench to hold the grill inlet pipe to avoid shifting any internal gas lines of the grill. Ensure that the regulator arrow points in the direction of gas flow towards the unit, away from the supply. Do not forget to place the installer-supplied gas valve in an accessible location.

Bulk LP gas built-in hook up

Remove the brass elbow and LP regulator and hose. Install rigid 1/2" piping and step down LP regulator (11"wg) not supplied.

Note: when an LP unit is being directly connected to an LP house system, you must follow the natural gas hook up guidelines. The installer must provide the proper gas regulator to reduce the gas pressure to 11" W.C.

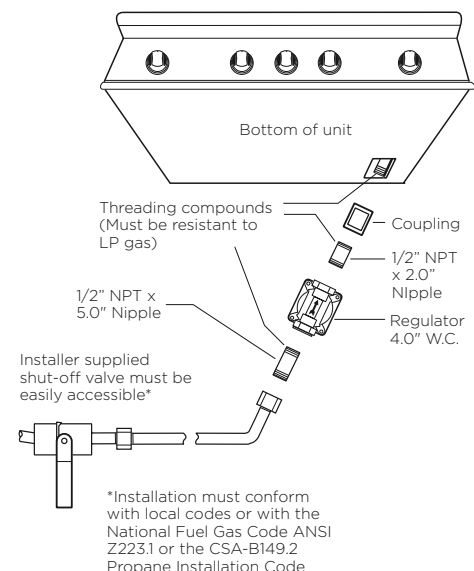


FIG. 06 Natural Gas

Gas Hook-up

LP cart hook-up

Grills orificed for use with combustible gas come equipped with a high capacity hose/regulator assembly for connection to a standard 20 lb. combustible gas cylinder (Type 1). The combustible gas tank is not included. **The grill system is leak tested, do not remove the Regulator/Hose assembly from the grill during cart installation.**

Connection: LP gas Hose with a Type 1 quick disconnect and regulator is included. **Operating pressure:** 11.0" W.C. Note: all gas piping and connectors must conform to the Standard for Connectors for Outdoor Gas Appliances and Manufactured Homes, ANSI Z21.75/CSA 6.27.

To connect the LP gas regulator/hose assembly to the tank/valve assembly, first make sure the main valve on the tank is completely closed. Although the flow of gas is stopped when the Type 1 system is disconnected as part of its safety feature, you should always turn off the combustible gas tank main valve (Fig. 07) after each use and during transport of the tank or unit. Insert the regulator inlet into the tank valve and turn to the black coupler clockwise until the coupler tightens up. Do not over tighten the coupler. Turn the main tank valve on and turn the burner control valves on the unit to the "HI" position for about 20 seconds to allow the air in the system to purge. Turn valves off and wait five minutes before attempting to ignite the burners.

To disconnect the coupler, first make sure the main tank valve is turned off. Grasp the coupler and turn counter clockwise. The inlet will then disengage. Remove the inlet from the tank valve opening if it has not already done so when it disengaged. Your local combustible gas filling station should be equipped with the proper equipment to fill your tank.

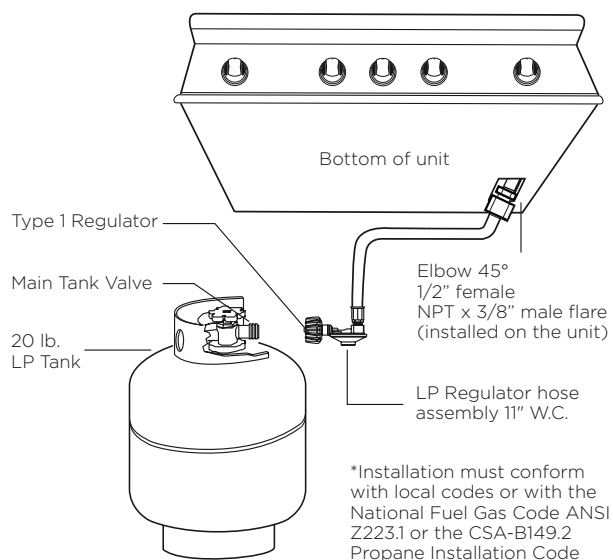


FIG. 07 combustible Gas - Cart

IMPORTANT!

- **Before connecting LP tank to regulator, check that all grill burners and rotisserie valves are in the OFF position and open grill hood.**
- **Do not place the Grill directly on the ground or any other flat surface without support. This will prevent damaging the regulator/hose assembly by the weight of the grill.**
- **Check the hose, regulator and connectors for damage. Look for cracks, abrasions, brittleness, holes, dents and nicks.**
- **Do not attempt to remove, repair, or replace the regulator/hose assembly by yourself. It must be done by a qualified licensed technician only.**

LP tank requirements:

A dented or rusty combustible gas tank may be hazardous and should be checked by your combustible gas supplier. The cylinder that is used must have a collar to protect the cylinder valve. Never use a cylinder with a damaged valve. Always check for leaks after every combustible gas tank change. The combustible gas cylinder must be constructed and marked in accordance with the specifications for combustible gas cylinders of the U.S. Department of Transportation (DOT or CAN/CSA-B339) and designed for use with a Type 1 system only. Do not change the regulator/hose assembly from that supplied with the unit or attempt to use a Type 1 equipped regulator/hose assembly with a standard 510 POL tank/valve assembly. The cylinder must be provided with a shut-off valve terminating in an combustible gas supply cylinder valve outlet specified, as applicable, for connection Type 1. If the appliance is stored indoors, the cylinder must be disconnected and removed from the appliance. Cylinders must be stored outdoors in a well-ventilated area out of the reach of children.

INSTALLATION

Gas Hook-up

LP built-in hook-up using a 20lb tank

If the grill is to be installed in a built-in application, then the grill must be installed in accordance with the built-in installation guidelines and the LP regulator/hose assembly must be removed from the product.

Connection: LP Hose with a Type 1 quick disconnect and regulator is included. **Operating pressure:** 11.0" W.C. All gas piping and connectors must conform to the Standard for Connectors for Outdoor Gas Appliances and Manufactured Homes, ANSI Z21.75/CSA 6.27.

If you intend to operate your built-in grill on LP gas utilizing a 20lb type 1 cylinder, then a built-in LP tank restraint must be installed prior to initial use of the grill. The Installer must supply 1/2" ID Flex hose and fixed pipe and a flare adaptor as indicated in Fig. 08.

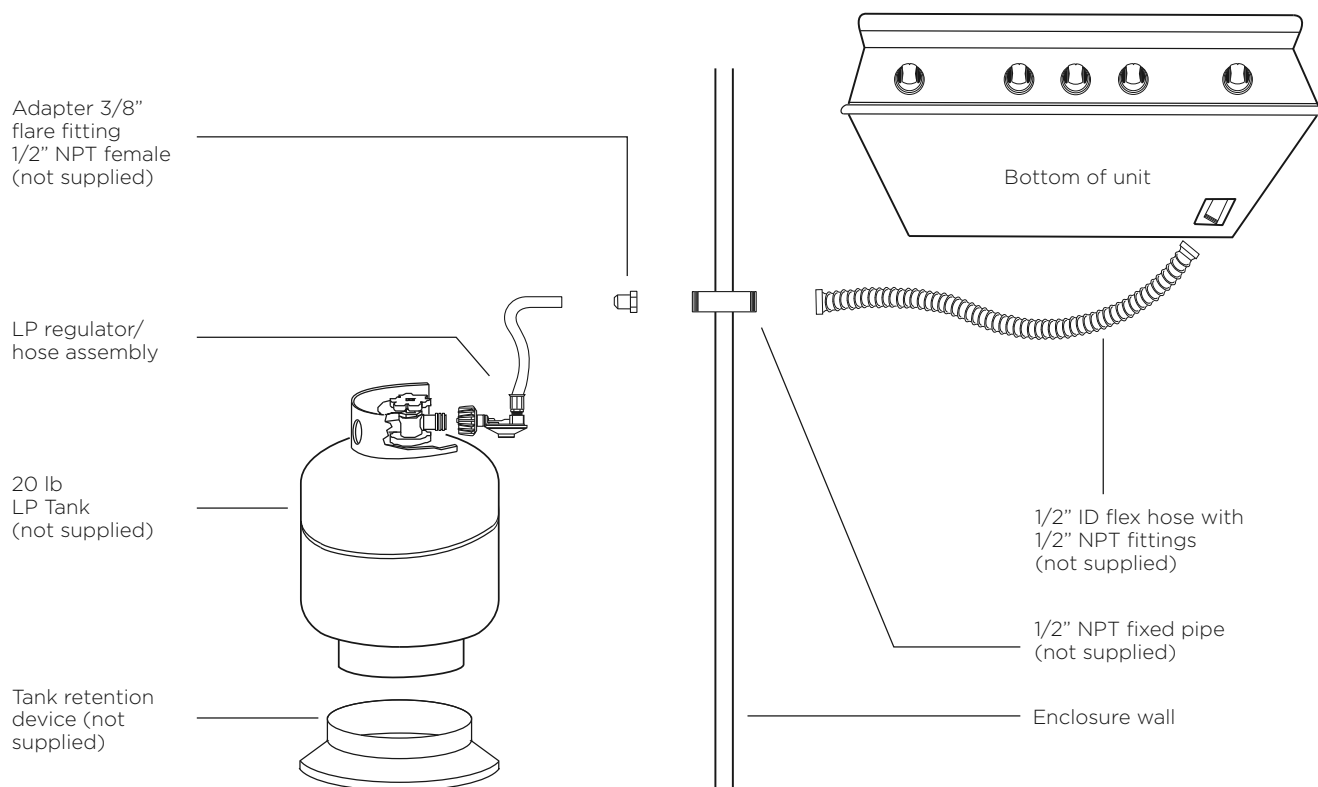


FIG. 08 LP Gas - Built-in

When using a LP gas cylinder ensure it is installed in a vertical position to provide the required vapor withdrawal.

This appliance can be used with any brand of 20lb LP gas tank provided it is compatible with a proper retention device (not supplied).

IMPORTANT!

Gas piping and connectors must be clamped within the the enclosure to avoid contact with moving parts and hot surfaces. Where the gas piping passes through an opening in the enclosure, the piping must be protected for a distance of at least 2" (50mm) either side of the opening.

Leak Testing

IMPORTANT!

Gas leak testing must be carried out by a qualified technician.

General

Although all gas connections on the grill are leak tested at the factory prior to shipment, a complete gas tightness check must be performed at the installation site due to possible mishandling in shipment, or excessive pressure unknowingly being applied to the unit. Periodically check the whole system for leaks, or immediately check if the smell of gas is detected.

Before Testing

Do not smoke while leak testing. Extinguish all open flames. Never leak test with an open flame.

Make a soap solution of one part liquid detergent and one part water. You will need a spray bottle, brush, or rag to apply the solution to the fittings. For LP units, check with a full cylinder. The valve panel must be removed to check the valves and fittings. Remove the knobs and the safety valve knob, then remove the 2 screws which fasten the valve panel to the unit (you will need a Philips screw driver for this). Pull the valve panel outward and unplug the wires from the ignition module. In the back of the unit remove the screws which hold the service panel in place. Remove the service panel.

To Test

Make sure all control valves are in the "OFF" position. Turn the gas supply "ON". Check all connections from the supply line, or LP cylinder up to and including the manifold pipe assembly. Apply the soap solution around the connection, valve, tubing and end of the manifold. Avoid getting the soap solution on or in the valve switches. Soap bubbles will appear where a leak is present. If a leak is present, immediately turn off gas supply, tighten any leaking connections, turn gas on, and recheck. Check all the gas connections at the base of the control valves where they screw into the manifold pipe.

To check rotisserie burner and safety valve the burner must be lit, then leak test the connections located behind the service panel. If you cannot stop a gas leak turn off the gas supply and call your local gas utility, or the dealer you purchased the appliance from. Only those parts recommended by the manufacturer should be used on the grill. Substitution can void the warranty.

IMPORTANT!

- **Do not use the grill until all connections have been checked and do not leak.**
- **Check all gas supply fittings for leaks before each use. Keep a spray bottle of soapy water near the gas supply shut-off valve. Spray all the fittings, bubbles indicate leaks.**

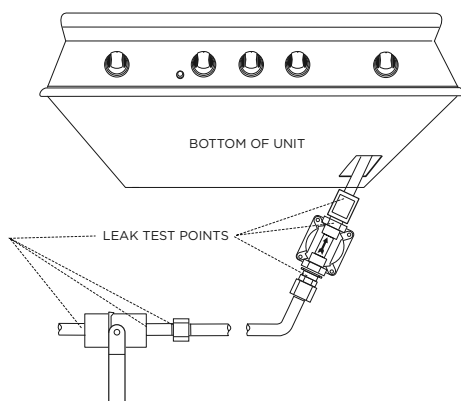


FIG. 09 Nat. Gas

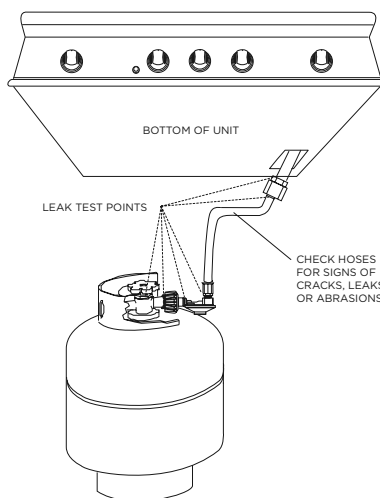


FIG. 10 LP Gas - Cart

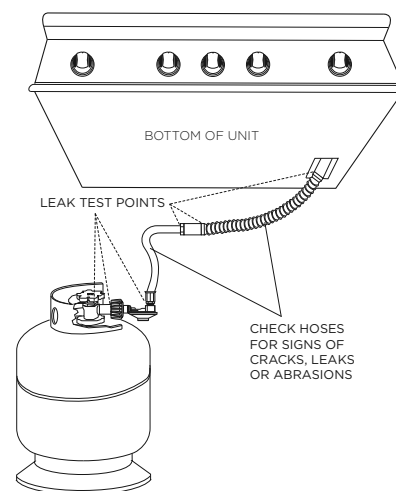


FIG. 11 LP Gas - built-in

Ignition Battery

See page 34.

Burner Adjustment

IMPORTANT!

Before lighting, inspect the gas supply piping or hose prior to turning the gas “on”. If there is evidence of cuts, wear, or abrasion, it must be replaced prior to use.

U-burner burner air adjustment

Each grill burner is tested and adjusted at the factory prior to shipment; however, variations in the local gas supply or a conversion from one gas to another may make it necessary to adjust the burners. The flames of the burners (except the rotisserie burner) should be visually checked and compared to that of the drawing in Fig. 12. Flames should be blue and stable with no yellow tips (LP units may have some yellow tipping), excessive noise or lifting. If any of these conditions exist, check if the air shutter or burner ports are blocked by dirt, debris, spider webs, etc. If cleaning the burner ports and air shutter does not improve performance, you can alter the air shutter adjustment. The amount of air which enters a burner is governed by a metal cup at the inlet of the burner called an air shutter. It is locked in place by a screw which must be loosened prior to lighting the burner for adjustment.

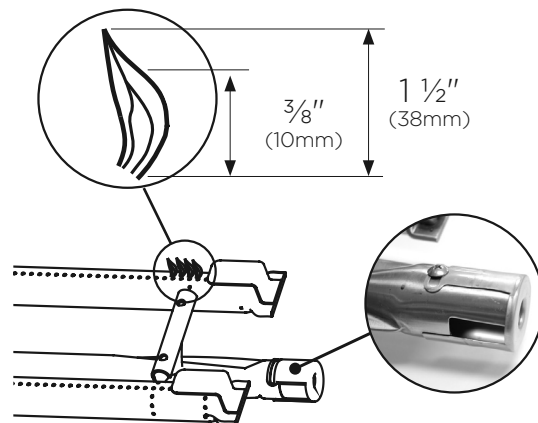


FIG. 12

U-burner flame height adjustment

Before beginning, ensure the grill is OFF and cool. To access the grill burner air shutters, first remove the grates and radiants from the firebox, then remove the grill burner using instructions shown on page 41. With a screw driver, loosen the lock screw on the face of the air shutter slightly so that the air shutter can be adjusted.

To adjust

- ① Be careful as the burner may be very hot.
- ② If the flame is yellow, indicating insufficient air, turn the air shutter counter-clockwise to allow more air to the burner.
- ③ If the flame is noisy and tends to lift away from the burner, indicating too much air, turn the air shutter clockwise.

Note: reinstall the U-burner, ensuring it is level. Light the burner and check the flame. If the color of the flame is blue and the height is stable, remove the burner and tighten the air shutter screw. If the flames show instability or an inconsistent color, repeat the above procedure to readjust the air shutter.

Low flame setting adjustment

The valves on the grill feature an adjustable low setting. Due to fluctuations in gas pressure, heating value or gas conversion, you may feel it necessary to increase or decrease gas flow in the low position. We do not recommend adjusting the infrared rotisserie burner.

To adjust

- ① Light the burner.
- ② Turn the control knob to the lowest setting (counter-clockwise).
- ③ Remove the knob.
- ④ While holding the valve shaft with pliers, insert a thin, flat tipped screwdriver into the shaft and while viewing the burner adjust to a minimum stable flame. For sear burners, a slight flutter will be present before the flame becomes unstable.

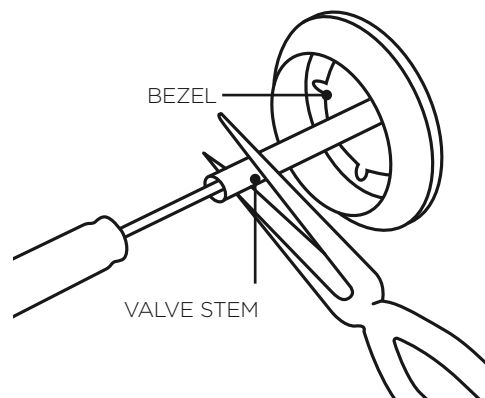


FIG. 13

Side burner flame height

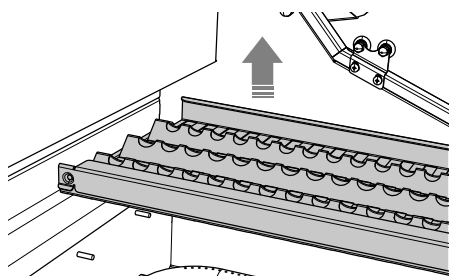
The correct height of the flame mainly depends on the size of the bottom of the cooking utensil, the material of the cooking utensil, the amount and type of food and the amount of liquid in the utensil. Following are some basic rules for selecting flame height.

- For safety reasons the flame must never extend beyond the bottom of the cooking utensil. Never allow flames to curl up the side of the pan.
- Utensils which conduct heat slowly (such as glass-ceramic) should be used with medium to low flames. If you are cooking with a large amount of liquid, a slightly larger flame can be used.

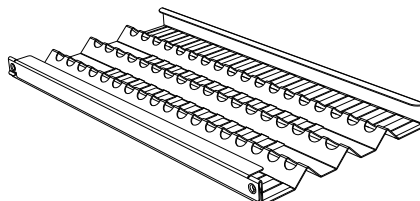
Radiant Assembly

IMPORTANT!

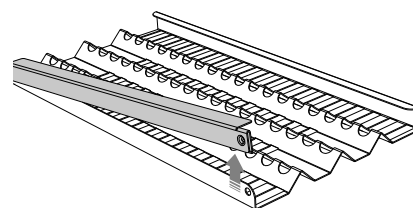
Before assembling the radiant, check that the radiant trays have not moved during transit. They should sit securely on their locating pins in the base of the grill.



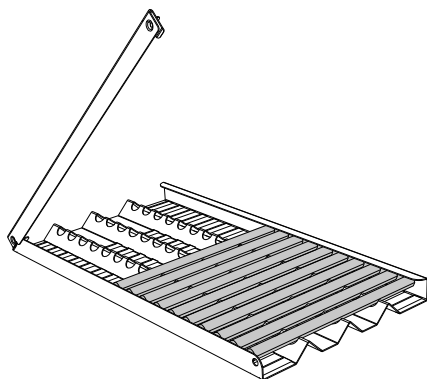
① Locate the radiant in the unit.



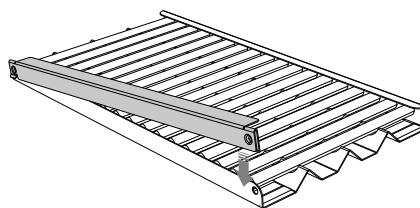
② Unpack ceramic rods and remove radiant from the unit.



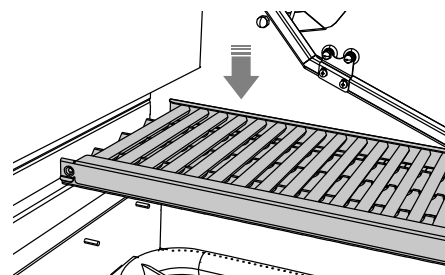
③ Unlock radiant end cap by pushing it up with two fingers.



④ Place the ceramic rods onto the radiant.



⑤ Lock radiant end cap.



⑥ Place the assembled radiant into the unit.

If a ceramic rod breaks

- ① Unlock radiant end cap by pushing it up with two fingers.
- ② Replace broken ceramic rod.
- ③ Lock radiant end cap.

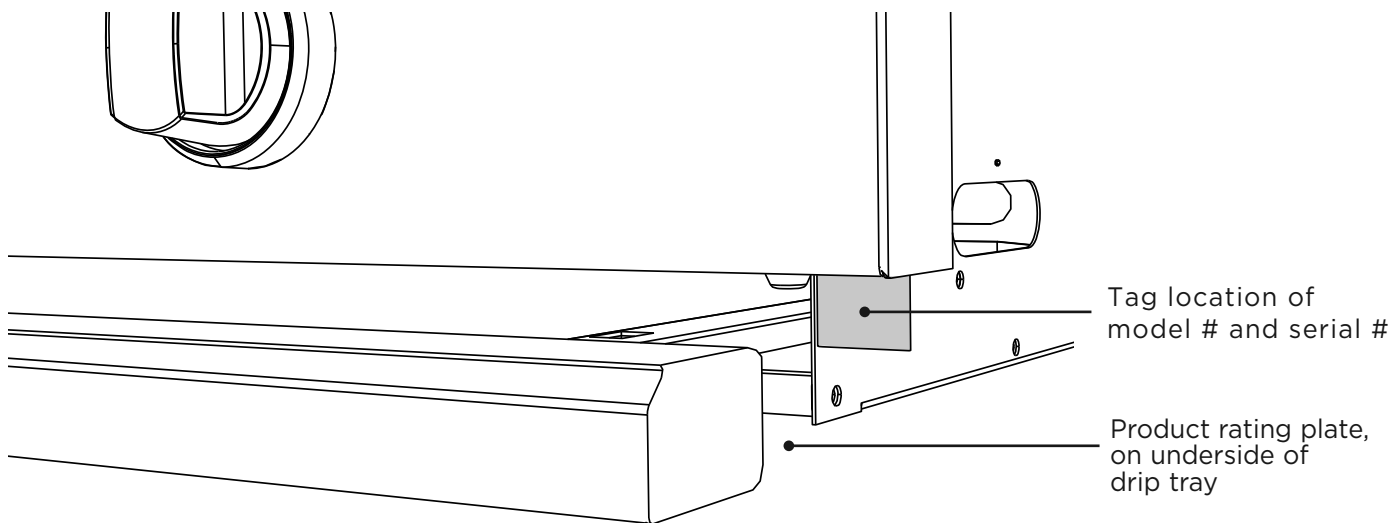
To order a replacement ceramic rod, please visit www.dcsappliances.com.

INSTALLATION

✓ Installer Checklist

- | | | |
|---|---|--|
| <input type="checkbox"/> Specified clearances maintained to combustibles. | <input type="checkbox"/> Each burner lights satisfactorily - individually or with adjacent burner lit. | <input type="checkbox"/> Unit tested and free of leaks. |
| <input type="checkbox"/> Verified proper enclosure ventilation. | <input type="checkbox"/> Air shutters adjusted. | <input type="checkbox"/> User informed of gas supply shut-off valve location. |
| <input type="checkbox"/> All internal packaging and any adhesive residue removed. To remove stubborn residue, use rubbing alcohol or a commercially available adhesive remover. | <input type="checkbox"/> Low flame setting satisfactory. | <input type="checkbox"/> All radiant trays are assembled and put in place. |
| <input type="checkbox"/> Removed shipping bracket. | <input type="checkbox"/> Drip pan in place properly and sliding freely. | <input type="checkbox"/> Check match lighting. |
| <input type="checkbox"/> Knobs turn freely, bezels centered. | <input type="checkbox"/> Pressure regulator connected and set for 4.0" C.E. Natural, 11.0" C.E. LP gas. | <input type="checkbox"/> Sear burner models: ensure mesh is in place. |
| | <input type="checkbox"/> Manual shut-off valve installed and accessible. | <input type="checkbox"/> Please leave these instructions with the user. |
| | | <input type="checkbox"/> User, please retain these instructions for future reference. |

Contact DCS at www.dcsappliances.com if any of the listed items are missing. Please be prepared with your model #, serial # and description of item(s) that are missing.



IMPORTANT!

Read all installation instructions in this manual to see if the unit has been correctly installed. Ensure that installation has been completed correctly before use.

Lighting Instructions

Grill lighting instructions

IMPORTANT!

- **Open the grill hood before lighting. Turn all knobs to “OFF”. Turn the main gas supply on. If you smell gas, shut-off gas supply and call for customer care. Only light one burner at a time.**

Pushing in on the burner knob will activate the Grill Igniter, and then turning the knob from the “OFF” position will allow the flow of gas to the burner.

The Grill Igniter will glow orange, but there will be no clicking sound during ignition. Push in and hold the burner knob for two seconds. Verify that the hot surface ignitor is glowing. Turn the knob counterclockwise. Release when the burner lights. If the burner does not light in four to five seconds, turn knob “OFF” and wait five minutes before trying again so any accumulated gas may dissipate.

Match lighting

If the burner will not light after several attempts, then the burner can be match lit. If you have attempted to light the burner with the ignition, allow five minutes for any accumulated gas to dissipate.

U-burners

Keep your face as far away from the grill as possible while manually igniting. To manually ignite, pre-light a match before pushing and turning the control knob to “SEAR” for the leftmost or rightmost burner. Wait 2 seconds for gas to prime manual ignition tube, then move match to 10mm in front and a little below the hole located to the left of the burner (Fig. 14a). If the burner does not light in four to five seconds, turn knob off, wait five minutes and try again.

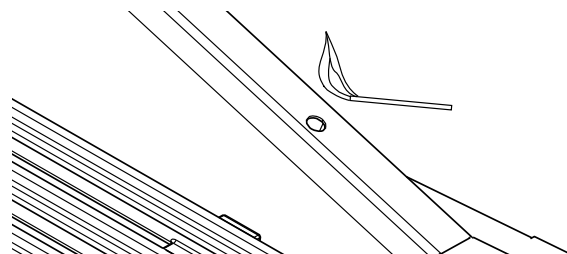


FIG. 14a

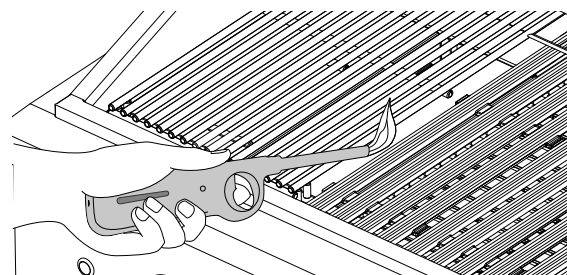


FIG. 14b

Sear burner (some models only)

Keep your face as far away from the grill as possible. To light, place a lit butane lighter into the gap between the grates until the lighter touches the mesh. (Fig. 14b). Push and turn the knob to “MAX”. If the burner does not light in four to five seconds, turn knob off, wait five minutes and try again.

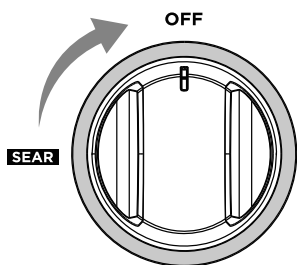
Refer to the Troubleshooting section of the user guide if you encounter any difficulties lighting your grill.

Resetting the flow control

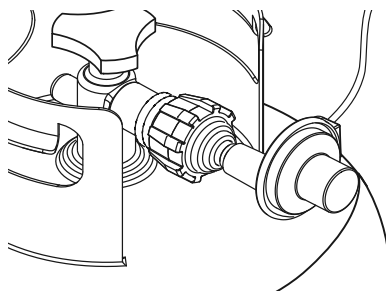
IMPORTANT!

Failure to follow the steps in the order shown may cause the Flow Limiting Device to activate resulting in extremely low gas flow and irregular operation

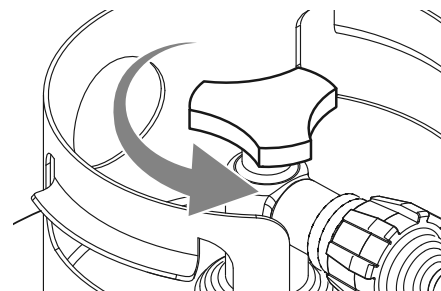
Improper lighting procedures can cause the LP tank flow control to activate resulting in reduced heat output. If this is suspected the flow control will need to be reset.



- ① All knobs must be in the OFF position.



- ② Attach regulator hose assembly to the tank.



- ③ Open the LP tank valve. (Two full turns min).

USING THE GRILL

Lighting Instructions

To Light Dual Side Burners (48BQR Models only)

IMPORTANT!

The side burner cover may be hot if the grill burners are in operation.

Side Burners Lighting Instructions

First remove the burner cover and any cooking utensils from the burner grate. The control knob is connected to the electronic ignition module. Pushing in on the control knob will activate the ignition module to get a spark. Push the control knob in and turn to "HI". If burner does not light in four to five seconds, turn knob "OFF" and wait five minutes before trying again for any accumulated gas to dissipate. If the burner will not light after several attempts, check the trouble shooting instructions on page 37.

Side Burners Match Lighting

Hold a lit paper book match near the burner ports, turn the control knob counterclockwise to "HI". Move your hand immediately once the burner is lit. Rotate the control knob to the desired setting.

Note: if you are using propane gas, a slight pop or flash may occur at the burner ports a few seconds after the burner has been turned "OFF". This "extinction pop" is normal for propane gas.

Side burners

Your side burner is equipped with burners typical of those used in restaurants. These burners are designed for maximum cleanability and controlability. The burner should never be operated if the cap is not in place (Fig. 16).

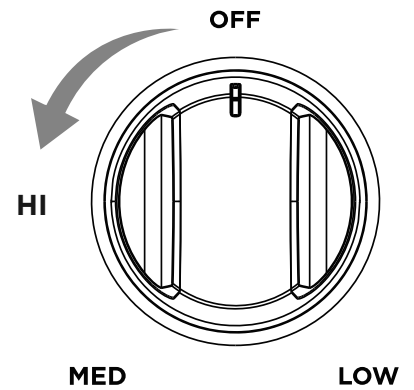


FIG. 15

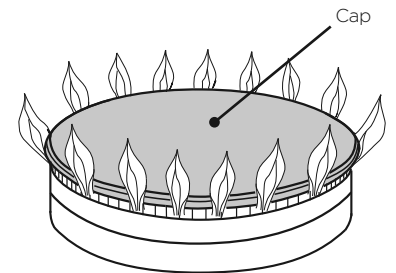


FIG. 16

Grilling

Each grill section consists of a large stainless steel burner, a series of ceramic rods encased in a stainless steel radiant and a stainless steel heat retaining grate. Below the burners there is a stainless steel heat shield which reflects usable heat upward into the cooking area and reduces temperatures of the drip pan below. Above the burners are stainless steel radiants which encase the ceramic rods and protect the grill burner ports from blockage (Fig. 17a).

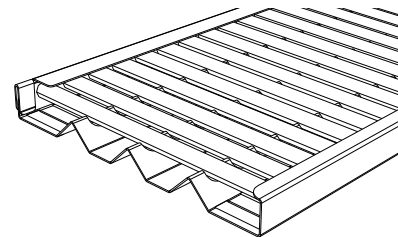


FIG. 17a

The grill is supplied with radiant ceramic rods. The ceramic rods have the thermal mass to capture heat as it rises from the grill burners. Flare ups are controlled because the radiant ceramic rods get hot & vaporise majority of food drips that cause flare ups. The intense heat produced by this system allows for production of true grilled flavours.

Sear burner models only

Each sear burner section consists of a sear burner, a wire mesh, and wire grate. Each burner is rated at 24,000 Btu/hr or 25.3 MJ/hr. Below the burner is a stainless steel heat baffle which reflects usable heat upward into the cooking area and reduces temperatures of the drip pan below. On the right side of the sear burner is a removable stainless steel wall designed to reflect heat back to the cooking zone above while also preventing the adjacent cooking zones from overheating. (Fig. 17b).

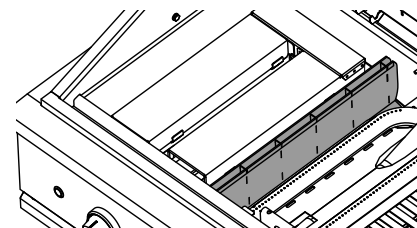


FIG. 17b

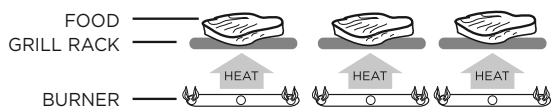
The wire mesh on the sear burner is designed to protect the ceramic tiles from food debris which may block the pores in the tiles. Most grease will vaporise on contact with the hot mesh and tiles.

Direct/indirect cooking notes

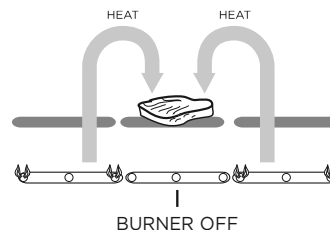
Direct cooking involves placing food on grates over lighted burners. Use this method for foods that take less than 20 minutes to cook or to sear larger items at the start of the cooking process that will then be indirectly cooked to finish. Place items on the preheated surface and leave until they no longer stick. Never spray water on the grill or into grease. The patented Grease Management System™ reduces flare-ups by channeling grease away from the flame. Use a meat thermometer to achieve desired doneness and remove items 5 - 10 degrees below how you would like to enjoy them, as the resting period before carving or consuming will raise the temperature.

Indirect cooking method is a popular alternative to direct heat grilling. Indirect cooking uses heat from an adjacent heat source to cook food and, in many cases, reduces the possibility of overcooked or overly browned food. Foods most appropriate for indirect grilling include breads, thicker pieces of chicken or steaks. Indirect cooking involves placing the food to the side of or above the heat source instead of directly over the flame and then closing the grill top to create an oven effect. All the items you usually oven-roast can be grilled to perfection using indirect heating. Preheat the burners surrounding the food to be cooked. Use your secondary cooking tray to hold food and add water or chicken broth to the tray to prevent the natural juices from burning or evaporating. When indirect cooking over the sear burner, make sure there is a tray in place to collect any drips.

Direct Heat Grilling



Indirect Heat Grilling



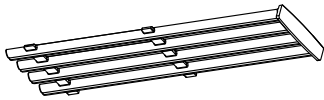
IMPORTANT!

- **Season your grates before first use and then periodically to protect the grate surface from corrosion, and to stop food sticking. See 'Care and Maintenance'. To season the grates, pour a tablespoon of vegetable oil on a soft cloth and rub on both sides of the grates (only W-grate). Only a light coating is needed and some smoke may be visible during the preheating.**
- **Grilling requires high heat for searing and proper browning. Most foods are cooked at the "MEDIUM" to "LOW" heat setting for the entire cooking time. However, when grilling large pieces of meat or poultry, it may be necessary to turn the heat to a lower setting after the initial browning. This cooks the food through without burning the outside. Foods cooked for a long time or basted with a sugary marinade may need a lower heat setting near the end of the cooking time. For models with Sear Burner, you can use Sear Burner to quickly brown the surface of your foods and then use U-Burner on Low to finish cooking & reach desired doneness.**

USING THE GRILL

Using the U-burners

- ① Ensure that the drip pan and grease tray are in place.
- ② Set your grates to preferred position for cooking (referring to angle position plus W side or radius side up)
- ③ Light the grill burners following the "LIGHTING INSTRUCTIONS".
- ④ Once you have verified the burners are lit, set to your preferred heat setting (For Low & Med heat setting preheat for 5 mins & for High & Sear heat setting preheat for 10 minutes) with hood down.
- ⑤ Place the food on the grill and cook to the desired doneness. Adjust heat setting, if necessary. The control knob may be set to any position between "SEAR" and "LOW".
- ⑥ When you have finished using the grill, turn the control knobs to "OFF" and shut off the main gas supply.
- ⑦ Allow the grill to cool and clean the grates, drip pan and grease tray after each use.



Dual-sided grates

The double-sided grates provide varying surfaces for varying textures. The W-shaped side creates nice sear lines for steaks, chicken and chops and routes oil and grease away from the food. The opposite radius side offers more surface area for support and handling of delicate items like scallops. See below for a sample list of which foods to cook on which side of the grate.



Using the temperature gauge

When preheating the grill, use the temperature gauge in the hood to check if the grill has reached the desired heat setting.

Note: the temperature gauge only indicates air temperature inside the grill. For food safety and optimal cooking performance, use a meat probe to check the temperature of meat while cooking and to ensure desired internal temperatures are reached.

Grilling Hints

The time it takes to reach a certain doneness within meat (rare, medium or well done) is affected by the thickness of the cut & the cooking temperature used. If grilling a 2" piece of Rib eye at high temperature it is most ideal to sear the surface first before cooking at a lower temperature till you achieve the desired doneness. This can be checked using a thermometer. When defrosting meats it is recommended that it be done overnight in the refrigerator as opposed to a microwave.

"W" SHAPED GRATE 	RADIUS GRATE 
• Chicken (bone-in and boneless cuts)	• Delicate fish fillets
• Steaks	• Lobster meat
• Chops	• Shrimp
• Burgers	• Scallops
• Ribs	• Clams
• Kabobs	• Mussels
• Steak cuts of fish like tuna and swordfish	• Suckling pig
• Whole fish	• Turkey legs
• Game	• Indirect cooking and smoking
• Oysters	• Potatoes
• Large slices of whole vegetables	• Smaller vegetables or slices
• Fruit	• Roasted peppers
• Bread	• Roasted whole garlic
• Sausages	• Pizza dough and flat breads
• Hot dogs	• Crab cakes

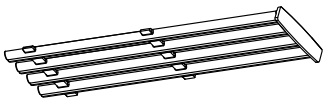
Using the Sear burner (some models only)

- ① Ensure that the drip pan and grease tray are in place. The sear burner should be visually checked before each use.
- ② Light the sear burner & the adjacent U Burner following the "LIGHTING INSTRUCTIONS"
- ③ Once you have verified the sear burner is lit, set to "MAX" for sear burner & "SEAR" for U-burner and pre-heat for 10 minutes with the hood down. If using LP gas, or if the sear burner area is already warm, preheating your grill for at least 5 minutes will allow the sear burner area to warm up to searing temperatures. Ensure the ceramic tiles are uniformly red in appearance before use.
- ④ Place the food on the grill and cook to the desired doneness. Adjust heat setting, if necessary. The control knob may be set to any position between "MAX" and "LOW". Some food particles will show as yellow flames but should burn off.
- ⑤ When you have finished using the sear burner, turn the control knob to "OFF" and shut off the main gas supply.
- ⑥ Allow the grill to cool and clean the grates, drip pan and grease tray after each use.

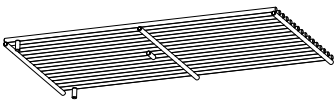
IMPORTANT!

Never place food over a sear burner before it is fully pre-heated. Food particles and grease dripping onto a cold sear burner can cause damage.

Dual-sided grates



The double-sided grates provide varying surfaces for varying textures. The W-shaped side creates nice sear lines for steaks, chicken and chops and routes oil and grease away from the food. The opposite radius side offers more surface area for support and handling of delicate items like scallops. See below for a sample list of which foods to cook on which side of the grate. The dual-sided grates are not to be used over the sear burner.



Sear burner grate

The sear burner grate should be used directly over the sear burner. This grate has been designed to provide clean sear lines and optimal heat distribution.

Searing hints

Your sear burner can be used to achieve perfect sear lines or surface browning on your food before moving it to a low heat to finish the cooking process. The sear burner is ideal for the sear part of the reverse sear cooking method as it provides optimal conditions for direct searing.

Due to intense heat produced by the sear burner, we recommend keeping a close eye on your food & turning it constantly for optimal searing.

Do not allow the sear burner to get wet

Failure to keep the sear burner dry may result in product damage or poor performance. If the burner does get wet, allow it to dry completely before use. The sear burner is not dishwasher safe.

- ① Remove the sear burner (refer to page 36)
- ② Rest the burner upside down to allow the water to drain.
- ③ Let the burner dry before reinstalling into the grill (refer to page 36)

If the burner flares up or does not turn red during the pre-heat process, the burner may require replacement.

Grate positions

As well as moving the grates to be positioned to your preference along the grill, the dual-sided grates can be placed in an angled position. If the grates are hot, please use the multi-tool to move the grates or re-position them. Placing the grates in an angled positioned (Fig. 18a), allows fat and grease to run off food and into the grease management system while also allowing for a slightly slower cooking time. If you are using a griddle plate please ensure that the plate is flat or tilted at an upward angle, and not tilted down. Sear burner grates can only be used in a flat position as shown in Fig. 18b.

Dual-sided grates

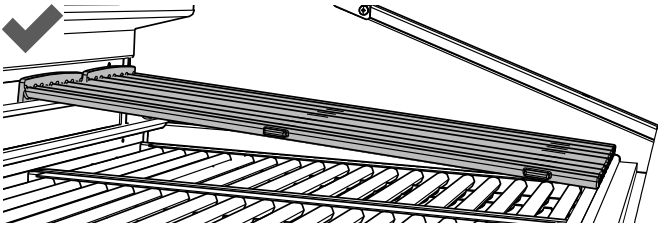


FIG. 18a

- The dual-sided grates can be used in an angled position.
- The dual-sided grates can not be used in a flat position.

Sear burner grates (some models only)

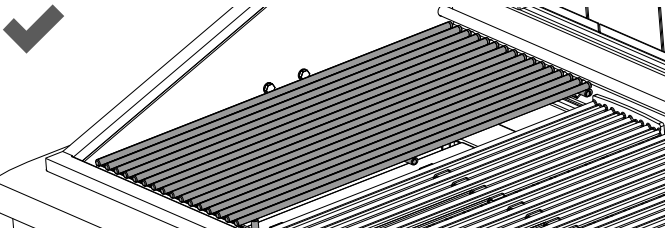


FIG. 18b

- The sear burner grate must be used over the sear burner in a flat position.
- Ensure the rear rod is secured via the hooks at the back of the grill. Do not place the sear burner grate above the back rods at any time.

The smoker system on each grill consists of a stainless steel slide out tray which is positioned above a 3,500 Btu/hr or 3.7 MJ/h burner. The burner is controlled by a precision brass valve which is capable of being turned down to very low heat levels. The system may be used alone for low temperature roasting and smoking or in conjunction with any combination of other burners. When using the smoker system in conjunction with the optional infrared rotisserie burner, you'll find it helpful to use the low setting of the smoker burner to minimize the heat rising up to the rotisserie basting pan. Staggering the meat away from the smoker burner also helps.

To minimize burn potential do not completely remove the smoker tray when hot.

To light the smoker burner

Open the lid and remove the smoker tray. Locate the burner visually by looking through the cut-out in the valve panel. Push in the burner knob and turn to the "HI" position until the burner is lit. If the burner doesn't ignite, wait five minutes for any accumulated gas to dissipate, then try again. If the burner will not light after several attempts, wait five minutes, then match light using a paper book match through the cut-out in the valve panel. Once lit, fill the smoker tray and replace.

Wood chips

There are many wood chips available for purchase and selection is based on personal taste. The most common wood chips used are mesquite or hickory. Mesquite has a sweeter taste and is commonly used with poultry and seafood. Hickory is best suited for red meats. Use of oak, cherry, maple, aspen or apple is also common while aromatic herbs like sage, bay leaves, thyme or basil may also be used. Soaking the chips in water before using them will help ensure the wood chips smoke and do not flame up. To start, you may want to use the "HI" position to start the chips smoking, then reduce the heat to a lower level to prevent them from drying out and flaming. If the wood chips do flame up, add a small amount of water to extinguish the flame. This should be done carefully through the top in the grill area, or by pulling the tray out slightly. Use caution when adding water to a hot tray to avoid steam burns, and never completely remove a hot tray. When smoking, the lid should remain closed as much as possible to maximize the effect. During extended roasting periods it is normal to add fresh wood chips to the tray several times.

Your smoker tray comes with a removable smoker lid. For best results we recommend using the smoker lid.

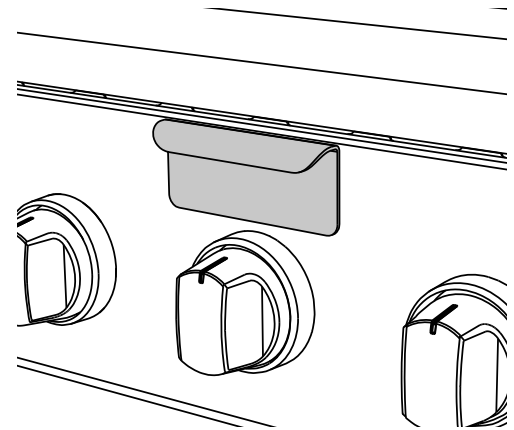


FIG. 18

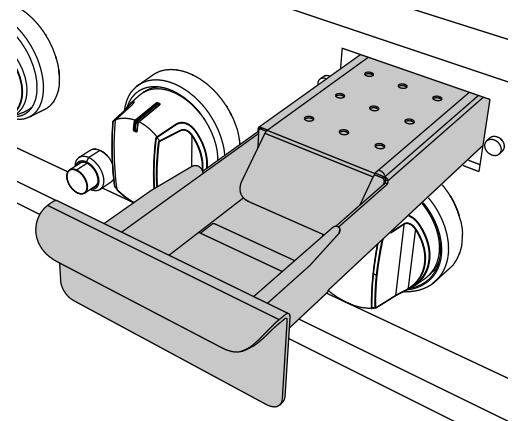


FIG. 19

USING THE ROTISSERIE

The grill rotisserie system is designed to cook items from the back using infrared heat. The location of the burner allows the placement of the rotisserie basting pan (included) beneath the food to collect juices and drippings for basting and gravy. To flavor the contents of the basting pan, you can add herbs, onion, garlic, or spices. Hams are especially good with the addition of pineapple slices and brown sugar to the basting pan. The rotisserie burner is an infrared type which provides intense searing radiant heat. Preferred by chefs over other methods, this intense heat is magnificent for searing in the natural juices and nutrients found in quality cuts of meat.

Once lit, the rotisserie burner will reach cooking temperatures in about one minute. The orange/red glow will even out in about five minutes. The rotisserie motor is equipped with metal gears and is capable of turning up to a 50 lb. cut of meat or poultry. The rotisserie motor on the grills is secured down to a cast rotisserie block with two black screw-down knobs. The rotisserie block is in turn bolted to the right side panel. The rod for the rotisserie is assembled into the motor assembly by placing the pointed end into the motor, and resting the handle end on the support at the left side of the grill. With the rod pushed as far as possible into the motor, the round end of the rod should rest on the rollers.

The motor is equipped with a halogen bulb to provide light when other sources of light are not sufficient. Use only a 50W (or its equivalent) Max. Halogen Narrow Flood replacement bulb.

IMPORTANT!

Halogen lamps are constructed of a glass bulb with a pressurized internal filament tube that operates at high temperatures and could unexpectedly shatter. Should the outer bulb break, particles of extremely hot glass could be discharged into the fixture enclosure and/or surrounding environment, thereby creating a risk of personal injury or fire. When replacing the bulb, let the bulb cool, and assure that power to the light has been turned off. Never allow the hot bulb to come into contact with water. DO NOT TOUCH the light bulb when in use. It may be hot enough to cause injury.

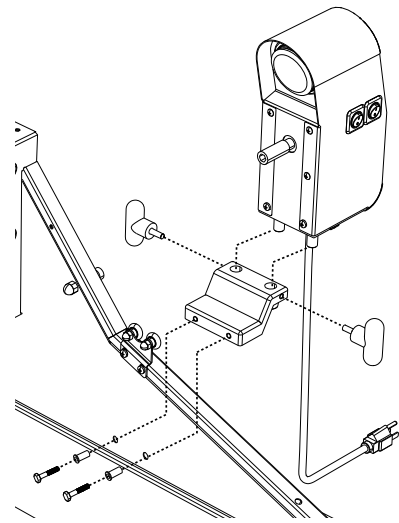


FIG. 20

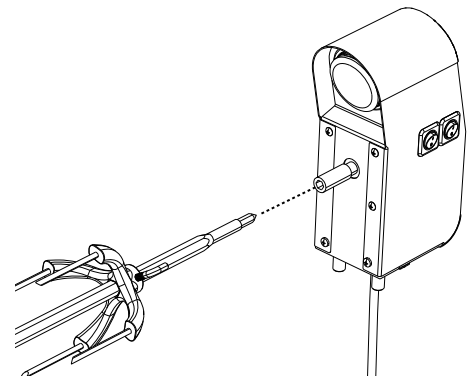


FIG. 21

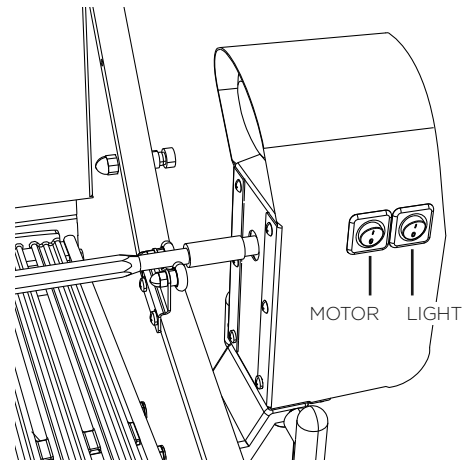


FIG. 22

IMPORTANT!

Do not use the grill burners when the rotisserie burner is on. It will burn your meat and make it very dry. Use only one section at a time, grill or rotisserie.

Preparation

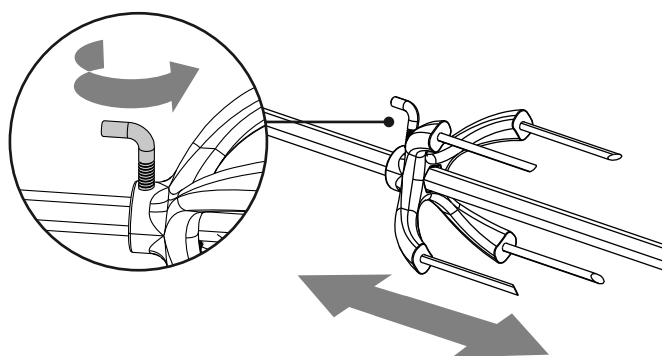
Recommended: dental floss or butcher string, scissors, broiler pan (bottom only), pliers, meat probe, foil, and hot pads.

Working area

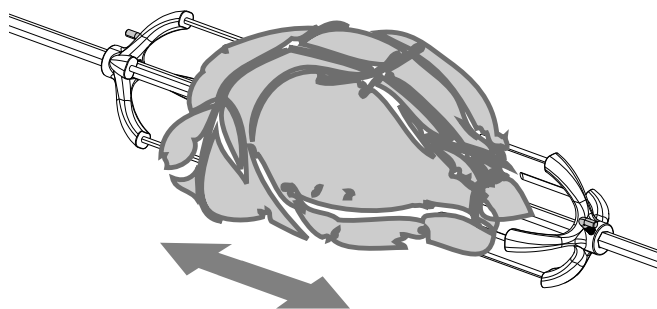
Allow enough space to accommodate food and rotisserie rod assembly in a clean environment.

Meat preparation

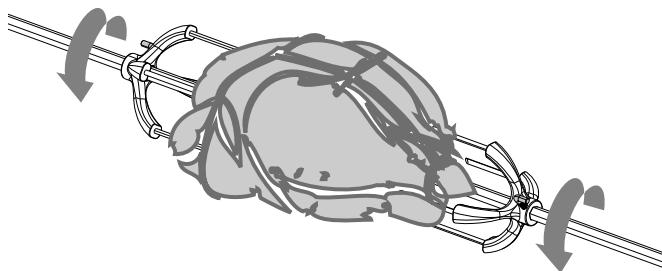
Tie meat with butcher string or dental floss in three areas. Purchase a roast that is equally balanced from top to bottom in size to ensure meat will cook evenly while on the rotisserie. For poultry, tie wings and legs to the body using dental floss or butcher string to prevent flopping around while turning.



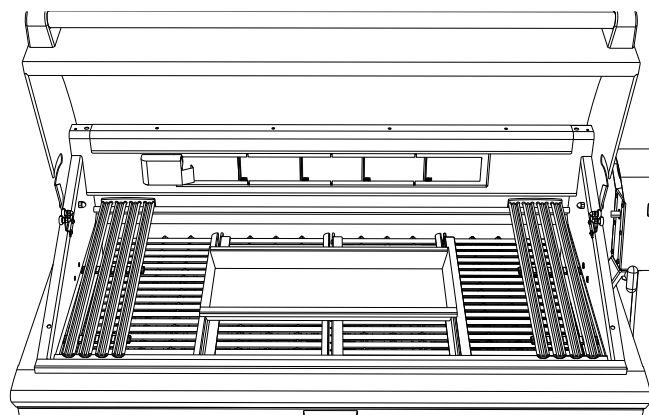
- 1 Determine the center placement for the food, put first prong on the rod, turn "L"-shaped screw to tighten.



- 2 Center tied meat/poultry on the rod, place second prong, turn "L"-shaped screw to tighten.



- 3 Pick up the rod, rotate it to check for balance. If unbalanced, adjust prongs and food. Take pliers and tighten the "L"-shaped screws on both prongs.



- 4 Remove grates and top rack on the grill. Place bottom portion of basting pan on ceramic rods so meat drippings can be caught in pan.

USING THE ROTISSERIE

To light the rotisserie burner before cooking

The location of the rotisserie burner makes it more susceptible to strong wind conditions, more so than the protected grill burners. For this reason you should avoid operating the rotisserie during windy conditions. As an added safety feature we've equipped the burner with an automatic safety valve which will not allow gas to flow to the rotisserie burner unless the following conditions are present with the knob on:

- ① The safety valve button is pressed, and held down.
- ② The safety valve thermocouple has been sufficiently heated to keep safety valve open.

Open the lid. Push in and hold the burner knob. You'll hear a snapping sound. Turn the burner knob to "HI". Engage the safety valve button and continue to hold until the burner is lit. Once lit, turn burner knob to desired setting. If the burner does not light within four to five seconds, release the safety valve button and turn the burner knob to "OFF" and wait five minutes before trying again.

- If relighting a hot burner, wait five minutes.
- Never leave the control knob on if rotisserie is not in use.
- Never light the grill burners under the rotisserie while the rear rotisserie burner is lit.

Manual lighting

To manually light the rotisserie, place a butane lighter near the tip of the thermocouple as shown in Fig. 23. Turn the burner knob to "HI". Hold the safety valve button in for about four to five seconds or until the burner remains lit. Once lit, turn burner knob to desired setting. If the burner does not light within four or five seconds, release the safety valve button and turn the burner knob to "OFF" and wait five minutes before trying again.

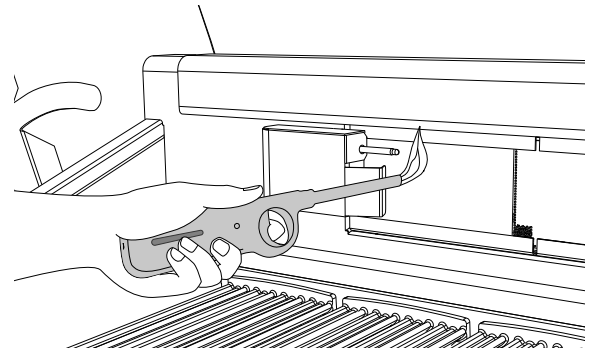


FIG. 23

IMPORTANT!

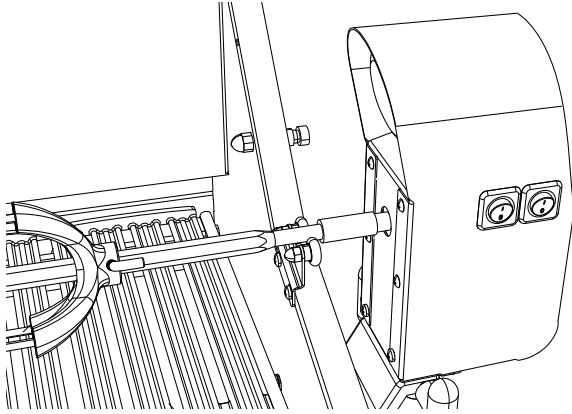
Keep hands and face away from front of burner! Stand to the side when lighting. Once lit move hand away quickly.

IMPORTANT!

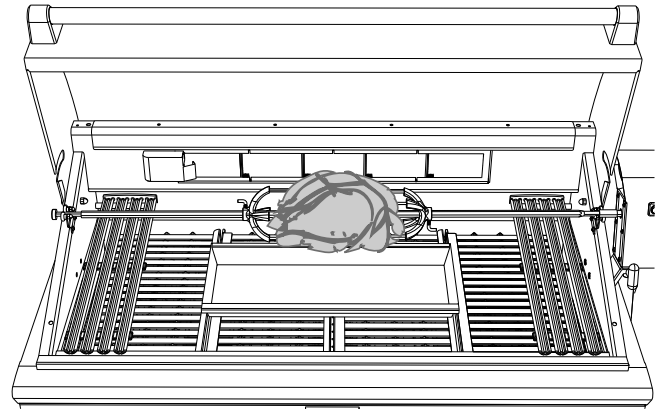
Electrical Grounding Instructions: this appliance (rotisserie motor) is equipped with a three-prong (grounding) plug for your protection against shock hazard and should be plugged directly into a properly grounded three-prong receptacle or a three-prong grounded extension cord rated for the power of the rotisserie motor and approved for outdoor use with a W-A marking, or use only extension cords with a 3 prong grounding plug, rated for the power of the equipment, and approved for outdoor use with a W-A marking. Never remove the grounding plug or use with a 2 prong adapter. Use only a ground fault interrupter (GFI) protected circuit.

The rotisserie motor must be electrically grounded in accordance with local codes or, in the absence of local codes, with the National Electrical Code, ANSI/NFPA 70. Keep the rotisserie motor electric cord away from the heated surfaces of the grill. When not in use, remove and store the motor in a dry location. To protect against electric shock, do not immerse the cord or plug in water or other liquid. Unplug product from the outlet when not in use and before cleaning. Allow the product to cool before putting on or taking off parts.

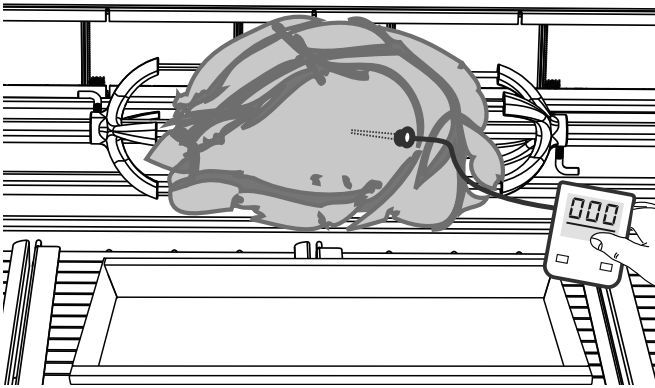
Cooking on the rotisserie



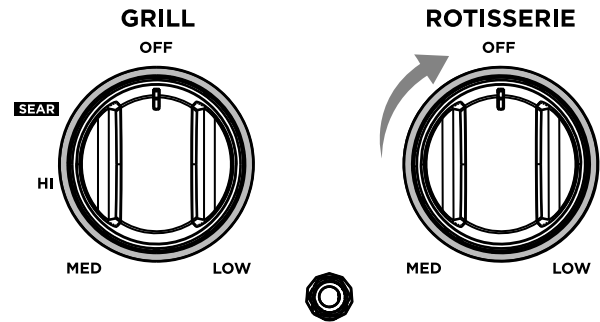
- ① Place prepared rod into motor, lay across and into the rollers on other side.



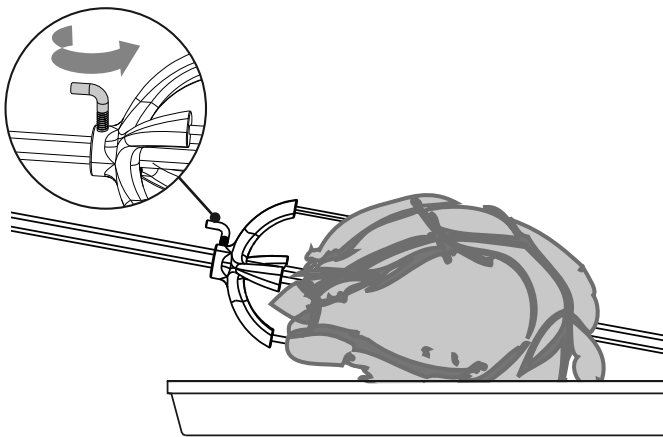
- ② Once placement has been verified, ignite burner and start rotisserie motor. Turn the burner knob to the desired setting.



- ③ To check temperature of the meat, turn off motor and turn temperature to low while using a meat probe.



- ④ Once finished, turn the motor and rotisserie knob to "OFF". If you have finished using the appliance altogether, turn the main gas supply off too.



- ⑤ Remove the rod and place meat or poultry on pan then remove prongs. Take care as the rod will be hot.

IMPORTANT!

The prongs are very sharp. Keep hands away from tips when removing the food.

Note: cover with foil for a 15 to 20 minute waiting time. Meat will carve better and juices will go back into the meat.

CARE AND MAINTENANCE

Ignition battery replacement

IMPORTANT!

Battery condition should be checked at least once a year.

- ① Remove drip pan.
- ② Open cart door (on cart model only).
- ③ Pull battery downwards (this may require use of pliers).
- ④ Re-install upward and push to snap (polarity shown in Fig. 24).

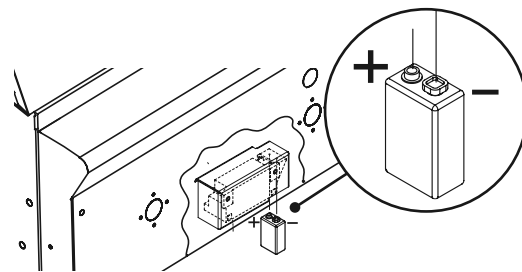


FIG. 24

Regulator and hose replacement

The pressure regulator and hose assembly supplied with the unit must be used. If replacements are needed, contact Customer Care at www.dcsappliances.com. Do not use the grill if the odor of gas is present. If the unit is LP, screw the regulator into the tank and leak check the hose and regulator connections with a soap and water solution before operating the grill. Turn all knobs to “OFF” then turn on the gas supply. If LP, check that there is gas in the tank.

IMPORTANT!

- **Always keep your face and body as far away from the grill as possible when lighting.**
- **DO NOT leave the grill unattended while cooking.**
- **Keep a spray bottle of soapy water near the gas supply valve and check connections before each use.**
- **Do not attempt to light the grill if the odor of gas is present.**
- **Wait five minutes before relighting a hot grill.**

Grill grates

Method 1

Turn on “HI” for 15-20 minutes to burn any remaining food particles. After turning the grill “OFF”, use a bristle barbecue brush to remove any remaining food particles or ash.

Method 2

The easiest way to clean the grill is immediately after cooking is completed and after turning off the flame. Wear a barbecue mitt to protect your hand from the heat and steam. Dip a soft brass bristle barbecue brush in a mixture of 2 cups of tap water and 1/2 cup of vinegar and scrub the hot grill. Dip the brush frequently in the bowl of water and vinegar. Steam, created as water contacts the hot grill, assists the cleaning process by softening any food particles. The food particles will fall onto the ceramic rods and burn or fall into the drip pan. If the grill is allowed to cool before cleaning, cleaning will be more difficult.

Method 3

Take about 1 foot of aluminum foil, crumpled up in a ball and rub it over cooled grates to release food particles.

Note: grill grates must be re-seasoned after cleaning to prevent rust stains.

Drip pan and grease tray

The full width drip pan with grease tray will collect grease from the grill section and boil overs and spills from the side burners. Allow the pan and its contents to cool before attempting to clean. Clean grease from the pan often to avoid the possibility of a grease fire.

Ceramic rods

It is not necessary to remove the ceramic rods for cleaning. They burn themselves clean during the next cooking operation. Periodically the trays holding the ceramic rods need to be turned over, and shaken free of debris for a thorough cleaning. How often you use the grill and the amount and type of food cooked will determine when it is necessary to clean the trays. If grease can be seen on the top of the tubes or if you get a lot of flare-up during cooking, the tubes need to be turned over and heated on “HI” for 30 minutes; longer for heavy soil.

Stainless steel

The grill is made from non-rusting and non-magnetic stainless steel. After initial usage, areas of the grill may discolor from the intense heat given off by the burners, this is normal. There are many different stainless steel cleaners available. Always use the mildest cleaning procedure first, scrubbing in the direction of the grain. To touch up noticeable scratches in the stainless steel, sand very lightly with wet 100 grit emery paper in the direction of the grain. Specks of grease can gather on the surfaces of the stainless steel and bake on to the surface and give the appearance of rust. For removal use an abrasive pad (Scotch Brite is good) in conjunction with a stainless steel cleaner. Always rub in the direction of the grain.

Note: stainless steel tends to corrode in presence of chlorides and sulfides especially in coastal areas. To ensure corrosion prevention, wash all stainless steel surfaces every three to four weeks with fresh water and stainless cleaner. Keep grill covered when not in use.

Electrodes

Wipe with a water dampened cotton swab. Be careful not to damage the electrode (see Fig. 25).

To remove the U-Burners for Cleaning

Ensure gas supply has been turned off. Remove the grill grates, then lift out the grill radiant tray. Grip the U-burner as shown in the photo (Fig. 27) and press downwards with your thumbs on the bracket in the back while lifting up on the U-Burner. In some cases it may be necessary to use a screw driver to pry open the slot to release the U-burner (Fig. 26). Pull it up and slightly to the rear of the unit so the burner air shutter head comes off the brass orifice at the front, angle the burner sideways, and remove. After cleaning, when re-installing the U-Burner ensure the U-Burner is completely level and locked in place. This is needed to ensure your grill provides even cooking performance.

Grill burner cleaning

Clean the exterior of the burner with a stainless steel wire brush. Clear stubborn scale with a metal scraper. Clear any clogged ports with a straightened paper clip. Never use a wooden toothpick as it may break off and clog the port. Shake out any debris through the air shutter. Use a flashlight to inspect the burner inlet to ensure it is not blocked. If obstructions can be seen, use a metal wire coat hanger that has been straightened (See Fig. 28).

Orifice cleaning (U-burners, rotisseries and sear burners)

With the burner removed, remove the orifice and shine a flashlight through the opening to ensure there is no blockage. Use a needle to clear any debris. Be extremely careful not to enlarge the hole or break off the needle.

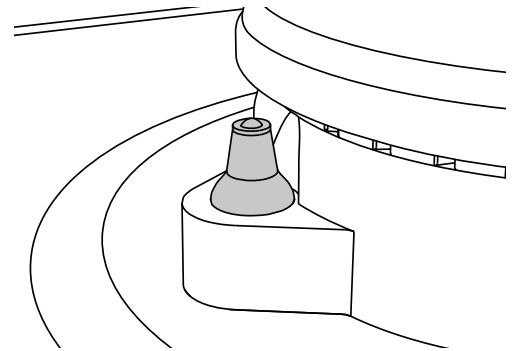


Fig. 25

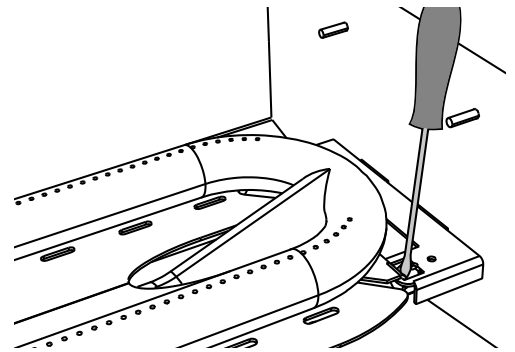


Fig. 26

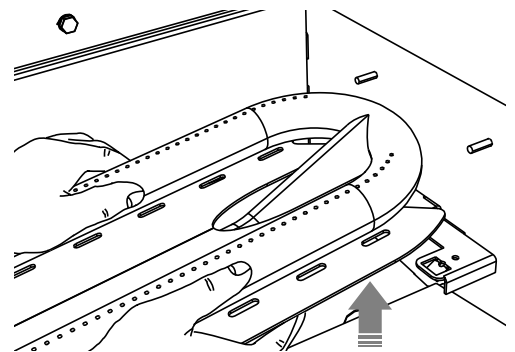


Fig. 27

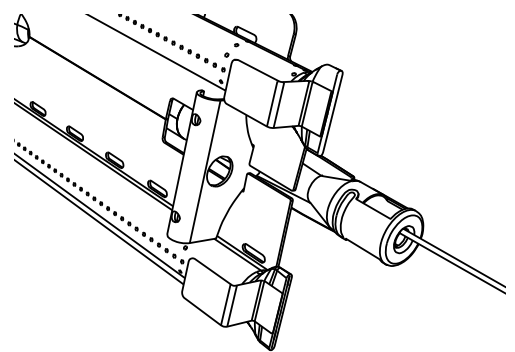
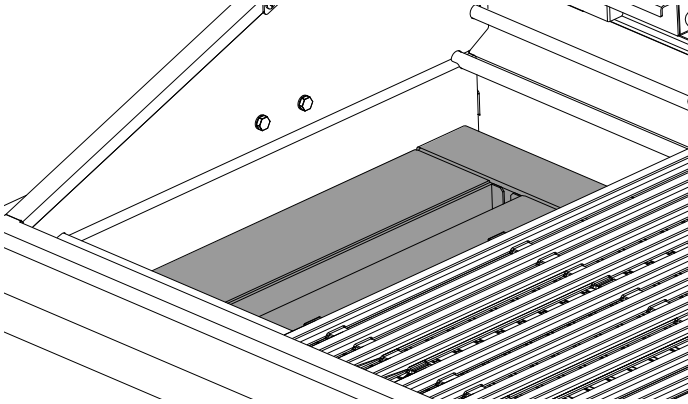


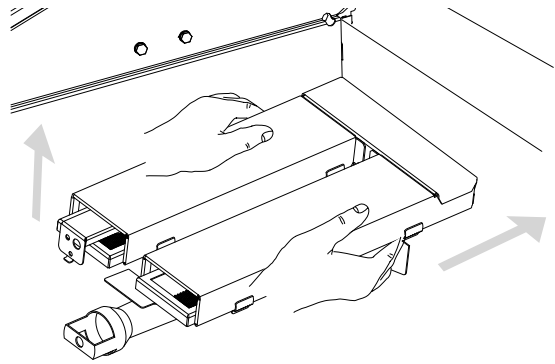
Fig. 28

CARE AND MAINTENANCE

Removing the sear burner for cleaning



- ① Ensure gas supply has been turned off and any grill grates have been removed.



- ② Grip the sear burner at the sides and lift up at the rear so the burner is removed from its mount. Slide the burner to the rear of the product so that the air shutter head comes off the brass orifice at the front. Lift burner upwards at the front of the product to remove.

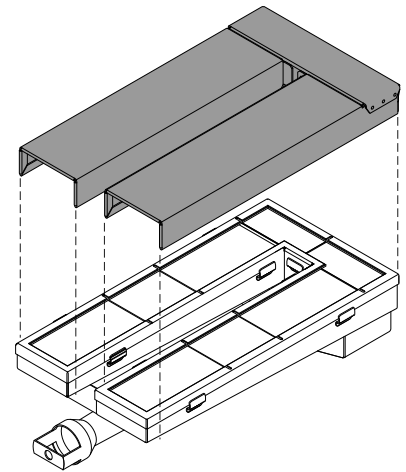
Sear burner cleaning

Gently vacuum the sear burner to remove debris from the pores. Do not use a wire brush to clean the burner. Avoid submerging the sear burner in water.

Removing and cleaning the sear burner mesh

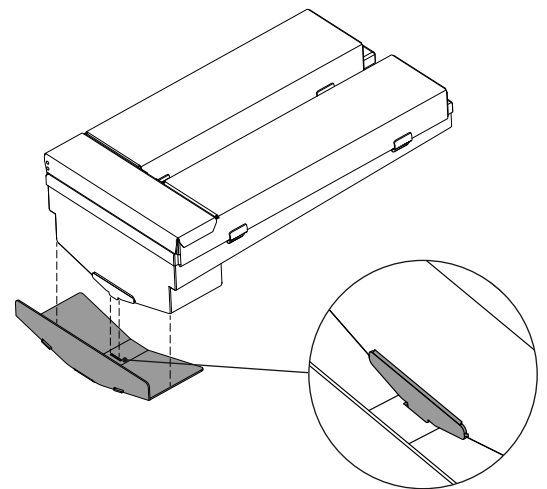
Lift the wire mesh up off the sear burner. Gently brush off any soil or food residue from the mesh and check for any insects and insect nests.

For a deeper clean of the mesh, it can be rinsed in warm water once removed from the burner.



IMPORTANT!

When re-installing the sear burner after cleaning, ensure that it is completely level and locked in place. This is needed to ensure your grill provides an even cooking performance.

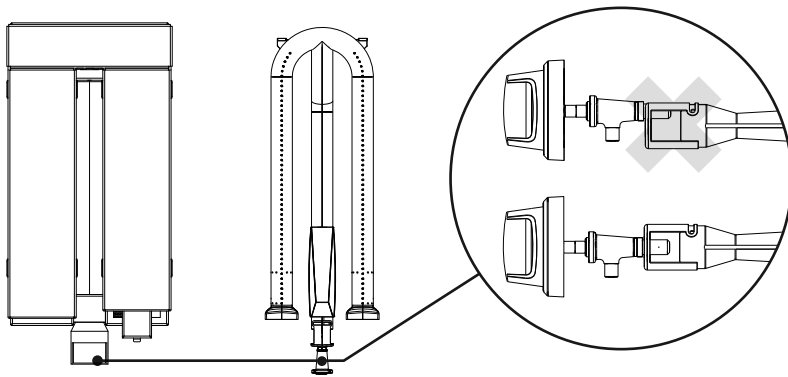


CARE AND MAINTENANCE

Burner alignment

IMPORTANT!

Center the burner onto the orifice properly before lighting the grill to prevent fire hazard or explosion.



REMOVE DRIP PAN TO VIEW CONNECTION

Fig. 29

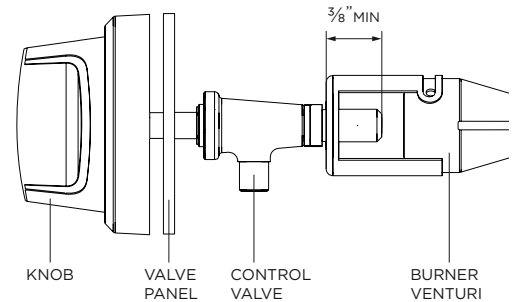


Fig. 30

Be careful not to misalign the air shutters' original position (unless readjusting). Lower the rear of the burner into the cutouts on the support channel at the rear of the burner box. Make sure it is level and does not rock. Light all of the burners and check that the flame is blue, stable and even. If adjustments are necessary, refer to page 18. Complete these adjustments prior to cooking.

Side burners (BH1-48RS model)

For proper lighting and performance keep the burners clean. It is necessary to clean the burners if they do not light even though the electrode clicks, if there has been a severe boil over, or when the flame does not burn blue. Be certain all control knobs are in the off position before attempting to clean the burners. The burners have been designed for ease in cleaning. When the grates and burners are cool, remove the grate. The burner cap and the brass port ring can easily be lifted off. Wash these parts in hot soapy water, rinse and dry thoroughly. The burner caps are porcelain enamel. A bristle brush can be used to clean out the toothed burner ports, if necessary. After cleaning, it is important to make sure the location pins on the bottom side of the port ring are properly aligned with the corresponding holes in the base. Incorrect alignment will produce a potentially dangerous flame and poor burner performance (see Fig. 31).

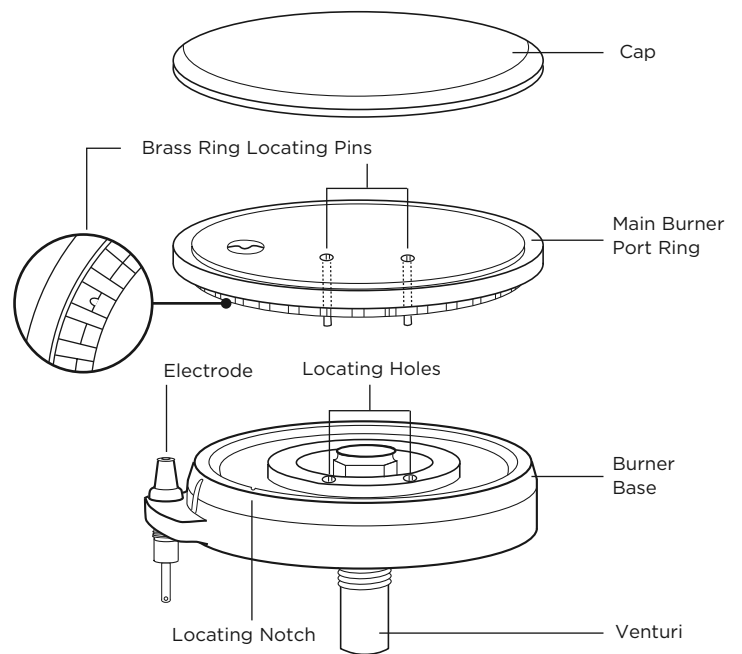


FIG. 31

Smoker burner

The smoker burner can be removed and cleaned by unplugging the electrode wire and lifting out the burner. Cleaning is similar to the grill burner. Replace the burner by sliding the air shutter over the brass orifice, centering it in the hole.

Before calling for service

If the grill does not function properly, use the following checklist before contacting your dealer for service. You may save the cost of a service call. Troubleshooting is for general purposes only. If the problem persists and you feel you require service, contact your dealer or the nearest authorized agency to perform service. Only authorized agencies can perform warranty service. Contact DCS at www.dcsappliances.com

PROBLEM	WHAT TO DO
Grill won't light when the burner knob is pushed.	<ul style="list-style-type: none"> • Check the gas supply is on. • Ensure the grill is cool. Remove the grill top grates and the ceramic radiant trays, watch the electrode tip. You should see a spark jump from the tip of the ignition when the burner knob is pushed in. • If there is no spark when burner knob is pushed in, check the battery condition. Battery condition should be checked at least once a year. • Attempt to match light the burner (see page 21, 22 & 32). Check to see that other burners on the unit operate. Clean electrode tip of any debris.
Burner flame is yellow or orange, in conjunction with the odor of gas.	<ul style="list-style-type: none"> • Check the burner inlet for obstructions such as spider webs. Check the air shutter for proper adjustment. • Grill may be in a dusty area. Move to less dusty area if possible.
Low heat with knob in "HI/SEAR" position.	<ul style="list-style-type: none"> • If only one of the burners appears low, clean the orifice and burner, clearing ports of any obstruction (see page 35). • Grill may be in a dusty area. Move to less dusty area if possible. • Check for proper gas supply and pressure. • Pre-heat grill for a full 15 minutes. • If using LP gas, check for empty tank.
Rotisserie won't light.	<ul style="list-style-type: none"> • Check the gas supply is on. • Check there is a spark at the electrode. • Check the rotisserie burner lights when attempting to light with a butane lighter.
Rotisserie lights, but will not hold flame once button is released.	<ul style="list-style-type: none"> • Continue holding safety valve button in depressed position until burner remains lit when released.
Sear burner flames appear to be yellow and off surface, or a portion of the tile surface is not glowing red anymore.	<ul style="list-style-type: none"> • Turn sear burner onto MAX and close lid allowing heat to build up and burn fats out of ceramic • For salts and food particles, gently vacuum the surface of the burner.

WARRANTY AND SERVICE

How to obtain service

For warranty service, please contact your local service provider or through our website www.dcsappliances.com. Please have the following information:

- Model number (can be found on the inside, right side panel behind the drip pan handle. See page 20).
- Serial number (can be found on the inside, right side panel behind the drip pan handle. See page 20).
- Code (can be found on the inside, right side panel behind the drip pan handle. See page 20).
- Date of installation.
- A brief description of the problem.

Your satisfaction is of the utmost importance to us. If a problem cannot be resolved to your satisfaction, please write or email us at:

Write

Fisher & Paykel Appliances Inc.
Attention: DCS Customer Care
695 Town Center Drive, Suite 180
Costa Mesa, CA 92626-1902 USA

Email

customer.care@fisherpaykel.com

Complete and keep for safe reference:

Model	_____
Serial No.	_____
Purchase Date	_____
Purchaser	_____
Dealer	_____
City	_____
State	_____
Zip	_____
Country	_____

WWW.DCSAPPLIANCES.COM

© Fisher & Paykel Appliances 2022. All rights reserved.

The models shown in this guide may not be available in all markets and are subject to change at any time. The product specifications in this guide apply to the specific products and models described at the date of issue. Under our policy of continuous product improvement, these specifications may change at any time.

For current details about model and specification availability in your country, please go to our website or contact your local Fisher & Paykel dealer.

© Fisher & Paykel Appliances 2022. Tous droits réservés.

Les modèles illustrés dans ce guide peuvent ne pas être disponibles dans tous les pays et sont sujets à modifications sans préavis. Les caractéristiques de produit présentées dans ce guide s'appliquent aux modèles et produits spécifiques qui y sont décrits à la date de publication. Dans le cadre de notre politique d'amélioration en permanence de nos produits, ces caractéristiques peuvent être modifiées à tout moment. Pour les plus récentes informations sur la disponibilité des modèles et des caractéristiques dans votre pays, veuillez visiter notre site

Web ou contacter votre détaillant Fisher & Paykel local.

590836F 11.22