

## 36" Grill with Infrared Sear Burner, Natural Gas

Series 7

Stainless Steel | Natural gas

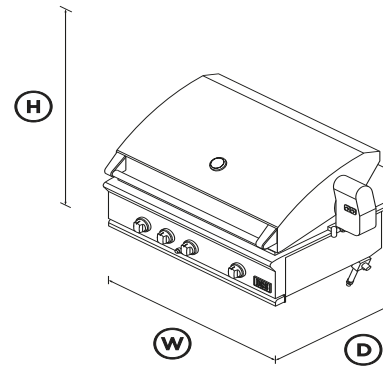


This Series 7 built-in 36" grill is designed for premium outdoor kitchens and will take your outdoor cooking experience to the next level.

- Infrared sear burner for incredibly fast searing up to 24,000 BTU/hr
- Cater for a crowd with the secondary cooking surface
- Build into an outdoor BBQ island, or add a cart for a freestanding grill
- U-burners deliver 25,000 BTU/hr total power per burner with precise heat control from 300°F to 1100°F

### DIMENSIONS

Height	24 1/4"
Width	35 7/8"
Depth	26 5/8"



### FEATURES & BENEFITS

#### THE PERFECT SEAR

A dedicated searing zone with a dynamic infrared burner allows you to experience a new level of versatility, using a range of cooking methods. The improved dual rail design offers increased control and faster heating, so you can achieve the perfect sear every time.

#### SMART BEAM™ GRILL LIGHT

A halogen light is designed to illuminate the entire cooking surface, ideal for night-time grilling.

#### HEAVY-DUTY INFRARED ROTISSERIE

An infrared rotisserie burner provides controlled searing heat up to 14,000BTU. Perfect for entertaining, the heavy-duty motor can easily turn a 50lb load. The rotisserie rod is conveniently stored under the drip pan handle.

#### TEMPERATURE GAUGE

Designed for monitoring internal air temperature, the temperature gauge lets you know exactly how hot the grill is - perfect for cooking pizzas or preparing roast meals.

#### DUAL-SIDED GRATE

One side has a gentle radius for handling delicate foods, such as chicken, fish and vegetables. The other side is W-shaped for perfect sear lines while channeling oil away to an easily removable drip tray.

#### EXTRA COOKING AREA

Effortlessly cook for a crowd with a secondary cooking space. You can fit a grill pan for slow cooking, roasting and making sauces, or to keep food warm after searing.

#### GREASE MANAGEMENT SYSTEM™

Our Grease Management System™ reduces flare-ups by channelling grease and oils away from the burner flames during grilling.

### SPECIFICATIONS

#### Accessories (sold separately)

6" accessory storage	ASH6-36
Built-in grill cover	ACBI-36
Griddle plate	BGC-GP
Insulated jacket	BGA36-IJS (optional)
Insulated jacket (with storage)	BGA42-IJS (optional)
On cart grill cover	ACC-36
Optional cart mount	CAD1-36

### Burners

Number of U-burners	2
Sear burner zone	•

### Cooking Surface Area

Primary cooking area	630sq.in.
Total cooking area	871sq.in.
Warming rack area	241sq.in.

### Features

Double sided Stainless Steel	•
Full surface searing	•
Grease management system™	•
Hood temperature gauge	•
Ignition system	Spark
Metal dials	•
Rotisserie	•
Warming rack	•
Wireless temperature sensor	•

### Finish

Material	304 grade stainless steel
Weather resistant	•

### Gas Requirements

1/2" NPT male with 3/8" in flare	•
Gas type	NG
Operational pressure	4" W.C.
Supply Pressure	6" to 9" W.C.

### Installation Dimensions

Cutout depth (proud)	22 3/4"
Cutout height (proud)	10 1/8"
Cutout width (proud)	34 1/2"
Insulated jacket for proud cut-	Varies - check manual

### Performance

Rotisserie burner power	14000 BTU
Sear burner power	24000 BTU
Total Power	88000 BTU
U-burner power	25000 BTU
Weight rotisserie can handle	50lbs

### Power requirements

Grill power supply	9V Battery for Ignition
Rotisserie power supply	120V 60Hz

### Product dimensions

Depth	26 5/8"
Height	24 1/4"
Width	35 7/8"

SKU	71599
-----	-------

The product dimensions and specifications in this page apply to the specific product and model. Under our policy of continuous improvement, these dimensions and specifications may change at any time. You should therefore check with Fisher & Paykel's Customer Care Centre to ensure this page correctly describes the model currently available. ? DCS by Fisher & Paykel Appliances Limited 2020

### Other product downloads available at [dcsappliances.com](http://dcsappliances.com)

- ↓ Service and Warranty
- ↓ Installation & User Guide EN / Guide d'installation et guide d'utilisation FR
- ↓ Guide d'installation
- ↓ Installation Guide
- ↓ Data Sheet

### A PEACE OF MIND SALE

24 Hours 7 Days a Week Customer Support  
 T 1.888.936.7872 W [www.dcsappliances.com](http://www.dcsappliances.com)