

# creative living!



LAUNDRY | 2009 EDITION

*Fisher & Paykel*

## AQUASMART™ LAUNDRY

### AQUASMART™ CLOTHES WASHER

#### Saves water



Save up to 30 gallons of water with every load\*. *AquaSmart™* exceeds ENERGY STAR® requirements by 144% and is rated CEE Tier III.

#### Saves time



Auto water level and load sensing technology reduces wash times. 1000 RPM spin speed reduces drying time by 30%\*.

#### Saves money



Save water and energy to protect your clothing. The low profile agitator washes your clothes more gently than traditional washers.

### AEROSMART CLOTHES DRYER

#### Extra large capacity



A 6.2 cu.ft capacity makes it the world's first large capacity dryer resulting in fast dry times.

#### Self clean lint filter



No messy lint filter to clean – lint is deposited automatically into a lint bucket maximizing dryer airflow and gently speeds up drying.

#### Reverse tumbling



Reduces tangling so large items are dried evenly and quickly.

\*Compared to a pre-2004 conventional washer.

# AQUASMART™ CLOTHES WASHER



	WL37T26CW2 AquaSmart™	WL37T26DW2 AquaSmart™	WL37T26KW2 AquaSmart™
Capacity of dry load cu.ft (IEC)	3.7	3.7	3.7
<b>Features:</b>			
Direct Drive motor	✓	✓	✓
Load sensing	✓	✓	✓
Wash profile	Unlimited	Unlimited	Unlimited
LCD display	✓	-	-
LED display	-	✓	✓
Three spin speeds (330, 670, 1000 rpm)	✓	✓	✓
<b>Wash Cycles:</b>			
Regular (High Efficiency)	✓	✓	✓
Heavy Duty (High Efficiency/Conventional)	✓	✓	✓
Delicate (High Efficiency/Conventional)	✓	✓	✓
Sheets (Conventional)	✓	✓	✓
Whites (High Efficiency/Conventional)	✓	✓	✓
Colors (Conventional)	✓	-	-
Easy Iron (Conventional)	✓	✓	✓
Bulky (Conventional)	✓	✓	✓
Rinse and Spin (High Efficiency/Conventional)	✓	✓	✓
Spin Only	✓	✓	✓
19 Lifestyle cycles*	✓	-	-
<b>Wash Modes:</b>			
High Efficiency	✓	✓	✓
Conventional Immersion	✓	✓	✓
<b>Wash Features:</b>			
Auto water level	✓	✓	✓
Water temperature controls**	6	6	6
Rinse options***	5	4	4
Spin hold option/drip dry	✓	✓	✓
Soak option	✓	✓	✓
Delay start – minutes	15, 30	-	-
– hours	1-10,12,15,18	-	-
Lid lock	✓	✓	✓
Auto out of balance correction	✓	✓	✓
Detergent dispenser	✓	✓	-
Fabric softener dispenser	✓	✓	-
Liquid bleach dispenser	✓	✓	-
Adjustable alert beeps	✓	✓	✓
Stainless steel tub	✓	✓	✓
<b>Consumption Data:</b>			
Energy rating kWh/yr	175	175	175
ENERGY STAR®	✓	✓	✓
CEE Tier III	✓	✓	✓
<b>Limited 1 Year Parts and Labor Warranty:</b>			
✓	✓	✓	✓
<b>Product Dimensions (inches):</b>			
Overall height of product	40 1/8	40 1/8	40 1/8
Overall width of product	25 1/2	25 1/2	25 1/2
Overall depth of product	25 1/2	25 1/2	25 1/2
Overall height of product (with lid open)	55 1/2 – 56 3/4	55 1/2 – 56 3/4	55 1/2 – 56 3/4

\* 19 Lifestyle cycles: Handwash, Wool, Jeans, Chocolate, Tomato, Blood, Grass, Fruit, Wine, Comforter, Allergy, Hygiene, Diaper Rinse, Soft Toys, Sweaty, Muddy, Sports Shoes, Beach Gear, Clean up

\*\* Cold/Controlled Cold/Warm-Cold/Warm-Hot/Hot

\*\*\* Aqua/Aqua-Deep/Double-Deep/Aqua-Plus/Allergy

Fisher & Paykel Appliances  
www.fisherpaykel.com  
www.fisherpaykel.ca  
FPBR0366 October 2009

Copyright © Fisher & Paykel 2009. All Rights Reserved.  
The product dimensions and specifications in this brochure apply to the specific products and models described at the date of issue. Under our policy of continuous product improvement, these dimensions and specifications may change at any time. You should therefore check with your dealer or Fisher & Paykel's Customer Care Center to ensure this brochure correctly describes the products currently available.

**Important Notice of Disclaimer**  
Our brochure contains information on a wide subject of products which we manufacture and / or sell internationally. Some particular products, models or sizes which are detailed in this brochure may not be available for sale and purchase in your area or country, if available the product may have different options to those depicted in the brochure. Before agreeing to purchase a particular product by reference to this brochure please check its availability and accuracy of its description.

# AEROSMART CLOTHES DRYER



	DE27CW1/ DG27CW1 AeroSmart	DE62T27DW1/ DG62T27DW1 AeroSmart
Capacity of dry load cu.ft	6.2	6.2
<b>Features:</b>		
18 Lifestyle cycles*	✓	-
LCD display	✓	-
LED display	-	✓
Moisture sensing	✓	✓
Time dry	✓	✓
Dryness settings**	5	5
Temperature settings***	4	4
24hr Wrinkle Free cycle	✓	✓
Reverse tumbling to prevent tangling	✓	✓
Self cleaning filter	✓	✓
Lint bucket	✓	✓
Time Dry 20, 40, 80 mins	✓	✓
Lid lock	✓	✓
End of cycle signal	✓	✓
Stainless steel inside	✓	✓
Installation options	✓	✓
Venting options	Rear	Rear
Natural gas to LP conversion kit available****	✓	✓
<b>Limited 1 Year Parts and Labor Warranty:</b>		
✓	✓	✓
<b>Product Dimensions (inches):</b>		
Overall height of product	40 1/8 – 41 1/8	40 1/8 – 41 1/8
Overall width of product	27	27
Overall depth of product	27 9/16	27 9/16
Overall height of product (with lid open)	56 5/16	56 5/16

\* 18 Lifestyle cycles – Hand Wash, Jeans – Work Wear, Jeans – Fashion Wear, Freshen Up, Warm Up, Dry Clean, Comforter – Synthetic, Comforter – Feather, Pillows – Synthetic, Pillows – Feather, Allergy, Shirts, Towels, Soft Toys, Sports Wear – Light, Sports Wear – Heavy, Outdoor Wear, Protection Equipment.

\*\* Damp/Damp-Dry/Dry/Dry-Extra Dry/Extra-Dry

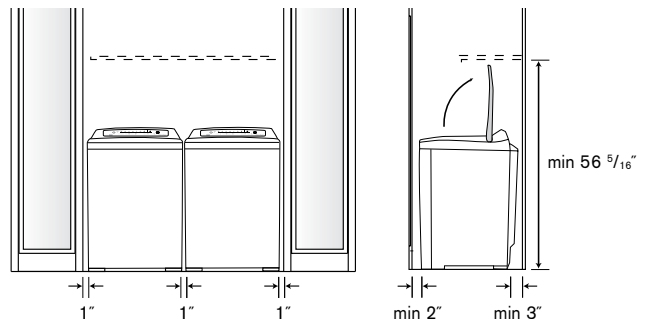
\*\*\* Air Dry/Low Heat/Medium Heat/Hot Heat

\*\*\*\* Natural Gas to LP conversion kit part number 395489

## Installation options:

### Cupboard or Alcove

The dryer can be located in a cupboard or alcove and positioned next to a clothes washer. Minimum clearances are required.



### Exhaust outlet location

These are dimensions looking at the back of the dryer. When looking at the wall to cut the duct hole, dimensions will be the mirror image of these.

